

**Gas Detector
IR 220 CO₂**

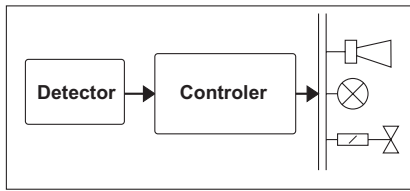


Data Sheet

**Gas Measurement and
Warning Systems**



Application / Design



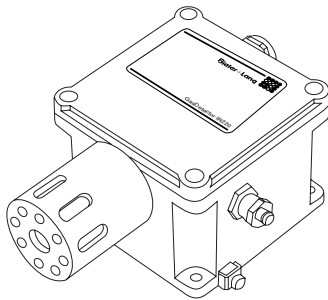
The sensor in Gas Detector IR 220 CO₂, in combination with an evaluation system, has the following functions:

- Measurement and display of the current CO₂ concentration
- Monitoring or warning of the presence of this gas.
- Monitoring of unintended leakage in order to avoid downtime and protect the environment.
- Protecting the health and safety of personnel.
- Initiation of protective measures:
 - Technical: actions to counter an increase in concentration (ventilators; switching equipment off...).
 - Organisational: visual and acoustic signals.

A gas detection and alarm system consists of the following components:

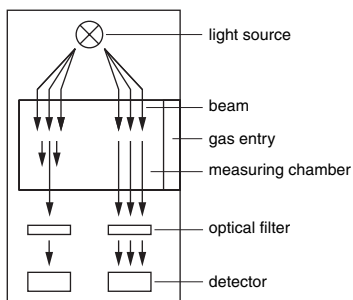
- Sensor
- Evaluation system
- Controllable devices such as ventilators, warning signs and solenoid valves

Product features



- Gases detected:
 - Detection of CO₂ at ppm-levels with a high degree of gas selectivity
- Measurement range:
 - Sensor type CO2-10k: 0 ... 10,000 ppm (1 vol%)
 - Sensor type CO2-20k: 0 ... 20,000 ppm (2 vol%)
 - Sensor type CO2-50k: 0 ... 50,000 ppm (5 vol%)
- Measurement principle: NDIR (non-dispersive infra-red)
- Long useful life of the sensor
- Low influence of temperature and relative humidity
- High accuracy and repeatability
- High resistance to chemical poisons
- Linear 4 ... 20 mA measurement signal
- Integrated switched outputs for:
 - Alarm 1 (pre-alarm)
 - Alarm 2 (main alarm)
 - Sensor fault
- One-person calibration (optional operating unit)

Measurement principle NDIR gas sensor



The NDIR sensor consists of a light source, optical band filters, and detectors. The light source emits a pulsing wide-band spectrum. The radiation crosses the measurement chamber. The substance being measured enters the chamber by diffusion.

Some gases have the property of reducing the intensity of radiation in certain, limited wave-length ranges (infra-red). Two detectors are mounted at the end of the radiation path. There are two optical band filters upstream of the detectors. The transmission bands of these filters are chosen to suit the gas being measured.

The pass-band of the reference filter is restricted to the wave-length range that is not absorbed by the sample gas. The detector filter permits passage of the spectrum that the gas can absorb. The linearisation algorithm determines the concentration of the gas being measured from the recorded difference between the measurement detector and its compensation detector. An additional temperature measurement compensates for ambient temperature effects.



How it works

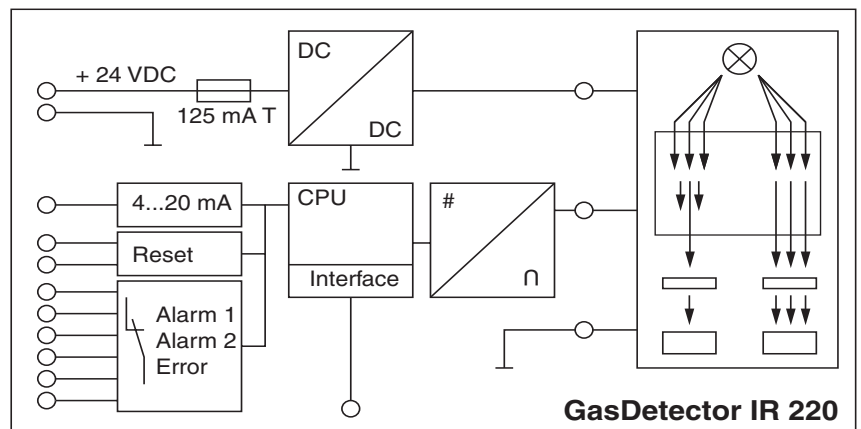
The sensor in Gas Detector IR 220 uses NDIR (Non Dispersive Infra-red) technology to monitor the presence of refrigerant. The IR sensor is equipped with its own electronics and firmware to provide a linearised and temperature compensated output. This output signal is converted into a 4mA ... 20mA current signal.

The Gas Detector IR 220 can be programmed to use either of two operating modes:

- **Standalone**
The integrated alarm evaluation is activated. Two alarm stages with switching hysteresis can be programmed. Alarm stage 1 (pre-alarm) switches non-saving NC contacts, and Alarm stage 2 (main alarm) switches saving NC contacts. When the signal falls below this alarm threshold, the alarm remains activated and must be acknowledged with a reset input. A pair of fault message contacts signal a malfunction, including when the measurement range is exceeded. In addition, the reading is provided as a 4 ... 20 mA current signal output for further processing.
- **Transmitter CL**
If the alarm evaluation function is not required, the sensor can be operated using the integrated CL option. In this case, the sensor provides the measured gas concentration as a 4 ... 20 mA current signal for further processing in an alarm control centre; the alarm switching contacts are then inoperative.

The optionally available Type CB02 operating unit with its software stick, can be used for programming operating parameters, and adjusting the measurement sensor.

Block wiring diagram



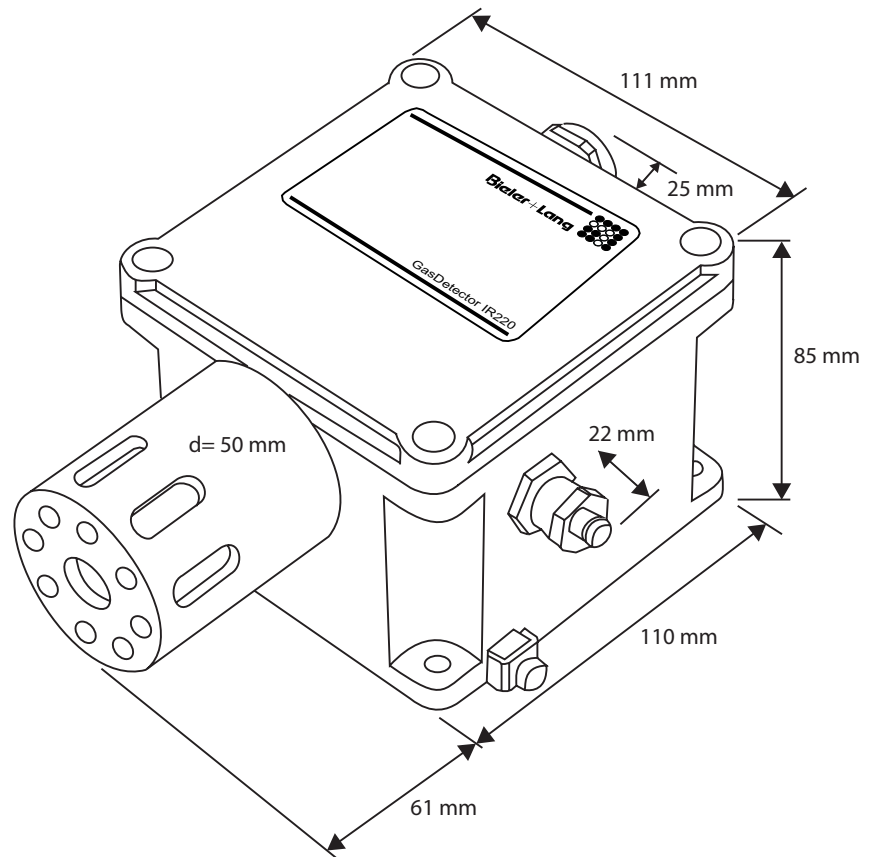

Technical data
General

	Gas Detector IR 220 CO ₂		
Sensor type	CO2-10k	CO2-20k	CO2-50k
Application	Wall mounting		
Gas measured:	CO ₂ (carbon dioxide)		
Measurement range	0 ... 1 vol% 0 ... 10.000 ppm	0 ... 2 vol% 0 ... 20.000 ppm	0 ... 5 vol% 0 ... 50.000 ppm
Measurement principle	NDIR (dual beam technology)		
Response time T90	≤ 60 s		
Warm-up time	≤ 60 s		
Max. flow speed	6 m/sec		
Temperature range	-20 ... +50 °C		
Atmospheric pressure range	800 ... 1200 hPa		
Humidity	0 ... 95% non-condensing		
Storage	Temperature: -40 ... +85 °C Atm. pressure: 800 ... 1200 hPa Humidity: 0 ... 95% non-condensing		
Short-term stability	±1% of measurement range		
Accuracy *	±1% of range for measurements below 25 % ±2% of range for measurements below 50 % ±5% of range for measurements above 50 %		
Resolution	0.2% of measurement range		
Long-term stability of zero setting	±2% of measurement range / year		
Temperature	±3% of range for measurements below 50 % ±5% of range for measurements above 50 %		
Pressure	0.1 % ... 0.2 % of display per hPa		
Warm-up time	Reaches operating mode after 60 s full accuracy ≤ 60 min @ 25 °C		
Expected useful life (sensor)	> 4 years		

Mechanical data

	Gas Detector IR 220 CO ₂
Degree of protection (housing)	IP54
Housing material	Sensor: stainless steel / plastic (POM) Housing: aluminium
Weight	ca. 1350 g
Cable entry	1) 1 cable gland for cable 6-10 mm dia. 2) 1 blanking plug M16
Terminals	0.5 ... 2.5 mm ² (w/o. cable-end sleeves) 0.5 ... 1.5 mm ² (with cable-end sleeves)

Mechanical data



**Technical data
Installation**

	Gas Detector IR 220 CO ₂
Field interface	4 ... 20 mA Maximum safe voltage Um=250V
Power supply voltage (at sensor terminals)	18 ... 28 VDC SELV / PELV Integrated pre-fusing 125 mA Maximum safe voltage Um=250V
Switch contacts	All are NC contacts (failsafe), max. 28 VDC SELV/PELV, integrated pre-fusing 200 mA - Alarm 1 (pre-alarm) Free within measurement range - Alarm 2, saving (main alarm) Free within measurement range - Fault
Reset input	18 ... 28 VDC, potential-free
Max. cable length	200 m (dependent on cable type)
Connection lead	3 active conductors plus shield preferably H05VVC4V5-K
Suitable evaluator units	GMC 8022, GMC 8022E, GMC 8364, GMC 8420
Current draw	75 mA @ 24VDC integrated pre-fusing 125 mA

**Accessories**

- Test gas set
 - Calibration gases
 - Operating unit, Type CB02
-

Service

Everything from a single supplier - from project planning to installation of your new Gas Detection and Alarm System. Our comprehensive marketing and service network is your guarantee. And after your purchase our service technicians are always ready with advice and assistance.

Bieler + Lang GmbH
Gas Measurement and Warning Systems

PO Box 1129, D-77842 Achern
Von-Drais-Str. 31, D-77855 Achern

Telephone +49 (0) 7841 6937-0
Telefax +49 (0) 7841 6937-99
Email info@bieler-lang.de

Internet www.bieler-lang.de

Technical status: 07/2020
We reserve the right to make technical changes!

Les services d'EURO-INDEX

EURO-INDEX fournit des services pour tous les instruments de sa gamme de fournitures et offre des services, de la connaissance et du personnel hautement qualifié pour l'entretien (préventif), la réparation et le calibrage de vos instruments de mesure.

Centre de Service Agréé.....

EURO-INDEX est un Centre de Service Agréé pour toutes les marques représentées.

Autrement dit, vos instruments sont traités par du personnel formé et compétent, qui dispose des outils et logiciels adéquats. Seules des pièces d'origine sont utilisées et la garantie de votre instrument ainsi que la certification (ATEX, EN50379, etc.) restent valables.

Laboratoire de maintenance et de calibrage

EURO-INDEX dispose d'un laboratoire de maintenance et de calibrage particulièrement moderne, titulaire d'une accréditation conforme à la norme NEN-EN-ISO/IEC 17025. Cette accréditation est valable pour différentes grandeurs, telles que spécifiées dans le champ d'application associé au numéro d'accréditation K105.



MQS®

MQS est une formule d'entretien exclusive comportant un entretien et un calibrage périodiques de vos instruments de mesure. La prise en charge de multiples aspects vise à vous libérer de tout souci lors de l'utilisation de vos instruments de mesure. Les coûts sont modiques et prévisibles.

Accès numérique à vos certificats de calibrage avec Mon MQS

Mon MQS est un portail Web qui vous donne accès partout et à tout moment à vos certificats de calibrage et aux documents apparentés.

Location d'instruments de mesure

- Vaste assortiment
- Conseils avisés
- Les instruments sont livrés avec leurs accessoires et leurs certificats de calibrage traçables

EURO-INDEX Academy

- Formations sur les produits (individuelles et collectives)
- Séminaires
- Vidéos de démonstration et d'instruction

Visionnez la vidéo sur notre chaîne YouTube et découvrez tout ce qu'il vous faut savoir sur MQS



Guichet des services



Calibrage de l'analyse de gaz de combustion



Séminaires et ateliers



Calibrage de la thermographie

Sous réserve de modifications EURO-INDEX® FR 18001

Le nom et la marque Bluetooth® sont la propriété de Bluetooth SIG Inc. L'utilisation de ce nom par EURO-INDEX s'effectue sous licence.



BELGIQUE
Leuvensesteenweg 607
1930 Zaventem
T: 02 - 757 92 44
F: 02 - 757 92 64
info@euro-index.be
www.euro-index.be

PAYS-BAS
Rivium 2e straat 12
2909 LG Capelle a/d IJssel
T: +31 - (0)10 - 2 888 000
F: +31 - (0)10 - 2 888 010
verkoop@euro-index.nl
www.euro-index.nl



Portée accréditée
voir www.rva.nl