

Thermal mixing valves ATM

Optimum handling and security: Control knob with dual scale and sealable cap.



NEW



Your benefits

- + High accuracy, fast response
- + With integrated scald protection
- + Adjustment of temperature of mixed water via °C or scale indication
- + Cap with window and scale, can be lead-sealed
- + Alternative adjustment via 7 mm hexagon socket if space is limited
- + Maintenance-free
- + Ideal for sanitary applications and smaller underfloor heating circuits

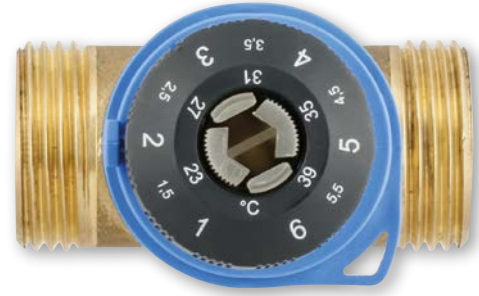
Application

Universal units for controlling hot water in sanitary applications or for smaller underfloor heating circuits which are directly connected to the flow (max. 60 °C). Also for panel heating systems such as wall or underfloor heating

systems which require a constant mixed water temperature to avoid damage to floors and pipes. Suitable for drinking water or water with up to 50 % glycol.

Description

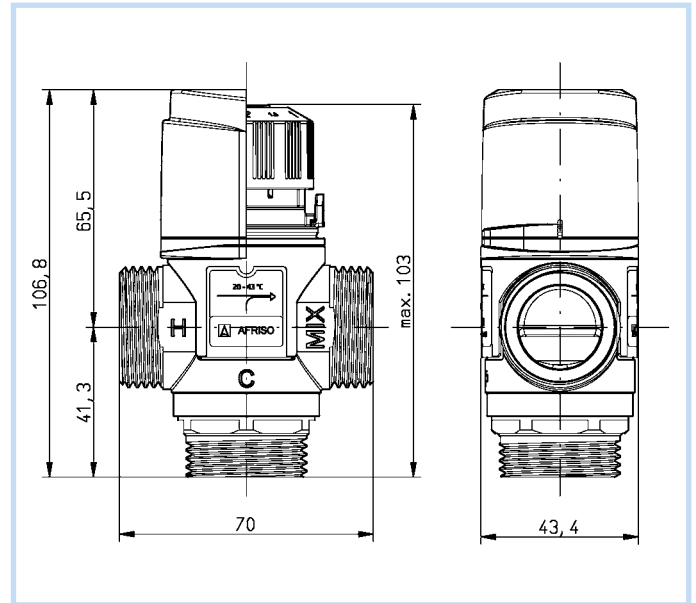
Thermal mixing valve as per EN 1111 with base made of brass and cap and control knob made of high-strength plastic. With temperature scale (20/43 °C or 35/60 °C) for easy adjustment of the temperature of the water to be mixed. A cap protects the control knob against improper operation; it can be lead-sealed to help prevent unwanted adjustments. The adjusted scale value (1–6) is visible through a window in the cap. If space is limited and the control knob cannot be used, adjustments can also be made via the integrated 7 mm hexagon socket. If the cold water supply is interrupted, the mixing valve automatically closes the hot water supply to protect against scalding. ATM is maintenance-free.



Handling has never been easier: The fitter can rapidly adjust the desired temperature of the mixed water in °C by means of the dual scale; later on, only the adjusted scale value (1 – 6) is visible through the window in the cap.

Technical specifications

Operating temperature range	Medium: Max. 90 °C (short-term 110 °C)
Nominal pressure	Max. 10 bar
Flow rate	Flow coefficient 1.6 m³/h or 2.5 m³/h
Accuracy	± 2 °C (EN 1111)
Material	Housing: Brass (CW626N), dezincification-resistant Upper part: Plastic (ABS) Control knob: Plastic (ABS) Seals: EPDM
Connection	Male or female threads (see table)



Your dealer

Ident-Nr. 991517_06823_03/17

Version	DN	Flow coefficient value	Connection	Temperature	Part no.
ATM 341	15	1.6 m³/h	G¾ male thread	20 / 43 °C	151713VAP
ATM 343	15	1.6 m³/h	G¾ male thread	35 / 60 °C	151703VAP
ATM 331	20	1.6 m³/h	Rp¾ female thread	20 / 43 °C	151723VAP
ATM 333	20	1.6 m³/h	Rp¾ female thread	35 / 60 °C	1517031AP
ATM 361	20	1.6 m³/h	G1 male thread	20 / 43 °C	151713AP
ATM 363	20	1.6 m³/h	G1 male thread	35 / 60 °C	151703AP
ATM 561	20	2.5 m³/h	G1 male thread	20 / 43 °C	151723AP
ATM 563	20	2.5 m³/h	G1 male thread	35 / 60 °C	1517032AP



Technology for Environmental Protection

Measuring. Controlling. Monitoring.



AFRISO