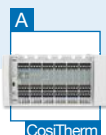


# Compact manifold ProCalida® CC 1 for heating and cooling circuits



- Very compact modular design for application where space is limited
- Flow meter can be cleaned with system pressure present
- Many connection options thanks to intelligent plug-in spigots which allow flow from the side and the bottom
- Temperature indication at each heating circuit for quick check of spread between the flow and return lines
- 100 % tightness-tested and function-tested



**Application** Manifold system for surface heating systems and cooling systems. For distribution of heating and cooling circuit water as per VDI 2035 or of water/glycol mixtures in sealed systems. Suitable for 2 – 12 heating/cooling circuits. Can be extended for 14 circuits with extension kits.

**Description** Robust, very short plastic heating and cooling circuit manifold. The compact manifold features a modular design; standard versions with 2 to 12 heating/cooling circuits are available which can be extended to up to 14 manifold circuits using extension segments. Return with stroke valves for actuators. Return valves with dual O ring seal at the valve axis. Valve disc with O ring seal for permanently reliable closing of the control circuits. Flow with flow meters that can be shut off. Control range flow meter 0.75 to 3.75 l/min with locking as per EN 1264-4. The valves can be shut off and regulated for hydraulic balancing of wall or underfloor heating systems. When the system is shut off, the pre-adjustment is not lost for compliance with EN 1264-4. Windows can be cleaned and replaced with system pressure present. Main connection with plug-in threaded socket and angle G1 male thread. This way, the manifold can be connected from the left, right and from below.

Temperature indication at the shut-off valve (flow) and at the return end of each heating circuit, so that the temperature spread at each heating circuit can be determined at any time. The flow and return lines are equipped with a manual vent and a filling and drain valve. The manual vent can be replaced with a quick air vent.

Very compact wall bracket which allows for various distances between the wall and the manifold. Suitable for standard and height-reduced manifold cabinets. Collisions of heating circuit pipes with valves or actuators at the lower manifold line, as all pipes are connected at the lower end of the manifold. Plastic manifold systems from AFRISO are 100 % tightness-tested and function-tested.

## Technical specifications

### Number of heating/cooling circuits

2 – 12 (can be extended to up to 14 circuits)

### Distance heating/cooling circuit

50 mm

### Medium

Heating circuit water and cooling circuit water as per VDI 2035 (Water/glycol mixtures with an admixture of max. 50 %)

### Test pressure

Max. 6 bar

### Main connection

Threaded socket and threaded angle for plugging into the manifold, G1 male thread (depending on requirements, the connection pieces point to the side or downwards)

### Connection heating/cooling circuit

G $\frac{3}{4}$  male thread, eurocone, suitable for standard compression fittings

### Operating temperature range

Medium: -20/+90 °C at 3 bar  
-20/+80 °C at 4 bar  
-20/+70 °C at 5 bar  
-20/+60 °C at 6 bar

### Wall bracket

Metal wall bracket with rubber damping plate, complies with DIN 4109, suitable for standard and height-reduced manifold cabinets

### Flow meter

Can be shut off and regulated, with pre-adjustable adjustment ring

Range: 0.75 to 3.75 l/min

Flow coefficient Kvs: 1.32 m<sup>3</sup>/h (flow and return combined)

Mounting position: any

### Return valves

Mating thread: M 30 x 1.5 mm male thread

Closing force actuator: > 70 N

Closing dimension: 12 +/- 0.6 mm (open position 15 mm)

Suitable for electro-thermostatic actuators with union nut M30 x 1.5 mm

### Option

- Dynamic return valve Vario-DP for automatic hydraulic balancing
- Extension kit for additional heating circuits

## i

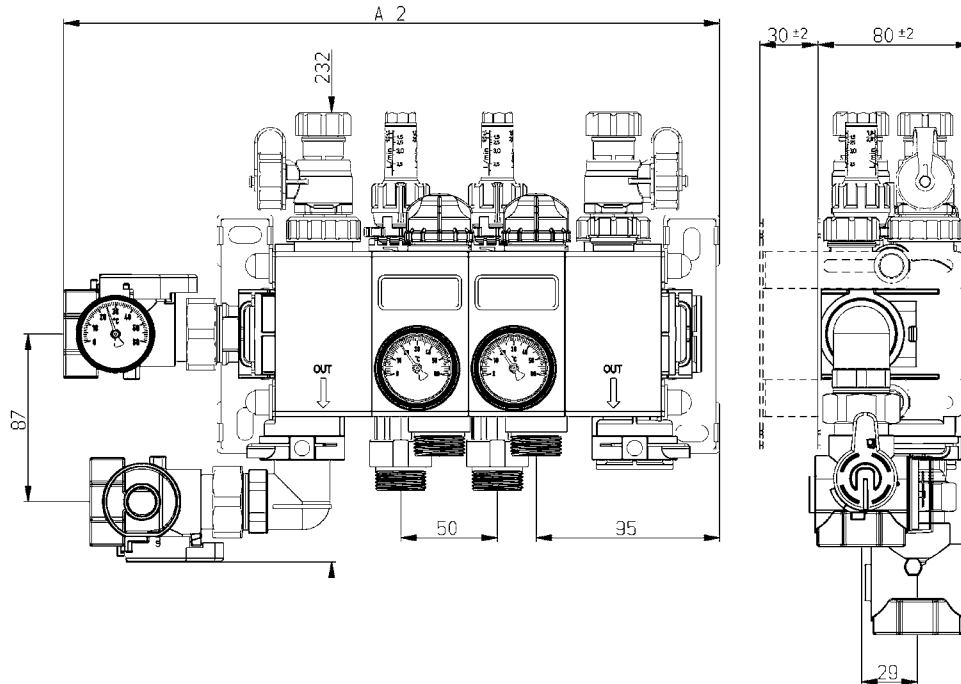
Customised versions (Private Label) available at a lot size of at least 2,000 manifolds per year.

# Compact manifold ProCalida® CC 1 for heating and cooling circuits

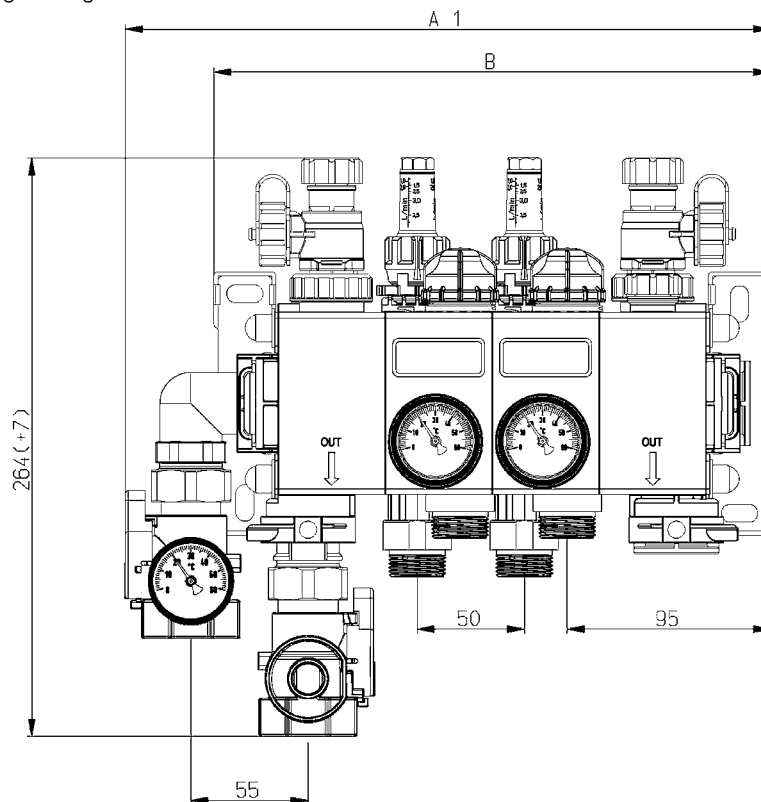


Types and dimensions (mm)

Dimensions with 2 heating/cooling circuits – lateral inlet/outlet



Dimensions with 2 heating/cooling circuits – bottom inlet/outlet



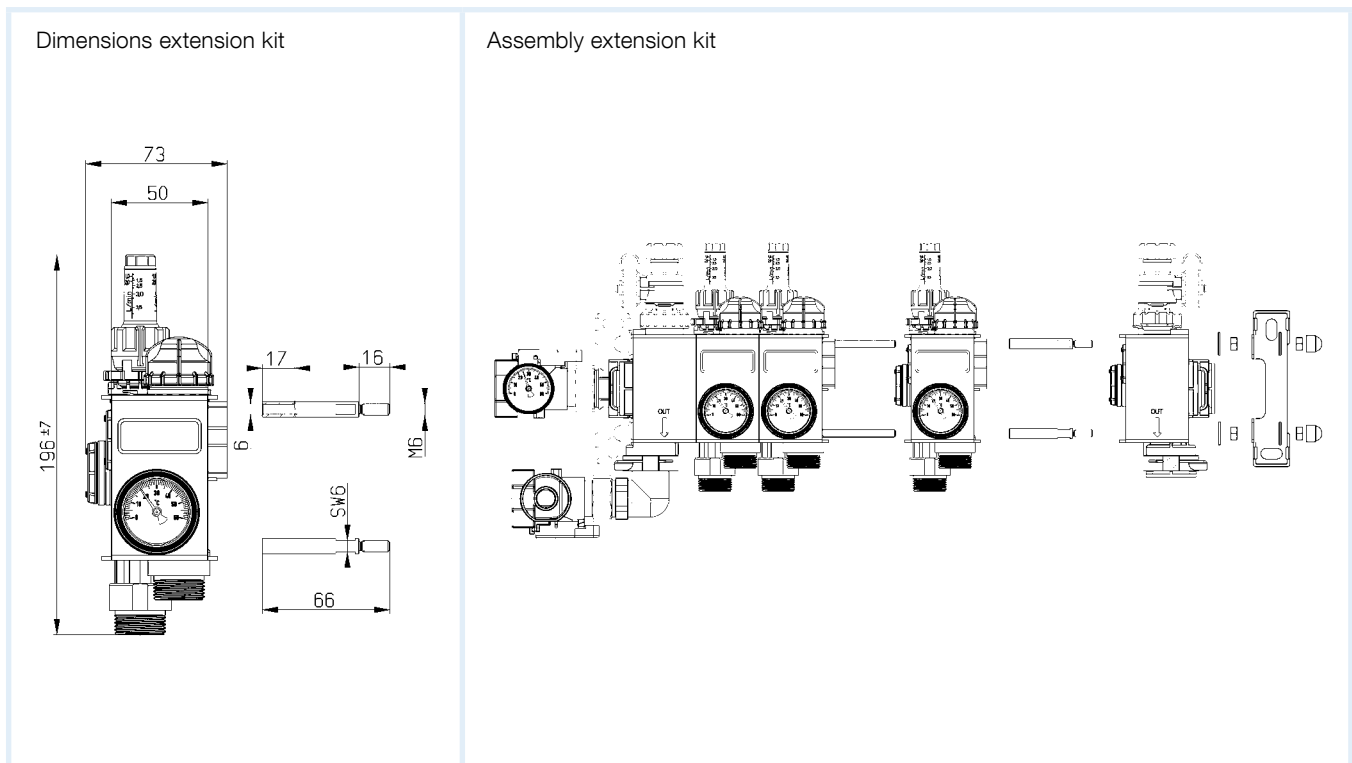
## Dimensions (mm)

| Heating circuits | 2   | 3   | 4   | 5   | 6   | 7   | 8   | 9   | 10  | 11  | 12  | 13  | 14  |
|------------------|-----|-----|-----|-----|-----|-----|-----|-----|-----|-----|-----|-----|-----|
| A 1 in mm        | 304 | 354 | 404 | 454 | 504 | 554 | 604 | 654 | 704 | 754 | 804 | 854 | 904 |
| A 2 in mm        | 340 | 390 | 440 | 490 | 540 | 590 | 640 | 690 | 740 | 790 | 840 | 890 | 940 |
| B in mm          | 260 | 310 | 360 | 410 | 460 | 510 | 560 | 610 | 660 | 710 | 760 | 810 | 760 |

# Compact manifold ProCalida® CC 1 for heating and cooling circuits

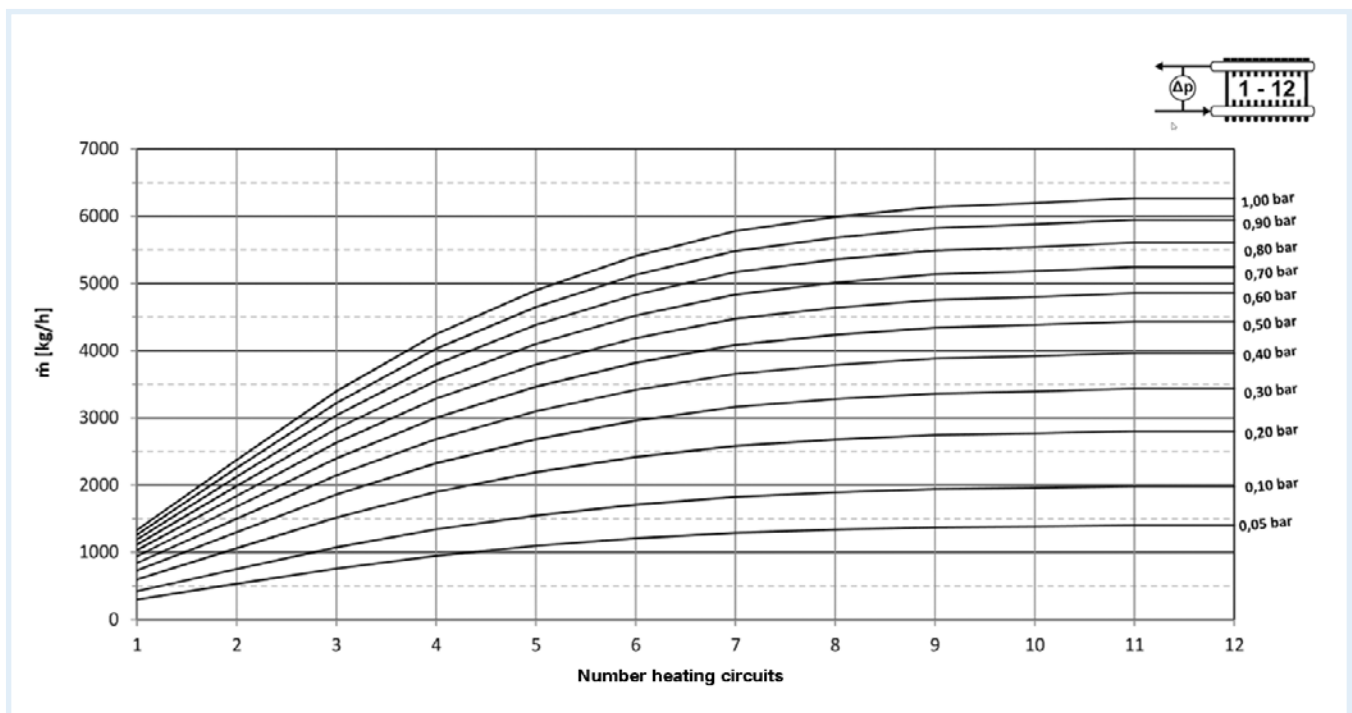


Types and dimensions (mm)



8

Total pressure loss with flow meter



# Compact manifold ProCalida® CC 1 for heating and cooling circuits



|  | Description   | Minimum order quantity* | Dimensions packaging (mm)  |   |    | Part no.     | Price € |
|--|---|-------------------------|--|---|----|--------------|---------|
|  | ProCalida® CC 1 FM 2-HK   | 56                      | 450 x 230 x 110  | 1 | 56 | 81482        |         |
|  | ProCalida® CC 1 FM 3-HK   | 56                      | 450 x 230 x 110  | 1 | 56 | 81483        |         |
|  | ProCalida® CC 1 FM 4-HK   | 56                      | 450 x 230 x 110  | 1 | 56 | 81484        |         |
|  | ProCalida® CC 1 FM 5-HK   | 56                      | 550 x 230 x 110  | 1 | 56 | 81485        |         |
|  | ProCalida® CC 1 FM 6-HK   | 56                      | 550 x 230 x 110  | 1 | 56 | 81486        |         |
|  | ProCalida® CC 1 FM 7-HK   | 40                      | 650 x 230 x 110  | 1 | 40 | 81487        |         |
|  | ProCalida® CC 1 FM 8-HK   | 40                      | 650 x 230 x 110  | 1 | 40 | 81488        |         |
|  | ProCalida® CC 1 FM 9-HK   | 40                      | 750 x 230 x 110  | 1 | 40 | 81489        |         |
|  | ProCalida® CC 1 FM 10-HK  | 40                      | 750 x 230 x 110  | 1 | 40 | 81490        |         |
|  | ProCalida® CC 1 FM 11-HK  | 24                      | 850 x 230 x 110  | 1 | 24 | 81491        |         |
|  | ProCalida® CC 1 FM 12-HK  | 24                      | 850 x 230 x 110  | 1 | 24 | 81492        |         |
|  | Accessories   |                         |  |   |    |              |         |
|  | Extension kit 1 HK  | 20                      | Product package:<br>103 x 70 x 215<br><br>Additional package:<br>465 x 315 x 255 | 1 | 20 | 81481        |         |
|  | Pressure gauge RF 50 for tightness test or permanent pressure indication, wrange 0/10 bar | 10                      | Product package:<br>75 x 50 x 50<br>Additional package:<br>260 x 77 x 106        | 1 | 10 | <b>81276</b> |         |

\* per delivery

i

Number of products/  
kits in cardboard boxNumber of products/  
kits on palette

# Diensten van EURO-INDEX

EURO-INDEX is fabrikant, importeur en distributeur van diverse A-merken op het gebied van test- en meetinstrumenten. Daarnaast leveren wij een groot aantal diensten om het gebruik van deze instrumenten in uw bedrijfsvoering te optimaliseren. Dit omvat uiteraard onderhoud, reparatie en kalibratie van de instrumenten, maar ook kennisdeling via EURO-INDEX Academy en verhuur van instrumenten.

## Geautoriseerd Service Centrum

EURO-INDEX b.v. is van alle vertegenwoordigde merken een Geautoriseerd Service Centrum. Dit betekent dat uw instrumenten worden behandeld door technici die zijn opgeleid door de fabrikant en beschikken over de juiste gereedschappen en software. Er worden uitsluitend originele onderdelen toegepast en de garantie van uw instrument, evenals de certificering (ATEX, EN50379, etc.) blijven intact.

## Kalibratielaboratorium

Het laboratorium in Nederland beschikt over een RvA accreditatie naar EN-ISO/IEC 17025. Deze accreditatie geldt voor grootheden, zoals gespecificeerd in de scope bij accreditatienummer K105. RvA kalibratiecertificaten zijn internationaal geaccepteerd en is gelijkwaardig aan BELAC.



## Mobiele Service

Naast de vaste kalibratielaboratoria in Zaventem en Capelle aan den IJssel beschikken wij ook over een laboratorium op wielen met de naam "Mobiele Service". Dit biedt vertrouwde service en kwaliteit, bij u voor de deur!

## KWS®

KWS® is een uniek servicesysteem voor uw meetinstrumenten met periodiek onderhoud en kalibratie tegen vaste, lage kosten. Via een gratis webportal ([mijnkws.be](http://mijnkws.be)) heeft u altijd en overal beschikking over uw kalibratiecertificaten.

## Verhuur van meetinstrumenten

- Uitgebreid assortiment
- Nauwkeurigheid aantoonbaar door actueel kalibratiecertificaat
- Deskundig advies
- Complete levering inclusief accessoires

## EURO-INDEX Academy

- Trainingen, seminars en workshops
- Demonstratie- en instructievideo's
- Application notes



Servicebalie



Onderhoud, reparatie en kalibratie



Trainingen en seminars



Mobiele Service

Wijzigingen voorbehouden EURO-INDEX® VL 23001



**BELGIË**  
Leuvensesteenweg 607  
1930 Zaventem  
T: 02 - 757 92 44  
F: 02 - 757 92 64  
[sales@euro-index.be](mailto:sales@euro-index.be)  
[www.euro-index.be](http://www.euro-index.be)

**NERLAND**  
Rivium 2e straat 12  
2909 LG Capelle a/d IJssel  
T: +31 - (0)10 - 2 888 000  
F: +31 - (0)10 - 2 888 010  
[verkoop@euro-index.nl](mailto:verkoop@euro-index.nl)  
[www.euro-index.nl](http://www.euro-index.nl)

