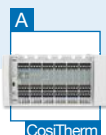


# Compact manifold ProCalida® CC 1 for heating and cooling circuits



- Very compact modular design for application where space is limited
- Flow meter can be cleaned with system pressure present
- Many connection options thanks to intelligent plug-in spigots which allow flow from the side and the bottom
- Temperature indication at each heating circuit for quick check of spread between the flow and return lines
- 100 % tightness-tested and function-tested



**Application** Manifold system for surface heating systems and cooling systems. For distribution of heating and cooling circuit water as per VDI 2035 or of water/glycol mixtures in sealed systems. Suitable for 2 – 12 heating/cooling circuits. Can be extended for 14 circuits with extension kits.

**Description** Robust, very short plastic heating and cooling circuit manifold. The compact manifold features a modular design; standard versions with 2 to 12 heating/cooling circuits are available which can be extended to up to 14 manifold circuits using extension segments. Return with stroke valves for actuators. Return valves with dual O ring seal at the valve axis. Valve disc with O ring seal for permanently reliable closing of the control circuits. Flow with flow meters that can be shut off. Control range flow meter 0.75 to 3.75 l/min with locking as per EN 1264-4. The valves can be shut off and regulated for hydraulic balancing of wall or underfloor heating systems. When the system is shut off, the pre-adjustment is not lost for compliance with EN 1264-4. Windows can be cleaned and replaced with system pressure present. Main connection with plug-in threaded socket and angle G1 male thread. This way, the manifold can be connected from the left, right and from below.

Temperature indication at the shut-off valve (flow) and at the return end of each heating circuit, so that the temperature spread at each heating circuit can be determined at any time. The flow and return lines are equipped with a manual vent and a filling and drain valve. The manual vent can be replaced with a quick air vent.

Very compact wall bracket which allows for various distances between the wall and the manifold. Suitable for standard and height-reduced manifold cabinets. Collisions of heating circuit pipes with valves or actuators at the lower manifold line, as all pipes are connected at the lower end of the manifold. Plastic manifold systems from AFRISO are 100 % tightness-tested and function-tested.

## Technical specifications

### Number of heating/cooling circuits

2 – 12 (can be extended to up to 14 circuits)

### Distance heating/cooling circuit

50 mm

### Medium

Heating circuit water and cooling circuit water as per VDI 2035 (Water/glycol mixtures with an admixture of max. 50 %)

### Test pressure

Max. 6 bar

### Main connection

Threaded socket and threaded angle for plugging into the manifold, G1 male thread (depending on requirements, the connection pieces point to the side or downwards)

### Connection heating/cooling circuit

G $\frac{3}{4}$  male thread, eurocone, suitable for standard compression fittings

### Operating temperature range

Medium: -20/+90 °C at 3 bar  
-20/+80 °C at 4 bar  
-20/+70 °C at 5 bar  
-20/+60 °C at 6 bar

### Wall bracket

Metal wall bracket with rubber damping plate, complies with DIN 4109, suitable for standard and height-reduced manifold cabinets

### Flow meter

Can be shut off and regulated, with pre-adjustable adjustment ring

Range: 0.75 to 3.75 l/min

Flow coefficient Kvs: 1.32 m<sup>3</sup>/h (flow and return combined)

Mounting position: any

### Return valves

Mating thread: M 30 x 1.5 mm male thread

Closing force actuator: > 70 N

Closing dimension: 12 +/- 0.6 mm (open position 15 mm)

Suitable for electro-thermostatic actuators with union nut M30 x 1.5 mm

### Option

- Dynamic return valve Vario-DP for automatic hydraulic balancing
- Extension kit for additional heating circuits



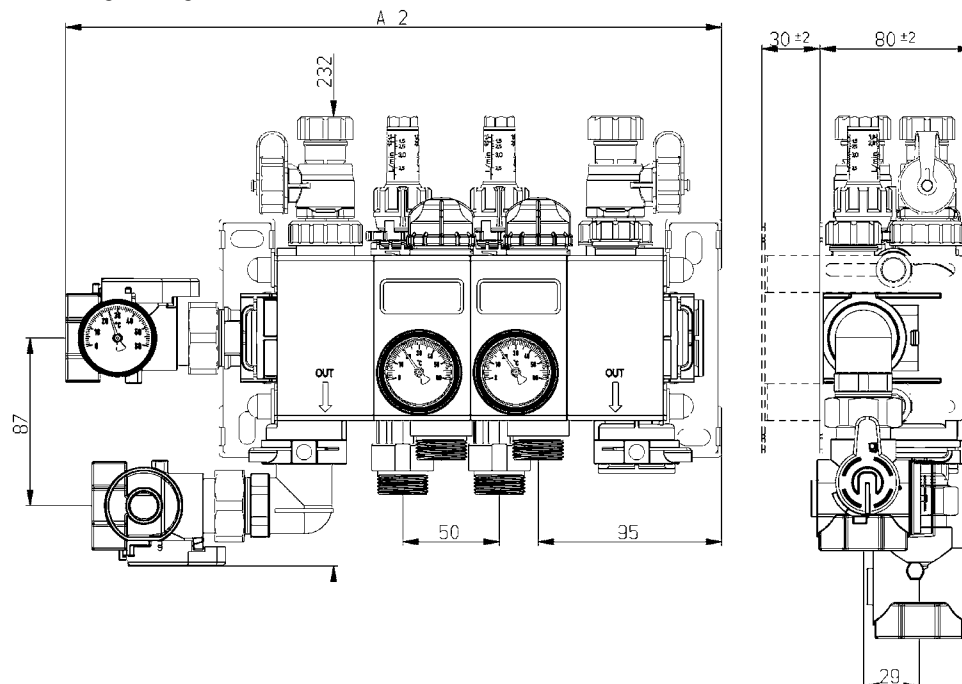
Customised versions (Private Label) available at a lot size of at least 2,000 manifolds per year.

# Compact manifold ProCalida® CC 1 for heating and cooling circuits

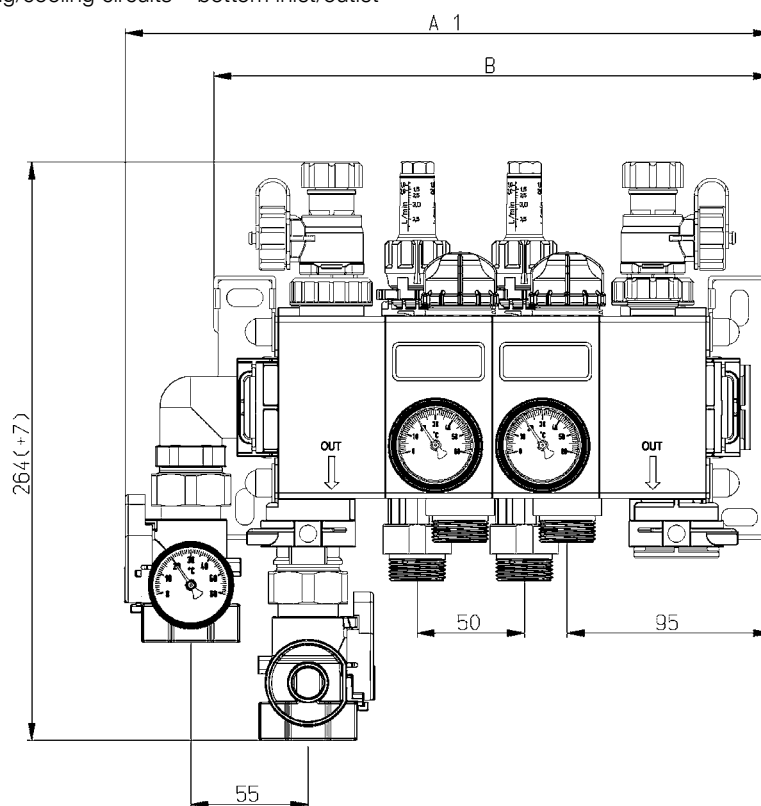


Types and dimensions (mm)

Dimensions with 2 heating/cooling circuits – lateral inlet/outlet



Dimensions with 2 heating/cooling circuits – bottom inlet/outlet



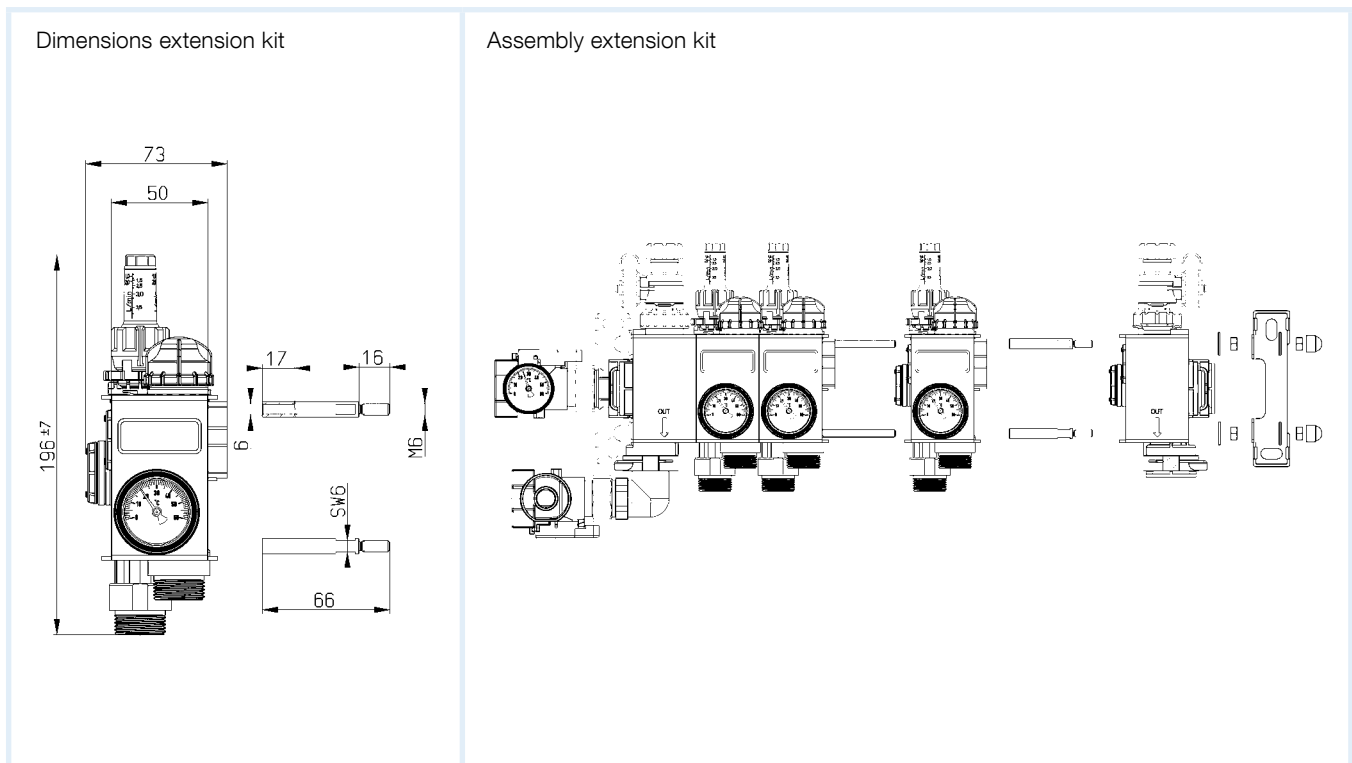
## Dimensions (mm)

Heating circuits	2	3	4	5	6	7	8	9	10	11	12	13	14
A 1 in mm	304	354	404	454	504	554	604	654	704	754	804	854	904
A 2 in mm	340	390	440	490	540	590	640	690	740	790	840	890	940
B in mm	260	310	360	410	460	510	560	610	660	710	760	810	760

# Compact manifold ProCalida® CC 1 for heating and cooling circuits

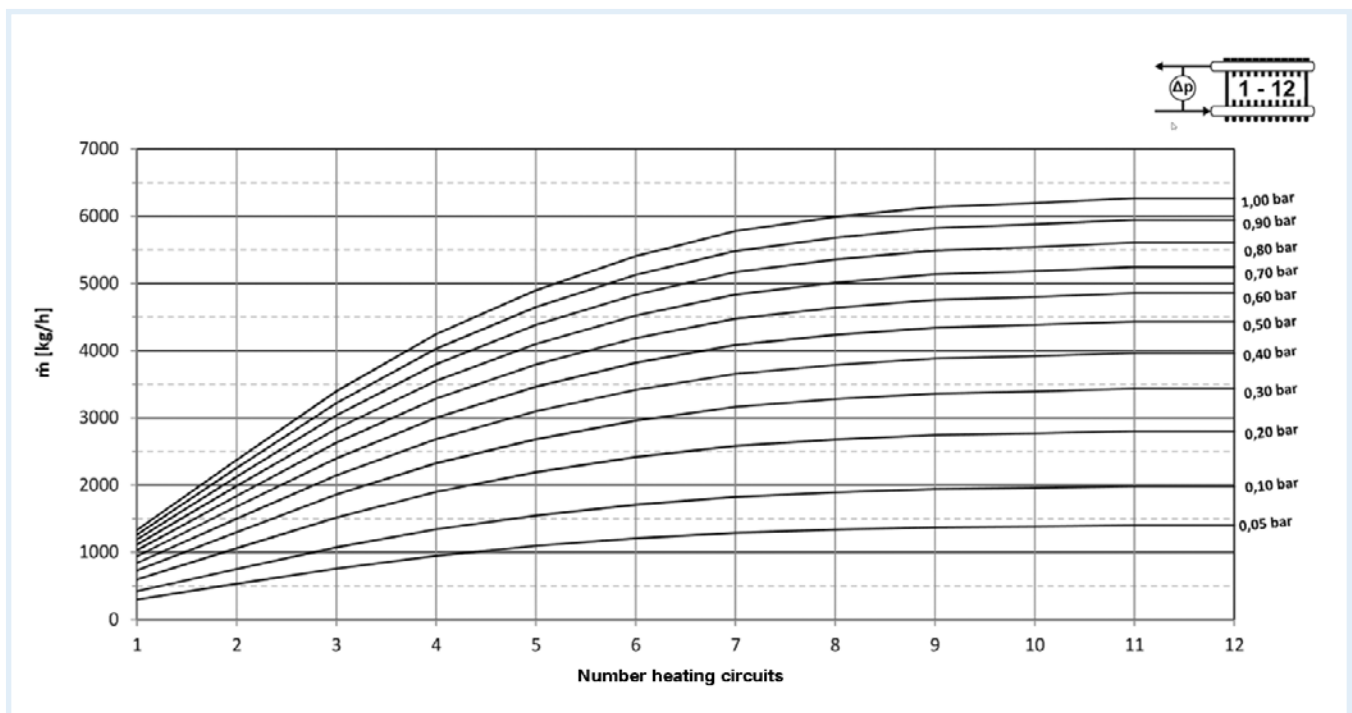


Types and dimensions (mm)



8

Total pressure loss with flow meter



# Compact manifold ProCalida® CC 1 for heating and cooling circuits



	Description	Minimum order quantity*	Dimensions packaging (mm)			Part no.	Price €
	ProCalida® CC 1 FM 2-HK	56	450 x 230 x 110	1	56	81482	
	ProCalida® CC 1 FM 3-HK	56	450 x 230 x 110	1	56	81483	
	ProCalida® CC 1 FM 4-HK	56	450 x 230 x 110	1	56	81484	
	ProCalida® CC 1 FM 5-HK	56	550 x 230 x 110	1	56	81485	
	ProCalida® CC 1 FM 6-HK	56	550 x 230 x 110	1	56	81486	
	ProCalida® CC 1 FM 7-HK	40	650 x 230 x 110	1	40	81487	
	ProCalida® CC 1 FM 8-HK	40	650 x 230 x 110	1	40	81488	
	ProCalida® CC 1 FM 9-HK	40	750 x 230 x 110	1	40	81489	
	ProCalida® CC 1 FM 10-HK	40	750 x 230 x 110	1	40	81490	
	ProCalida® CC 1 FM 11-HK	24	850 x 230 x 110	1	24	81491	
	ProCalida® CC 1 FM 12-HK	24	850 x 230 x 110	1	24	81492	
	Accessories						
	Extension kit 1 HK	20	Product package: 103 x 70 x 215  Additional package: 465 x 315 x 255	1	20	81481	
	Pressure gauge RF 50 for tightness test or permanent pressure indication, wrange 0/10 bar	10	Product package: 75 x 50 x 50 Additional package: 260 x 77 x 106	1	10	<b>81276</b>	

\* per delivery

i

Number of products/  
kits in cardboard boxNumber of products/  
kits on palette

# Services d'EURO-INDEX

EURO-INDEX est un fabricant, importateur et distributeur de diverses marques A dans le domaine des instruments de test et de mesure. Nous fournissons également une large gamme de services pour optimiser l'utilisation de ces instruments dans vos activités. Ces services comprennent naturellement l'entretien, la réparation et l'étalonnage des instruments, mais nous proposons aussi une assistance sous forme de formation via notre EURO-INDEX Academy et la location d'instruments.

## Centre de Service Agréé

EURO-INDEX est un Centre de Service Agréé pour toutes les marques représentées. Cela signifie que vos instruments sont pris en charge par des techniciens formés par le fabricant et disposant des outils et logiciels adéquats. Seules des pièces d'origine sont utilisées et la garantie de votre instrument, ainsi que les certifications (ATEX, EN50379, etc.) restent intactes.

## Laboratoire de maintenance et de calibrage

Le laboratoire des Pays-Bas est accrédité RvA selon la norme EN-ISO/IEC 17025. Cette accréditation est valable pour différentes grandeurs, telles que spécifiées dans le champ d'application associé au numéro d'accréditation K105. Les certificats de calibrage RvA sont acceptés à l'international et équivalents à ceux de BELAC.



## Service Mobile

Outre les laboratoires d'étalonnage fixes de Zaventem et de Capelle aan den IJssel, nous disposons également d'un laboratoire itinérant appelé "Service mobile". Nos services peuvent venir vers vous, en offrant une qualité équivalente.

## MQS®

MQS® est une formule d'entretien exclusive comportant un entretien et un calibrage périodiques de vos instruments de mesure à un coût fixe et faible. Via un portail Web gratuit ([monmq.be](http://monmq.be)), vous avez toujours accès à vos certificats de calibrage.

## Location d'instruments de mesure

- Vaste assortiment
- Précision démontrable par le certificat d'étalonnage actuel
- Conseils avisés
- Les instruments sont livrés avec leurs accessoires

## EURO-INDEX Academy

- Formations et séminaires
- Vidéos de démonstration et d'instruction
- Notes d'application



Comptoir de service



Entretien, réparation et calibrage



Formations et séminaires



Service Mobile

Sous réserve de modifications EURO-INDEX® FR 23001



**BELGIQUE**  
Chaussée de Louvain 607  
1930 Zaventem  
T: 02 - 757 92 44  
F: 02 - 757 92 64  
[sales@euro-index.be](mailto:sales@euro-index.be)  
[www.euro-index.be](http://www.euro-index.be)

**PAYS-BAS**  
Rivium 2e straat 12  
2909 LG Capelle a/d IJssel  
T: +31 - (0)10 - 2 888 000  
F: +31 - (0)10 - 2 888 010  
[verkoop@euro-index.nl](mailto:verkoop@euro-index.nl)  
[www.euro-index.nl](http://www.euro-index.nl)

