

**21**

**22**

# CONTACTS

## General information

barberi@barberi.it 

  +39 0163 48284

## Sales office Italy

barberi@barberi.it 

  +39 0163 48284

## Export sales office

barberi@barberi.it 

      +39 0163 48284

## Administration office

amministrativo@barberi.it 

  +39 0163 48284

## Assistance-Consulting Systems-Products-Documentation-Standards

assistenza@barberi.it 

  +39 0163 48284

Barberi Rubinetterie Industriali S.r.l. 

@barberi.italy 

@barberi.italy 

barberi.it 

barberi@barberi.it 

+39 0163 48284 

Via Monte Fenera 7, 13018 Valduggia (VC) - Italy 



21

22



# WE ARE A FAMILY STORY

WITH ROOTS IN THE METAL DISTRICT SINCE 1954

Generation after generation, the company has been able to grow in size and innovative spirit, evolving as a single team: the values of collaboration, respect and growth that have always inspired the family mission have been integrated perfectly into a business context rich in opportunities.

The “Proud to B” project springs from our human capital and team synergy: people make the difference in Barberi.

The Barberi Method is synonymous with total quality: following the key points of Total Quality Management has transformed us into a Smart Factory with a state-of-the-art IT management network that provides quality control over the entire production cycle.

Obtaining UNI EN ISO 9001:2015 and UNI EN ISO 14001:2015 certification confirms our structured and winning business management, which is present at every point in the process and is increasingly attentive to improving end product performance.





# DESIGN SERVICE

## MANAGEMENT OF YOUR PROJECTS

A team of experts at your complete disposal who will follow the development of your projects step by step.

RESEARCH & DEVELOPMENT

INDUSTRIALIZATION

VALIDATION

PRODUCTION

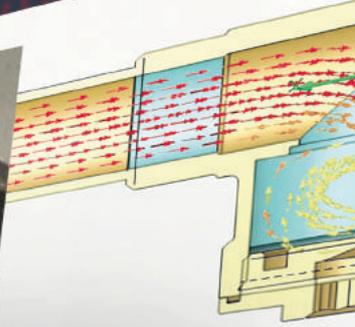
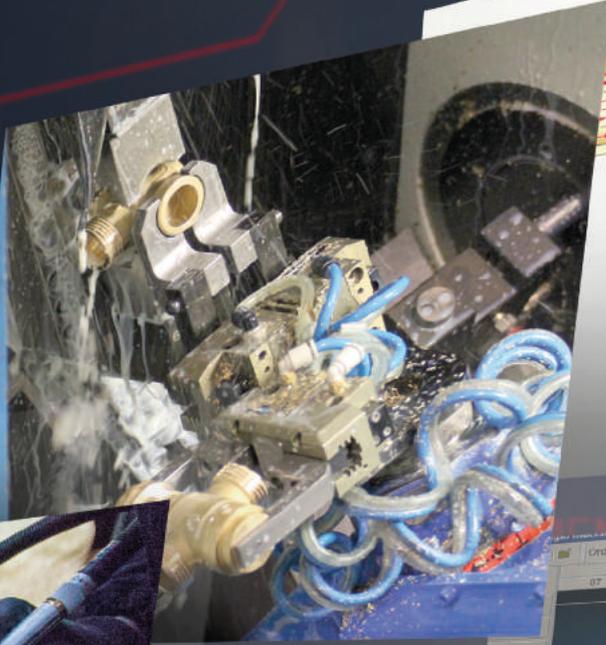
### **CONTACT US TO ACCESS OEM SERVICE**

Every year, we develop hundreds of customized products and variants of our catalog items.

ST  
MANAGEMENT

3D DESIGN

FUNCTIONAL TEST



TUNING

DESIGN & MANUFACTURE

QUALITY PROGRAM

PERFORMANCE TESTS

MECHANICAL SIMULATIONS

FUNCTIONAL TEST

# BARBERI WORLD

MORE THAN REAL

THERMOSTATIC  
MIXING VALVES

**B1**

p.13



ROTARY MIXING VALVES  
AND ACTUATORS

**B2**

p.27



REGULATING GROUPS AND  
HEATING COMPONENTS

**B3**

p.41



AIR VENTS  
AND DEAERATORS

**B6**

p.117



CHECK VALVES  
AND FOOT VALVES

**B7**

p.121



FILTERS AND  
DIRT SEPARATORS

**B8**

p.133







COMPONENTS FOR  
SOLAR THERMAL SYSTEMS

**B4**

p.93



ZONE AND  
DIVERTING VALVES

**B5**

p.105



ONLINE TECHNICAL  
DOCUMENTATION

[www.barberi.it](http://www.barberi.it)



BALL SHUT-OFF VALVES  
AND COCKS

**B9**

p.141



MONOBLOCS

**B10**

p.145



FITTINGS

**B11**

p.151

# BARBERI® PRODUCTS

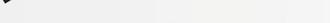
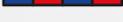
BARBERI WORLD		TYPE OF CIRCUIT		TYPE OF INSTALLATION		
		DHW	HEATING	SOLAR	BIOMASS	HEAT PUMPS
<b>B1</b>	Thermostatic Mixing valves					
<b>B2</b>	Rotary mixing valves and actuators					
<b>B3</b>	Regulating groups and heating components					
<b>B4</b>	Components for solar thermal systems					
<b>B5</b>	Zone and diverting valves					
<b>B6</b>	Air vents and deaerators					
<b>B7</b>	Check valves and foot valves					
<b>B8</b>	Filters and dirt separators					
<b>B9</b>	Ball shut-off valves and cocks					
<b>B10</b>	Monoblocs					
<b>B11</b>	Fittings					

Barberi® reserves the right to modify the present information without notice; Barberi® is not liable for injuries or damages which could occur to things, people or materials due to unsuitable and different applications, other than the suggested, of its articles.

## DESIGNATION OF THREADS

Thread type and Standard	Shape of Male (M) and Female (F) threads	Designation by standard	Designation on Barberi catalogue
“Pipe threads where pressure tight joints are made on the threads”  Gas threads according to  EN 10226-1 (for R and Rp threads)  EN 10226-2 (for R and Rc threads) (old standard ISO 7-1)	Taper external (male) threads 	R 1 1/4	R 1 1/4
	Parallel internal (female) threads 	Rp 1 1/4	Rp 1 1/4
	Taper internal (female) threads 	Rc 1 1/4	Rc 1 1/4
“Pipe threads where pressure tight joints are not made on the threads”  Gas threads according to  ISO 228/1	Parallel external (male) threads 	G 1 1/4 (A or B) (A or B) = tolerance class	G 1 1/4 M
	Parallel internal (female) threads 	G 1 1/4	G 1 1/4 F
	Nut with parallel internal (female) threads 	G 1 1/4	G 1 1/4 RN RN = running nut

## LEGEND

 The Best Seller product or suggested by Barberi   New: new product or new size   Approvazione Water Regulations Advisory Scheme (UK)   Attestation de Conformité Sanitaire (F)   The products equipped with one of the following high-efficiency pumps (EEI≤0,20) are within the List of the Federal Office for Economic Affairs and Export Control (Germany): - Wilo Para xx-130/7-50/SC - Wilo Para xx-180/7-50/SC - Grundfos UPM3 Auto xx-70 - Grundfos UPM3 Solar xx-75	 wall-mounted boiler   wall-mounted boiler with built-in DHW storage   solid fuel generator   solid fuel generator with built-in DHW storage   chiller   inertial or DHW storage   natural circulation solar   distribution manifold   distribution manifold with built-in hydraulic separator   coil heat exchanger   radiator	 radiant panels   swimming pool   DHW tap   shower   high-efficiency pump   pump   motorized 3-way mixing valve   motorized 2-way zone valve   thermostatic 3-way valve   3-way valve   4-way valve   hydraulic separator   check valve   Y-filter   expansion vessel	 safety relief valve   temperature pressure safety relief valve   solar air vent   pressure reducing valve   controller   room thermostat   radiator valve   lockshield   BA backflow preventer   anti-pollution device   timer   temperature gauge   pressure gauge   discharge tundish   ball shut-off valve   temperature probe
---	--	--	--

NB: system diagrams on this catalogue are simply drafts, they are not executive. Missing devices (valves, accessories, safety tools etc.) must be added according to applicable standards.

# BARBERI® PACKAGING

## A NEW LABEL LAYOUT

An ever more accurate attention to detail, in 2021 Barberi packaging evolves by presenting a garment completely renewed of the product labels: more information, more quality, more color.



Header with article code and packaging quantity

**29B 040N3P1**  
Q.ty 1



Color photo of the article

Product description in Italian, English and Russian

IT Gruppo di regolazione termostatica da incasso  
EN Recessed thermostatic regulating group  
RU Встраиваемая группа термостатического регулирования

QR code for downloading the documentation from the website

Main technical data

Size G 1 M  
Kv 3,5  
Pump Wilo Para 25-130/7-50/SC-12



EAN13 product identification code



Certifications



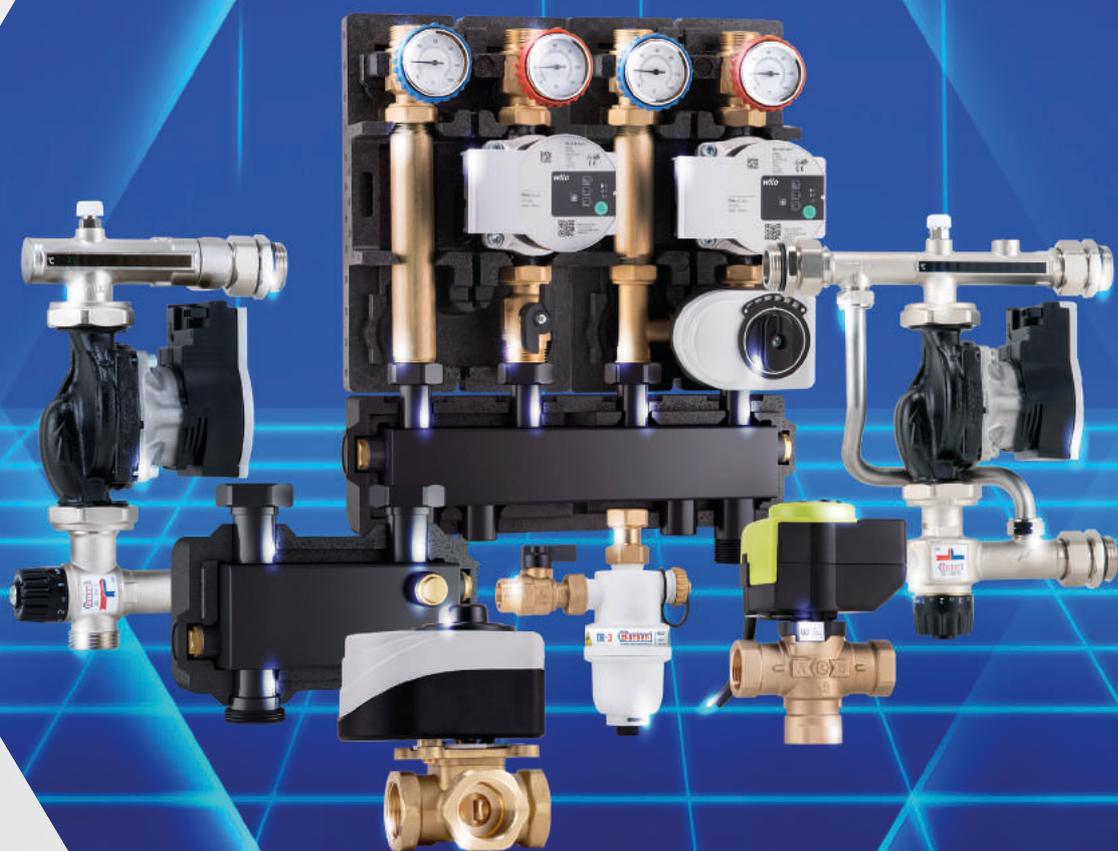
Product and quantity identification code



2021  
NEWS

THE LOCKDOWN HAS NOT STOPPED  
**OUR PROJECTS**

OVER 110 NEW CODES



ALWAYS DESIGNED IN SAFETY



# THERMOSTATIC MIXING VALVES

# B1



Code	TYPE AND FUNCTION				APPLICATION				MIXING VALVE SETTING (°C)						DIVERTING VALVE SETTING (°C)	
	Side mix	Central mix	4-way	Diverging	DHW	Heat.	Solar DHW	Biomass	20-43	25-50	25-58	30-60	30-65	35-60	45-55-60-70	45
V07.AA	⊗				⊗	⊗			⊗							
V07.AA.L2	⊗				⊗	⊗			⊗							
V07.AA.L4	⊗				⊗	⊗			⊗							
V07.AB	⊗				⊗	⊗								⊗		
V07.AB.L2	⊗				⊗	⊗								⊗		
V07.AB.L4	⊗				⊗	⊗								⊗		
V07.BA	⊗				⊗	⊗			⊗							
V07.BA.L2	⊗				⊗	⊗			⊗							
V07.BB	⊗				⊗	⊗								⊗		
V07.BB.L2	⊗				⊗	⊗								⊗		
P10		⊗			⊗	⊗							⊗			
P10.L2		⊗			⊗	⊗							⊗			
P11		⊗			⊗	⊗							⊗			
P11.L2		⊗			⊗	⊗							⊗			
V17		⊗			⊗	⊗							⊗			
V17.L2		⊗			⊗	⊗							⊗			
P09		⊗			⊗	⊗							⊗			
P09.L2		⊗			⊗	⊗							⊗			
630			⊗		⊗							⊗				
630.10			⊗		⊗					⊗						
630.T			⊗		⊗							⊗				
630.1.2			⊗		⊗							⊗				
630.101			⊗		⊗					⊗						
630.1.2.T			⊗		⊗							⊗				
630.3			⊗		⊗							⊗				
630.103			⊗		⊗					⊗						
W51			⊗		⊗					⊗		⊗				
52D																



Code	TYPE AND FUNCTION				APPLICATION				MIXING VALVE SETTING (°C)						DIVERTING VALVE SETTING (°C)	
	Side mix	Central mix	4-way	Diverging	DHW	Heat.	Solar DHW	Biomass	20-43	25-50	25-58	30-60	30-65	35-60	45-55-60-70	45
V16				⊗	⊗	⊗										⊗
V16.L2				⊗	⊗	⊗										⊗
P04		⊗					⊗						⊗			
P04.L2		⊗					⊗						⊗			
P04.L4		⊗					⊗						⊗			
P05		⊗					⊗						⊗			
P05.L2		⊗					⊗						⊗			
P05.L4		⊗					⊗						⊗			
V20	⊗			⊗			⊗							⊗		⊗
V20.L1	⊗			⊗			⊗							⊗		⊗
V20.L2	⊗			⊗			⊗							⊗		⊗
V13	⊗							⊗							⊗	
V13.L1	⊗							⊗							⊗	
V13.L2	⊗							⊗							⊗	
V14	⊗							⊗							⊗	
V14.L1	⊗							⊗							⊗	
V14.1.2	⊗							⊗							⊗	

### V07.AA



Thermostatic mixing valve for hydro-thermal-sanitary systems - antiscald - Kv 1,6 - range 20-43 °C

Flow coefficient: **Kv 1,6**  
 Temperature adjustment range: **20-43 °C**  
 Max working temperature: **95 °C**  
 Max working pressure: **10 bar**



Code	Size	Box	Carton	€
V07 020 0AA	Rp 3/4	1	20	-
V07 M20 0AA	G 3/4 M	1	20	-
V07 M25 0AA	G 1 M	1	20	-

### V07.AB



Thermostatic mixing valve for hydro-thermal-sanitary systems - antiscald - Kv 1,6 - range 35-60 °C

Flow coefficient: **Kv 1,6**  
 Temperature adjustment range: **35-60 °C**  
 Max working temperature: **95 °C**  
 Max working pressure: **10 bar**



Code	Size	Box	Carton	€
V07 020 0AB	Rp 3/4	1	20	-
V07 M20 0AB	G 3/4 M	1	20	-
V07 M25 0AB	G 1 M	1	20	-

### V07.AA.L2



Thermostatic mixing valve for hydro-thermal-sanitary systems - antiscald - Kv 1,6 - range 20-43 °C. Fittings with check valve insert unassembled (V38.03)

Flow coefficient: **Kv 1,6**  
 Temperature adjustment range: **20-43 °C**  
 Max working temperature: **95 °C**  
 Max working pressure: **10 bar**



Code	Size	Box	Carton	€
V07 M20 0AA L2 <b>TBS</b>	G 3/4 M	1	20	-
V07 M25 0AA L2	G 1 M	1	10	-

### V07.AB.L2



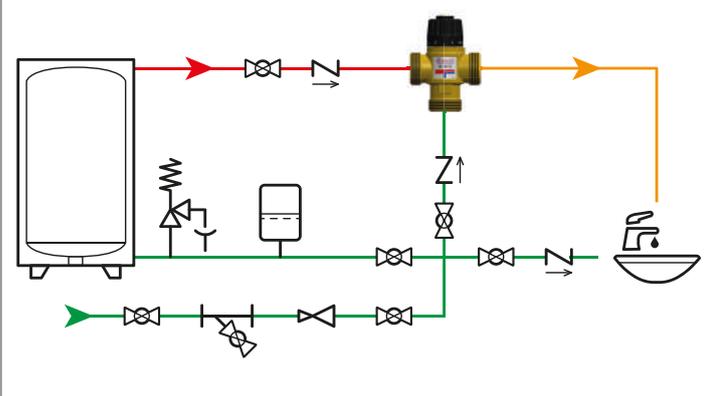
Thermostatic mixing valve for hydro-thermal-sanitary systems - antiscald - Kv 1,6 - range 35-60 °C. Fittings with check valve insert unassembled (V38.03)

Flow coefficient: **Kv 1,6**  
 Temperature adjustment range: **35-60 °C**  
 Max working temperature: **95 °C**  
 Max working pressure: **10 bar**

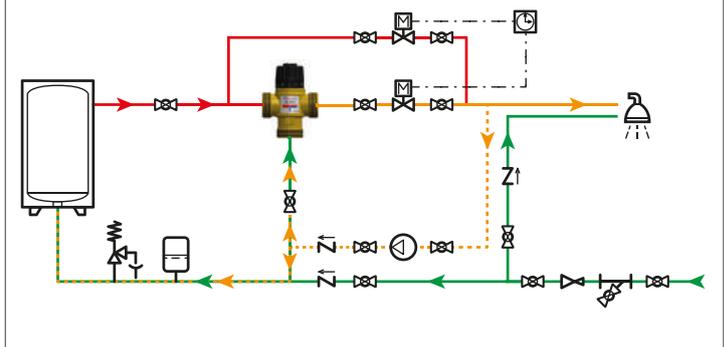


Code	Size	Box	Carton	€
V07 M20 0AB L2 <b>TBS</b>	G 3/4 M	1	20	-
V07 M25 0AB L2	G 1 M	1	10	-

DHW production with direct supply to the user



DHW production with recirculation circuit



THERMOSTATIC MIXING VALVES "L" COMFORT

V07.BA 

Thermostatic mixing valve for hydro-thermal-sanitary systems - antiscald - Kv 2,5 - range 20-43 °C

Flow coefficient: **Kv 2,5**  
 Temperature adjustment range: **20-43 °C**  
 Max working temperature: **95 °C**  
 Max working pressure: **10 bar**



Code	Size			€
V07 M25 OBA	G 1 M	1	20	-

V07.BB 

Thermostatic mixing valve for hydro-thermal-sanitary systems - antiscald - Kv 2,5 - range 35-60 °C

Flow coefficient: **Kv 2,5**  
 Temperature adjustment range: **35-60 °C**  
 Max working temperature: **95 °C**  
 Max working pressure: **10 bar**



Code	Size			€
V07 M25 OBB	G 1 M	1	20	-

V07.BA.L2 

Thermostatic mixing valve for hydro-thermal-sanitary systems - antiscald - Kv 2,5 - range 20-43 °C. Fittings with check valves insert unassembled (V38.03)

Flow coefficient: **Kv 2,5**  
 Temperature adjustment range: **20-43 °C**  
 Max working temperature: **95 °C**  
 Max working pressure: **10 bar**



Code	Size			€
V07 M25 OBA L2 	G 1 M	1	10	-

V07.BB.L2 

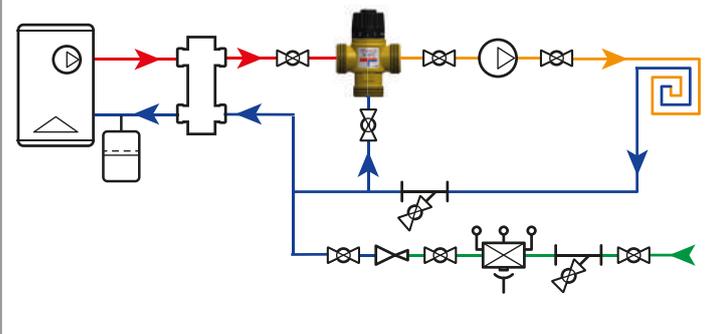
Thermostatic mixing valve for hydro-thermal-sanitary systems - antiscald - Kv 2,5 - range 35-60 °C. Fittings with check valves insert unassembled (V38.03)

Flow coefficient: **Kv 2,5**  
 Temperature adjustment range: **35-60 °C**  
 Max working temperature: **95 °C**  
 Max working pressure: **10 bar**



Code	Size			€
V07 M25 OBB L2 	G 1 M	1	10	-

Fixed point regulation in radiant panel system



### P10



Thermostatic mixing valve for hydro-thermal-sanitary systems - antiscald - Kv 1,8 - range 30-65 °C

Flow coefficient: **Kv 1,8**  
 Temperature adjustment range: **30-65 °C**  
 Max working temperature: **90 °C**  
 Max working pressure: **10 bar**



Code	Size			€
P10 A20 000	G 3/4 M	1	20	-
P10 A25 000	G 1 M	1	20	-

### P10.L2



Thermostatic mixing valve for hydro-thermal-sanitary systems - antiscald - Kv 1,8 - range 30-65 °C. Fittings with check valves insert unassembled (V38.04)

Flow coefficient: **Kv 1,8**  
 Temperature adjustment range: **30-65 °C**  
 Max working temperature: **90 °C**  
 Max working pressure: **10 bar**



Code	Size			€
P10 A20 000 L2	G 3/4 M	1	20	-
P10 A25 000 L2	G 1 M	1	20	-

### P11



Thermostatic mixing valve for hydro-thermal-sanitary systems - antiscald - Kv 2,3 - range 30-65 °C

Flow coefficient: **Kv 2,3**  
 Temperature adjustment range: **30-65 °C**  
 Max working temperature: **90 °C**  
 Max working pressure: **10 bar**



Code	Size			€
P11 A20 000	G 3/4 M	1	20	-
P11 A25 000	G 1 M	1	20	-

### P11.L2



Thermostatic mixing valve for hydro-thermal-sanitary systems - antiscald - Kv 2,3 - range 30-65 °C - fittings with check valve insert unassembled V38.04

Flow coefficient: **Kv 2,3**  
 Temperature adjustment range: **30-65 °C**  
 Max working temperature: **90 °C**  
 Max working pressure: **10 bar**



Code	Size			€
P11 A20 000 L2	G 3/4 M	1	20	-
P11 A25 000 L2	G 1 M	1	20	-

### V17



Thermostatic mixing valve for hydro-thermal-sanitary systems - Kv 3,5 - range 30-65 °C

Flow coefficient: **Kv 3,5**  
 Temperature adjustment range: **30-65 °C**  
 Max working temperature: **90 °C**  
 Max working pressure: **10 bar**



Code	Size			€
V17 M32 0AA	G 1 1/4 M	1	10	-

### V17.L2



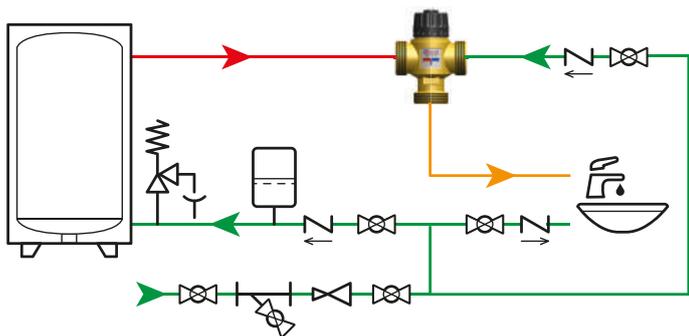
Thermostatic mixing valve for hydro-thermal-sanitary systems - Kv 3,5 - range 30-65 °C - with fittings P93

Flow coefficient: **Kv 3,5**  
 Temperature adjustment range: **30-65 °C**  
 Max working temperature: **90 °C**  
 Max working pressure: **10 bar**

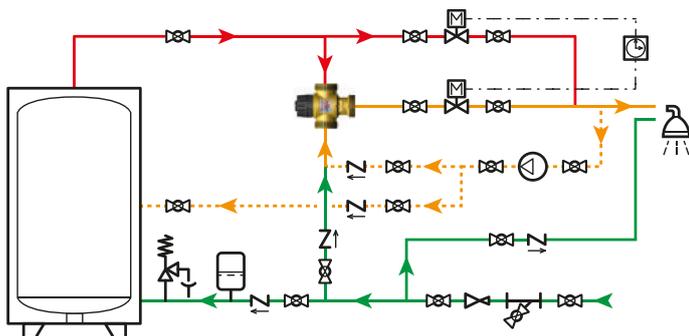


Code	Size			€
V17 M32 0AA L2	G 1 M	1	10	-

DHW production with direct supply to the user



DHW production with recirculation circuit



## P93

Fitting with running nut and flat gasket

Max working temperature: **100 °C**

Max working pressure: **25 bar**



Code	Size			€
P93 015 000	G 1/2 M - G 3/4 RN	20	80	-
P93 020 000	G 3/4 M - G 1 RN	16	64	-
P93 025 000	G 1 M - G 1 1/4 RN	8	64	-
P93 032 000	G 1 1/4 M - G 1 1/2 RN	4	32	-

## V38.03

3 fitting kit, supplied with gaskets and two check valve inserts suitable for thermostatic mixing valves

Max working temperature: **110 °C**

Max working pressure: **16 bar**



Code	Size			€
V38 020 000 03	G 3/4 M - G 3/4 RN	1	20	-
V38 025 000 03	G 1 M - G 1 RN	1	20	-

## V38.04

2 fitting kit with nut, supplied with gaskets and two check valve inserts suitable for thermostatic mixing valves

Max working temperature: **110 °C**

Max working pressure: **16 bar**



Code	Size			€
V38 020 000 04	G 3/4 M - G 3/4 RN	1	20	-
V38 025 000 04	G 1 M - G 1 RN	1	20	-

### 630.T

4-way thermostatic mixing valve with 90° inlets - Kv 3,5 - range 30–60 °C - side plug

Flow coefficient: **Kv 3,5**  
 Temperature adjustment range: **30–60 °C**  
 Max working temperature: **90 °C**  
 Max working pressure: **10 bar**



Code	Size			€
630 A20 000 T	Rp 3/4	1	10	-

### 630.10.T

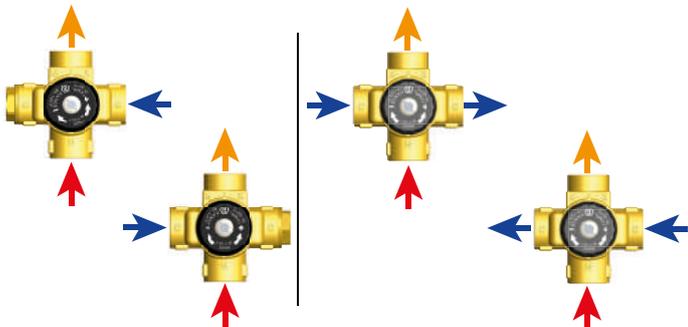
4-way thermostatic mixing valve with 90° inlets - Kv 3,5 - range 25–50 °C - side plug

Flow coefficient: **Kv 3,5**  
 Temperature adjustment range: **25–50 °C**  
 Max working temperature: **90 °C**  
 Max working pressure: **10 bar**



Code	Size			€
630 A20 010 T	Rp 3/4	1	10	-

#### 630: use of ports as 3 and 4-way valve



### 630.1.2.N

4-way thermostatic mixing valve with 90° inlets - pump connection - Kv 3,5 - range 30–60 °C - flat gasket - nickel plated

Flow coefficient: **Kv 3,5**  
 Temperature adjustment range: **30–60 °C**  
 Max working temperature: **90 °C**  
 Max working pressure: **10 bar**



Code	Size			€
630 A20 N00 1	Rp 3/4 - G 1 1/2 RN	1	10	-

### 630.101.N

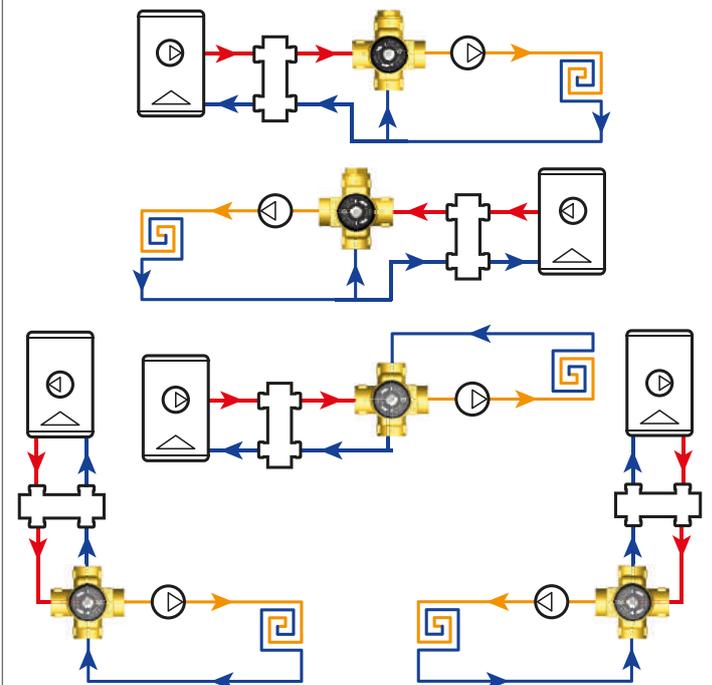
4-way thermostatic mixing valve with 90° inlets - pump connection - Kv 3,5 - range 25–50 °C - flat gasket - nickel plated

Flow coefficient: **Kv 3,5**  
 Temperature adjustment range: **25–50 °C**  
 Max working temperature: **90 °C**  
 Max working pressure: **10 bar**



Code	Size			€
630 A20 N10 1	Rp 3/4 - G 1 1/2 RN	1	10	-

#### 630 for fixed point regulation in radiant panel system



# THERMAL SOLAR THERMOSTATIC MIXING VALVES

## P04



Thermal solar system thermostatic mixing valve - antiscald - Kv 1,8 - range 30–65 °C

Flow coefficient: **Kv 1,8**  
 Temperature adjustment range: **30–65 °C**  
 Max working temperature: **110 °C**  
 Max working pressure: **10 bar**



Code	Size			€
P04 A20 000	G 3/4 M	1	20	-
P04 A25 000	G 1 M	1	20	-

## P05



Thermal solar system thermostatic mixing valve - antiscald - Kv 2,3 - range 30–65 °C

Flow coefficient: **Kv 2,3**  
 Temperature adjustment range: **30–65 °C**  
 Max working temperature: **110 °C**  
 Max working pressure: **10 bar**



Code	Size			€
P05 A20 000	G 3/4 M	1	20	-
P05 A25 000	G 1 M	1	20	-

## P04.L2



Thermal solar system thermostatic mixing valve - antiscald - Kv 1,8 - range 30–65 °C. Fittings and check valves insert unassembled (V38.04)

Flow coefficient: **Kv 1,8**  
 Temperature adjustment range: **30–65 °C**  
 Max working temperature: **110 °C**  
 Max working pressure: **10 bar**



Code	Size			€
P04 A20 000 L2	G 3/4 M	1	20	-
P04 A25 000 L2	G 1 M	1	20	-

## P05.L2



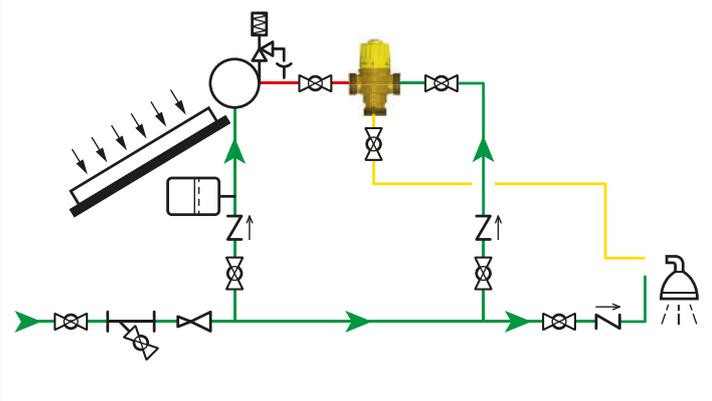
Thermal solar system thermostatic mixing valve - antiscald - Kv 2,3 - range 30–65 °C. Fittings and check valve insert unassembled (V38.04)

Flow coefficient: **Kv 2,3**  
 Temperature adjustment range: **30–65 °C**  
 Max working temperature: **110 °C**  
 Max working pressure: **10 bar**

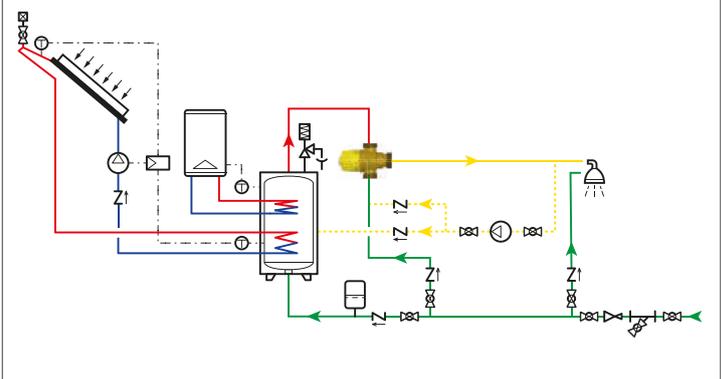


Code	Size			€
P05 A20 000 L2	G 3/4 M	1	20	-
P05 A25 000 L2	G 1 M	1	20	-

Natural circulation solar system



Forced circulation solar and recirculation system



### V38.03

3 fitting kit, supplied with gaskets and two check valve inserts suitable for thermostatic mixing valves

Max working temperature: **110 °C**  
Max working pressure: **16 bar**



Code	Size			€
V38 020 000 03	G 3/4 M - G 3/4 RN	1	20	-
V38 025 000 03	G 1 M - G 1 RN	1	20	-

### V38.04

2 fitting kit with nut, supplied with gaskets and two check valve inserts suitable for thermostatic mixing valves

Max working temperature: **110 °C**  
Max working pressure: **16 bar**



Code	Size			€
V38 020 000 04	G 3/4 M - G 3/4 RN	1	20	-
V38 025 000 04	G 1 M - G 1 RN	1	20	-

### V38.02

2 fitting kit with flat face supplied with gaskets and check valve inserts for thermostatic mixing valves

Max working temperature: **130 °C**  
Max working pressure: **16 bar**



Code	Size			€
V38 020 000 02	G 3/4 M - G 3/4 F	1	20	-

### V16

Thermostatic diverting valve with fixed setting - Kv 3,5

Flow coefficient: **Kv 3,5**  
Diverting valve setting: **45 °C**  
Max working temperature: **100 °C**  
Max working pressure: **10 bar**



Code	Size	°C			€
V16 M25 00A	G 1 M	45	1	20	-

### V16.L2

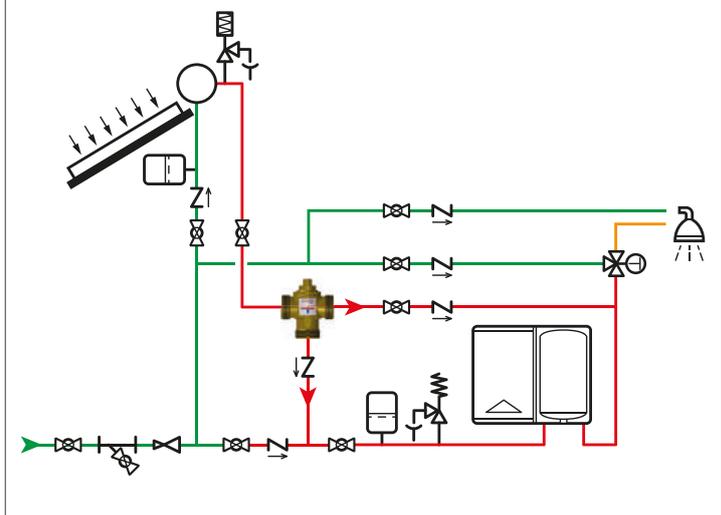
Thermostatic diverting valve with fixed setting - Kv 3,5 - with fittings P93

Flow coefficient: **Kv 3,5**  
Diverting valve setting: **45 °C**  
Max working temperature: **100 °C**  
Max working pressure: **10 bar**



Code	Size	°C			€
V16 M25 00A L2	G 3/4 M	45	1	10	-

#### V16: solar DHW supply to user or integration with a boiler





## V20



Solar-to-boiler thermal integration kit with thermostatic diverting valve and thermostatic mixing valve. For boiler with storage or boiler with instantaneous DHW production able to receive pre-heated water at the inlet.

Flow coefficient: **Kv 2**

Temperature adjustment range: **35–60 °C**

Diverting valve setting: **45 °C**

Max working temperature: **95 °C**

Max working pressure: **10 bar**



Code	Size			€
V20 M25 001	G 1 M	1	10	-

## V20.L1



Solar-to-boiler thermal integration kit with thermostatic diverting valve and thermostatic mixing valve - 5 fittings and 3 check valves inserts. For boiler with storage or boiler with instantaneous DHW production able to receive pre-heated water at the inlet.

Flow coefficient: **Kv 2**

Temperature adjustment range: **35–60 °C**

Diverting valve setting: **45 °C**

Max working temperature: **95 °C**

Max working pressure: **10 bar**



Code	Size			€
V20 M25 001 L1	G 1 M	1	6	-

## V20.L2



Solar-to-boiler thermal integration kit with thermostatic diverting valve and thermostatic mixing valve - 5 fittings P93. For boiler with storage or boiler with instantaneous DHW production able to receive pre-heated water at the inlet.

Flow coefficient: **Kv 2**

Temperature adjustment range: **35–60 °C**

Diverting valve setting: **45 °C**

Max working temperature: **95 °C**

Max working pressure: **10 bar**



Code	Size			€
V20 M25 001 L2	G 3/4 M	1	6	-



## V20.1

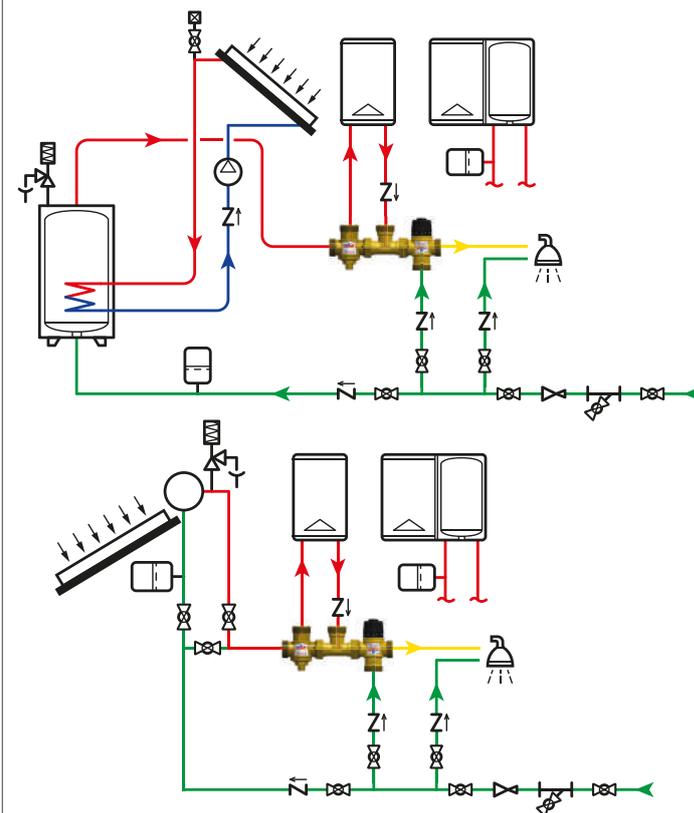
Insulation for solar-to-boiler integration kit V20, V20.L1, V20.L2



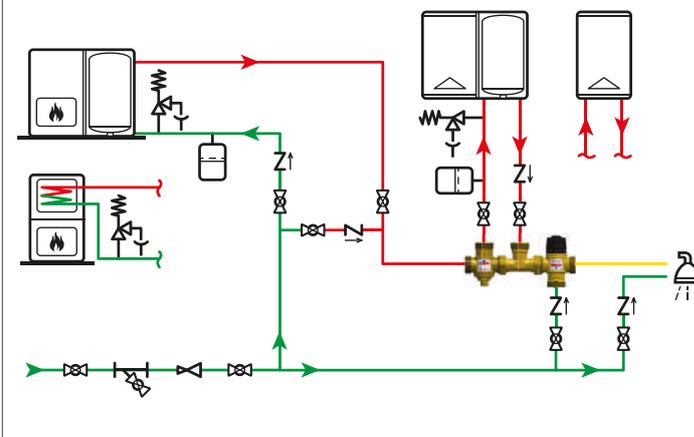
Max working temperature: **140 °C**

Code	Size			€
V20 000 001	225 mm x 100 mm	-	-	-

### V20 for integration: forced circulation solar-to-boiler; natural circulation solar-to-boiler



### V20 for biomass-to-boiler integration



### V13

woody

Anti-condensation thermostatic mixing valve for solid fuel generators - Kv 3,2

Flow coefficient: **Kv 3,2**

Anti-condensation setting: **45-55-60-70 °C**

Temperature of by-pass hot port fully closing:

**$T_{mix} = T_{set} + 10 \text{ °C} = TR$**

Max working temperature: **100 °C**

Max working pressure: **10 bar**



Code	Size	°C			€
V13 M25 00A	G 1 M	45	1	20	-
V13 M25 00B	G 1 M	55	1	20	-
V13 M25 00C	G 1 M	60	1	20	-
V13 M25 00D	G 1 M	70	1	20	-

### V13.L1

woody

Anti-condensation thermostatic mixing valve for solid fuel generators - Kv 3,2 - with reduced fittings P93

Flow coefficient: **Kv 3,2**

Anti-condensation setting: **45-55-60-70 °C**

Temperature of by-pass hot port fully closing:

**$T_{mix} = T_{set} + 10 \text{ °C} = TR$**

Max working temperature: **100 °C**

Max working pressure: **10 bar**



Code	Size	°C			€
V13 M25 00A L1	G 3/4 M	45	1	20	-
V13 M25 00B L1	G 3/4 M	55	1	20	-
V13 M25 00C L1	G 3/4 M	60	1	20	-
V13 M25 00D L1	G 3/4 M	70	1	20	-

### V13.5R

woody

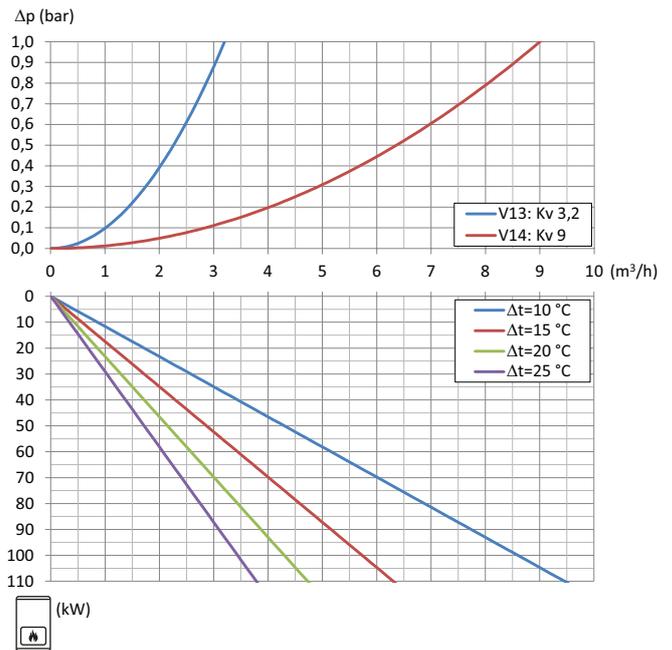
Thermostatic element for anti-condensation thermostatic mixing valve V13, V13.L1, V13.L2 and V13.1.2

Setting temperature: **45-55-60-70 °C**



Code	°C			€
V13 025 005 AR	45	-	-	-
V13 025 005 BR	55	-	-	-
V13 025 005 CR	60	-	-	-
V13 025 005 DR	70	-	-	-

### Sizing of V13 and V14



Anti-condensation valve sizing:

- enter the lower diagram with the solid fuel generator power output value (vertical axis, kW);
- cross the line of the working delta temperature (°C);
- read the corresponding working flow rate value on the horizontal axis (m³/h);
- in the the upper diagram, at the same flow rate value, cross the hydraulic characteristic lines of the valves;
- read the corresponding valve head loss value on the vertical axis (bar);
- sum this head loss to the circuit head losses and compare them to the available pump head.

# ANTI-CONDENSATION THERMOSTATIC MIXING VALVES

## V14

woody

Anti-condensation thermostatic mixing valve for solid fuel generators - Kv 9

Flow coefficient: **Kv 9**

Anti-condensation setting: **45-55-60-70 °C**

Temperature of by-pass hot port fully closing:

**$T_{mix} = T_{set} + 10\text{ °C} = TR$**

Max working temperature: **100 °C**

Max working pressure: **10 bar**



Code	Size	°C			€
V14 025 00A	Rp 1	45	1	12	-
V14 M32 00A	G 1 1/4 M	45	1	12	-
V14 025 00B	Rp 1	55	1	12	-
V14 M32 00B	G 1 1/4 M	55	1	12	-
V14 025 00C	Rp 1	60	1	12	-
V14 M32 00C	G 1 1/4 M	60	1	12	-
V14 025 00D	Rp 1	70	1	12	-
V14 M32 00D	G 1 1/4 M	70	1	12	-

## V14.L1

woody

Anti-condensation thermostatic mixing valve for solid fuel generators - Kv 9 - with reduced fittings P93

Flow coefficient: **Kv 9**

Anti-condensation setting: **45-55-60-70 °C**

Temperature of by-pass hot port fully closing:

**$T_{mix} = T_{set} + 10\text{ °C} = TR$**

Max working temperature: **100 °C**

Max working pressure: **10 bar**



Code	Size	°C			€
V14 M32 00A L1	G 1 M	45	1	12	-
V14 M32 00B L1	G 1 M	55	1	12	-
V14 M32 00C L1	G 1 M	60	1	12	-
V14 M32 00D L1	G 1 M	70	1	12	-

## V14.5R

woody

Thermostatic element for anti-condensation thermostatic mixing valve V14, V14.L1, V14.1

Setting temperature: **45-55-60-70 °C**



Code	°C			€
V14 025 005 AR	45	-	-	-
V14 025 005 BR	55	-	-	-
V14 025 005 CR	60	-	-	-
V14 025 005 DR	70	-	-	-

## V14.1

woody

Anti-condensation thermostatic mixing valve for solid fuel generators - pump connection - male connection - Kv 9

Flow coefficient: **Kv 9**

Anti-condensation setting: **45-55-60-70 °C**

Temperature of by-pass hot port fully closing:

**$T_{mix} = T_{set} + 10\text{ °C} = TR$**

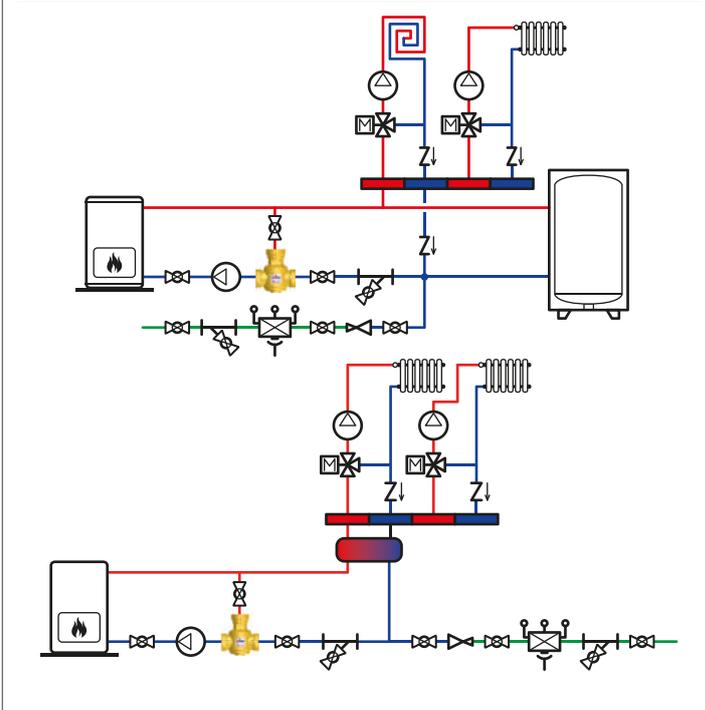
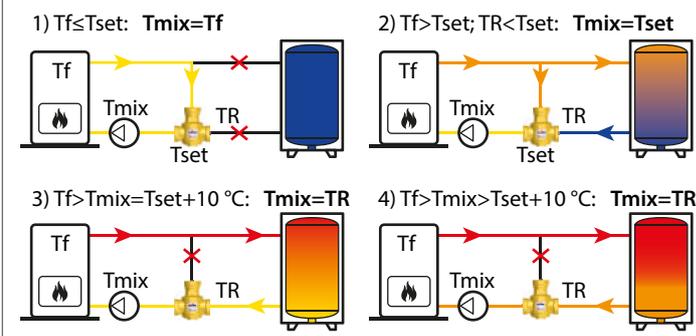
Max working temperature: **100 °C**

Max working pressure: **10 bar**



Code	Size	°C			€
V14 M32 00A 1	G 1 1/2 M - G 1 1/2 RN - G 1 M	45	1	12	-
V14 M32 00B 1	G 1 1/2 M - G 1 1/2 RN - G 1 M	55	1	12	-
V14 M32 00C 1	G 1 1/2 M - G 1 1/2 RN - G 1 M	60	1	12	-
V14 M32 00D 1	G 1 1/2 M - G 1 1/2 RN - G 1 M	70	1	12	-

### Operating principle of V13-V14 and diagrams with buffer storage and direct connection



### Y77.2

Fitting with running nut and flat gasket - M and F connection of the same size

Max working temperature: **110 °C**

Max working pressure: **16 bar**



Code	Size	Kv			€
Y77 A25 000 2	G 1 M - G 1 RN	14	20	80	-

### P93

Fitting with running nut and flat gasket

Max working temperature: **100 °C**

Max working pressure: **25 bar**



Code	Size			€
P93 015 000	G 1/2 M - G 3/4 RN	20	80	-
P93 020 000	G 3/4 M - G 1 RN	16	64	-
P93 025 000	G 1 M - G 1 1/4 RN	8	64	-
P93 032 000	G 1 1/4 M - G 1 1/2 RN	4	32	-

ROTARY  
MIXING VALVES  
AND ACTUATORS

# B2



# NEW M03.4

MULTIFUNCTION ACTUATOR

2⇌1

ALL-IN-ONE  
3P + 2P



RELAY  
TECHNOLOGY



QR CODE  
FOR INFO &  
TRACEABILITY



## NEW KIT 460.1

ALSO AVAILABLE IN KIT VALVE + ACTUATOR

Use as mixing or diverting valve

460 461 475 V60	MIX Standard		MIX		MIX		MIX	
	DEV Standard		DEV Standard		DEV		DEV	
450 451 476 V50	MIX Standard		MIX		---	---	---	---
	DEV Standard		---	---	---	---	---	---
V52 V53	MIX Standard		MIX		---	---	---	---
	DEV Standard		---	---	---	---	---	---
V55	DEV Standard		DEV Standard		---	---	---	---
P51	MIX Standard		MIX		MIX		MIX	
	DEV Standard		DEV Standard		DEV		DEV	
P88	MIX Standard		MIX		---	---	---	---
	DEV Standard		DEV Standard		---	---	---	---
P52	MIX Standard		MIX		---	---	---	---

This table shows the use of the valves in mixing (MIX) or diverting mode (DEV). The valves are supplied with the factory configuration called "Standard". Ports can be used according to the other configurations indicated in the table.

## 3-WAY MIXING VALVES

### 460

3-way mixing valve - F

Max working temperature: **110 °C**

Max working pressure: **10 bar**



Code	Size	Kv			€
460 015 00M N	Rp 1/2	1,6	1	10	-
460 015 00M A	Rp 1/2	2,5	1	10	-
460 020 00M B	Rp 3/4	4	1	10	-
460 020 00M C	Rp 3/4	6	1	10	-
460 025 00M D	Rp 1	8	1	10	-
460 025 00M E	Rp 1	12	1	10	-
460 032 00M F	Rp 1 1/4	15	1	10	-
460 032 00M G	Rp 1 1/4	18	1	10	-
460 040 00M L	Rp 1 1/2	26	1	8	-
460 050 00M M	Rp 2	40	1	8	-

### 461

3-way mixing valve - M

Max working temperature: **110 °C**

Max working pressure: **10 bar**



Code	Size	Kv			€
461 020 00M A	G 3/4 M	2,5	1	10	-
461 025 00M A	G 1 M	2,5	1	10	-
461 025 00M B	G 1 M	4	1	10	-
461 025 00M C	G 1 M	6	1	10	-
461 032 00M D	G 1 1/4 M	8	1	10	-
461 032 00M E	G 1 1/4 M	12	1	10	-
461 040 00M F	G 1 1/2 M	15	1	10	-
461 040 00M G	G 1 1/2 M	18	1	10	-

### V60

Double thread 3-way rotary mixing valve - MF.  
Male and female thread on each port.

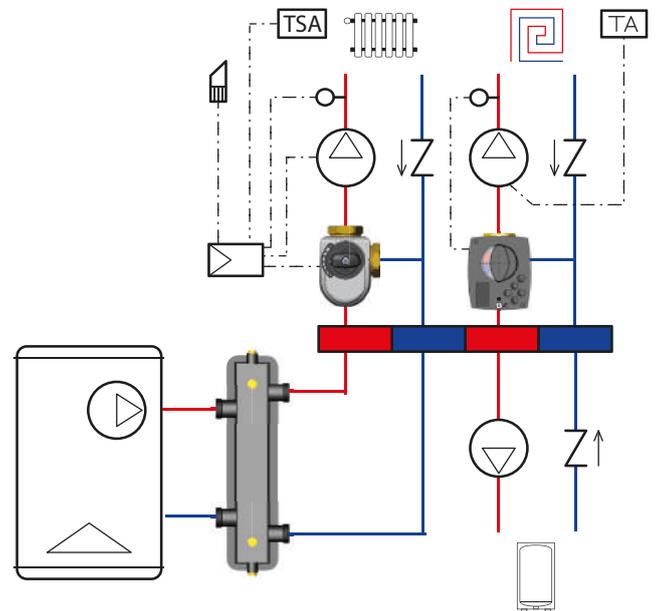
Max working temperature: **110 °C**

Max working pressure: **10 bar**

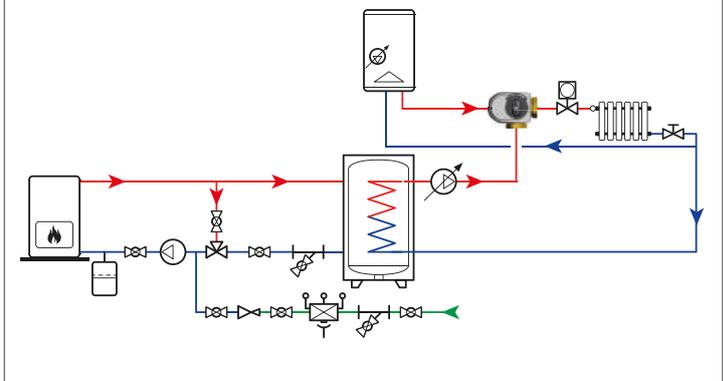


Code	Size	Kv			€
V60 025 00M D	G 1 F+G 1 1/2 M	8	1	10	-
V60 025 00M E	G 1 F+G 1 1/2 M	12	1	10	-

460 mixing valve with M03.3 actuator and weather compensated regulation, 460 mixing valve with P27T2 actuator and fixed point regulation.



Coupling of two generators





## 450

4-way mixing valve - F

Max working temperature: **110 °C**

Max working pressure: **10 bar**



Code	Size	Kv			€
450 015 00M A	Rp 1/2	2,5	1	10	-
450 020 00M B	Rp 3/4	4	1	10	-
450 020 00M C <b>TBS</b>	Rp 3/4	6	1	10	-
450 025 00M D <b>TBS</b>	Rp 1	8	1	10	-
450 025 00M E	Rp 1	12	1	10	-
450 032 00M F	Rp 1 1/4	15	1	10	-
450 032 00M G	Rp 1 1/4	18	1	10	-
450 040 00M L	Rp 1 1/2	26	1	8	-
450 050 00M M	Rp 2	40	1	8	-

## 451

4-way mixing valve - M

Max working temperature: **110 °C**

Max working pressure: **10 bar**



Code	Size	Kv			€
451 020 00M A	G 3/4 M	2,5	1	10	-
451 025 00M B	G 1 M	4	1	10	-
451 025 00M C	G 1 M	6	1	10	-
451 032 00M D	G 1 1/4 M	8	1	10	-
451 032 00M E	G 1 1/4 M	12	1	10	-
451 040 00M F	G 1 1/2 M	15	1	10	-
451 040 00M G	G 1 1/2 M	18	1	10	-

## 441.I

Knob and screw kit for mixing valve manual setting



Code	€
441 015 011 I	-

## V50

Double thread 4-way rotary mixing valve - MF. Male and female thread on each port.

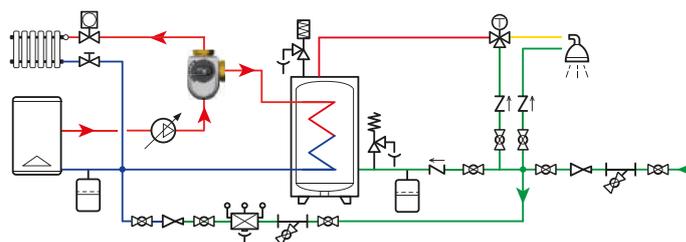
Max working temperature: **110 °C**

Max working pressure: **10 bar**

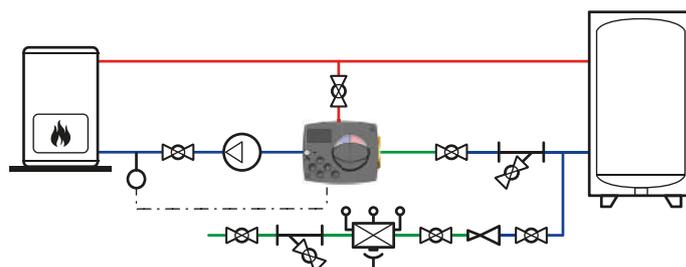


Code	Size	Kv			€
V50 025 00M D	G 1 F+G 1 1/2 M	8	1	10	-

Use of 3-way valves as priority between heating and DHW production



Use of 3-way valves with P27T2 actuator with anti-condensation function



## P93

Fitting with running nut and flat gasket

Max working temperature: **100 °C**

Max working pressure: **25 bar**



Code	Size			€
P93 015 000	G 1/2 M - G 3/4 RN	20	80	-
P93 020 000	G 3/4 M - G 1 RN	16	64	-
P93 025 000	G 1 M - G 1 1/4 RN	8	64	-
P93 032 000	G 1 1/4 M - G 1 1/2 RN	4	32	-



NUMBER OF PIECES IN BOX



NUMBER OF PIECES IN CARTON



ARTICLE THE BEST SELLER



NEW ARTICLE



### V52

Bivalent 4-way mixing valve - F. Can be used as mixing valve (3 inlets, 1 outlet) and diverting valve (1 inlet, 3 outlets).

Working temperature range: **0–110 °C**

Rotation angle: **90°**

Obturator rotation torque: **<5 N·m**

Leakage: **<0,1%**

Suitable fluids: **water for heating systems, glycol solutions (max 50%)**

Max working pressure: **10 bar**



Code	Size	Kv			€
V52 020 OMC	Rp 3/4	6,3	1	10	-
V52 025 OMI	Rp 1	10	1	10	-

### V53

Bivalent 4-way mixing valve - M. Can be used as mixing valve (3 inlets, 1 outlet) and diverting valve (1 inlet, 3 outlets).

Working temperature range: **0–110 °C**

Rotation angle: **90°**

Obturator rotation torque: **<5 N·m**

Leakage: **<0,1%**

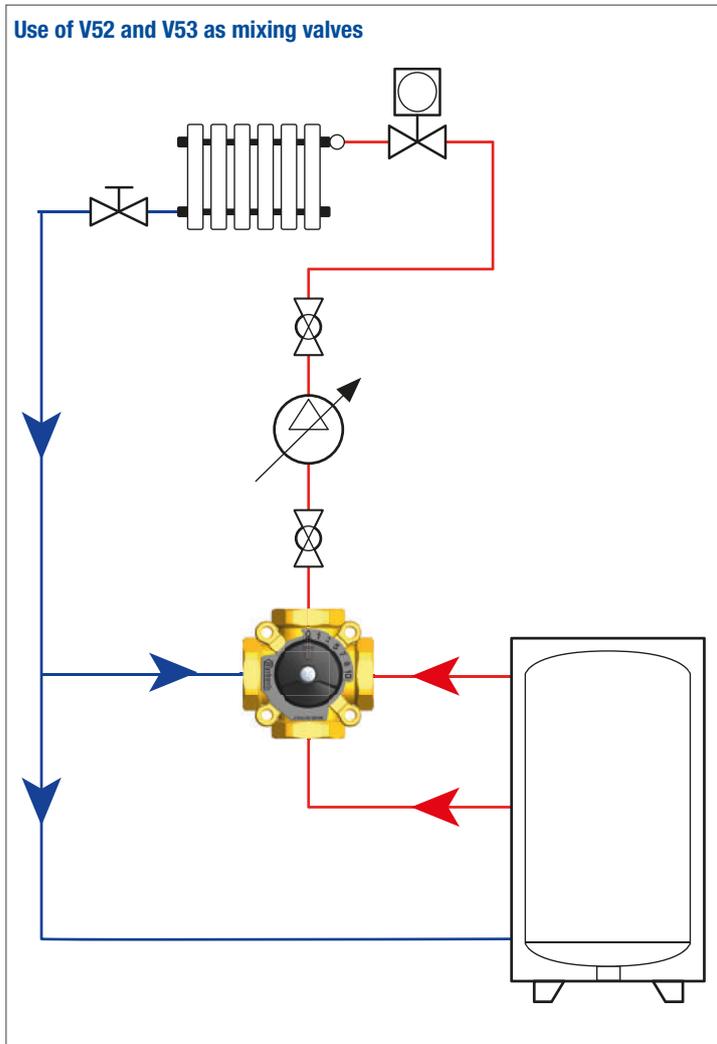
Suitable fluids: **water for heating systems, glycol solutions (max 50%)**

Max working pressure: **10 bar**

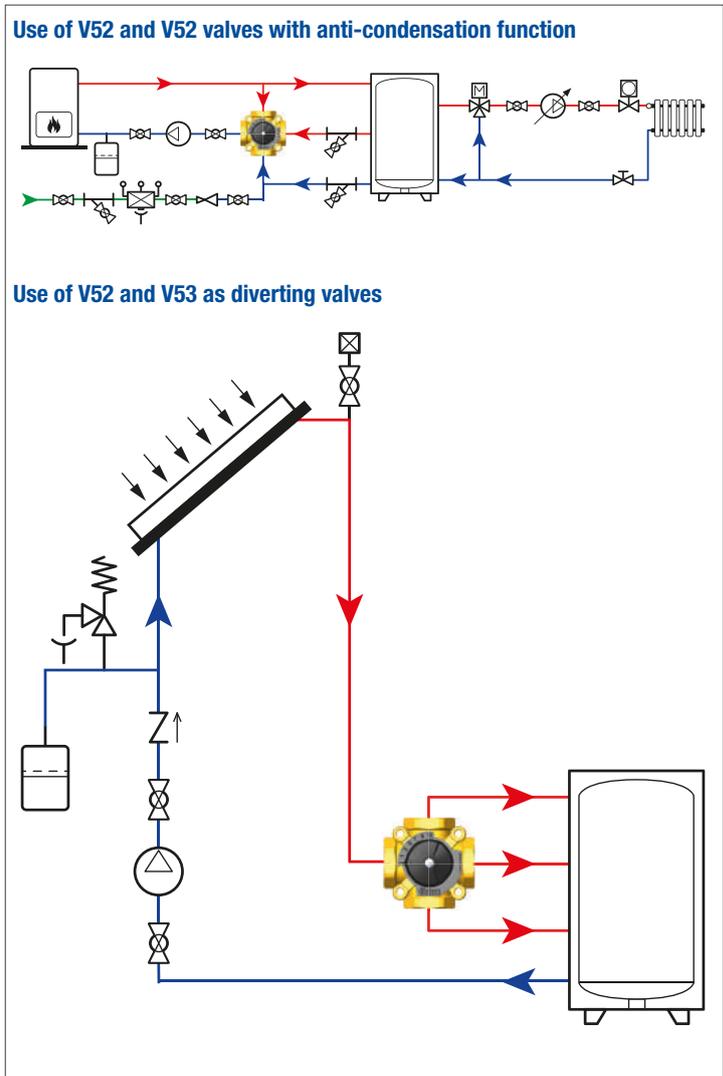


Code	Size	Kv			€
V53 025 OMC	G 1 M	6,3	1	10	-
V53 032 OMI	G 1 1/4 M	10	1	10	-

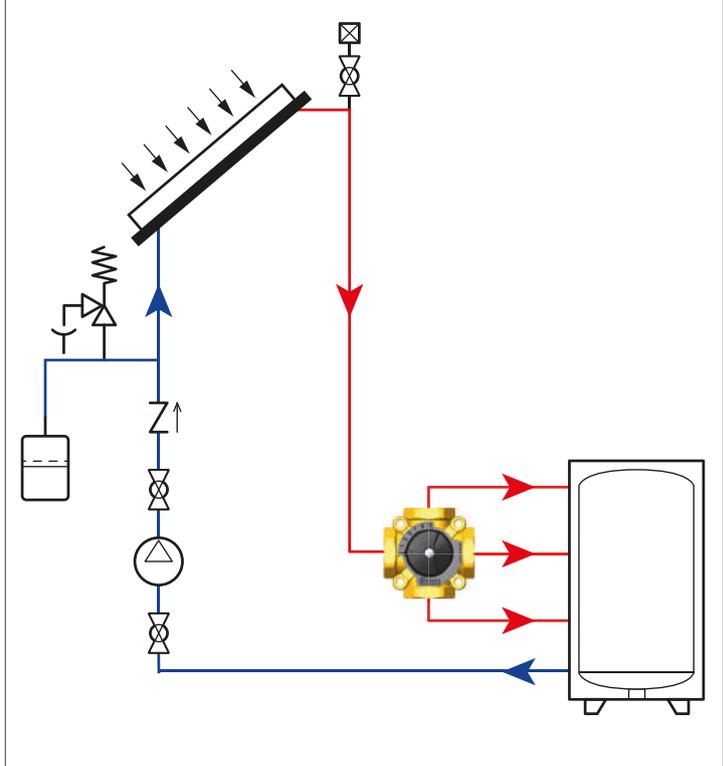
#### Use of V52 and V53 as mixing valves



#### Use of V52 and V53 valves with anti-condensation function



#### Use of V52 and V53 as diverting valves



## 51D.DN20

Kit composed of mixing valve with by-pass, pump connection and T-joint on the return

Max working temperature: **110 °C**  
 Max working pressure: **10 bar**  
 Connection centre distance: **90 mm**



Code	Size	Kv			€
51D 025 0B0	G 1 M - G 1 RN	4	1	8	-

## 51D

Kit composed of mixing valve with by-pass, pump connection and T-joint on the return

Max working temperature: **110 °C**  
 Max working pressure: **10 bar**  
 Connection centre distance: **125 mm**



Code	Size	Kv			€
51D 040 0C0	G 1 1/2 M - G 1 1/2 RN	6	1	8	-
51D 040 0I0	G 1 1/2 M - G 1 1/2 RN	10	1	8	-
51D 050 0G0	G 2 M - G 2 RN	18	1	8	-

## 41D

3-way mixing valve with by-pass fitted to be actuated - pump connection - distribution manifold connection

Max working temperature: **110 °C**  
 Max working pressure: **10 bar**



Code	Size	Kv			€
41D 025 000 B	G 1 M - G 3/4 M - G 1 RN	4	1	10	-
41D 040 000 C	G 1 1/2 M - G 1 M - G 1 1/2 RN	6	1	10	-
41D 040 000 I	G 1 1/2 M - G 1 M - G 1 1/2 RN	10	1	10	-
41D 050 000 G	G 2 M - G 1 1/4 M - G 2 RN	18	1	10	-

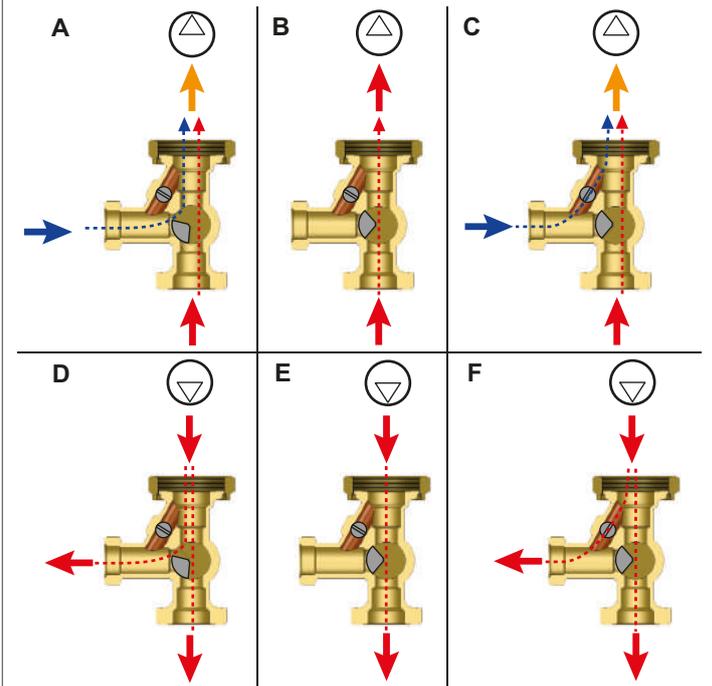
## 440.I

Knob and screw kit for mixing valve manual setting



Code	€
440 015 011 I	-

### Operating principle of 41D and 51D



- A- Mix with by-pass closed
- B- Mix with hot port fully open and by-pass closed
- C- Mix with hot port fully open and by-pass open
- D- Diverting with by-pass closed
- E- Diverting with straight way fully open
- F- Diverting with both straight way and by-pass open

### V55

*New Design*

Motorized rotary diverting valve - F. Complete with actuator with 90° rotation angle, 2 point type, on/off regulation, blocking screw, valve adaptor, anti-rotation pin, 1 m integrated cable, output contact in tension.

Max working temperature: **110 °C**

Leakage: **<0,1%**

Suitable fluids: **water for heating systems, glycol solutions (max 50%)**

Max working pressure: **10 bar**

Torque: **6 N·m**

Rotation angle: **90°**

Protection class: **IP 44**

Frequency: **50-60 Hz**

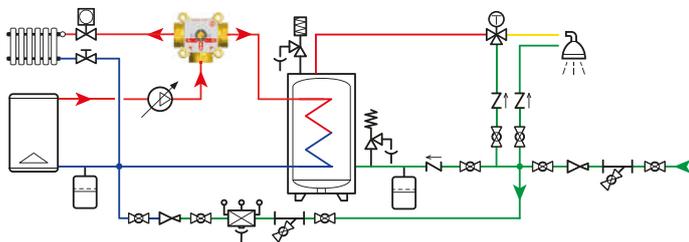
Power consumption: **5 VA**

Aux. microswitch contact rating: **6 (1) A**

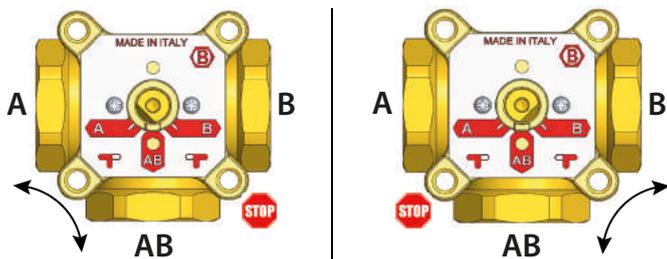


Code	Size	Kv	V	Running time [s]	Nr. poles	Cable [m]			€
V55 015 00A B	Rp 1/2	4	230	22	4	1	1	5	-
V55 020 00A D	Rp 3/4	8	230	22	4	1	1	5	-
V55 025 00A E	Rp 1	12	230	22	4	1	1	5	-
V55 032 00A F	Rp 1 1/4	15	230	22	4	1	1	5	-

#### V55: use as priority between heating and DHW production



#### V55: indications on the plate



The 2 point actuator activates the diverting valve, connecting the AB common port to the A or B port, with a rotation of 90°. The chamfer on the diverter stem indicates the valve position. Due to the shape of the diverter, these valves can be used only as diverting valves.

### M03.21

*New Design*

Spare actuator for V55 diverting valves, rotation angle 90°, 2 point type, on/off regulation. Complete with blocking screw, valve adaptor, anti-rotation pin, 1 m integrated cable, output contact in tension.

Torque: **10 N·m**

Protection class: **IP 44**

Frequency: **50 Hz**

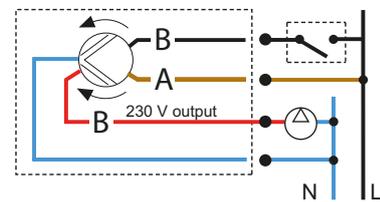
Power consumption: **4 VA**

Aux. microswitch contact rating: **6 (1) A**

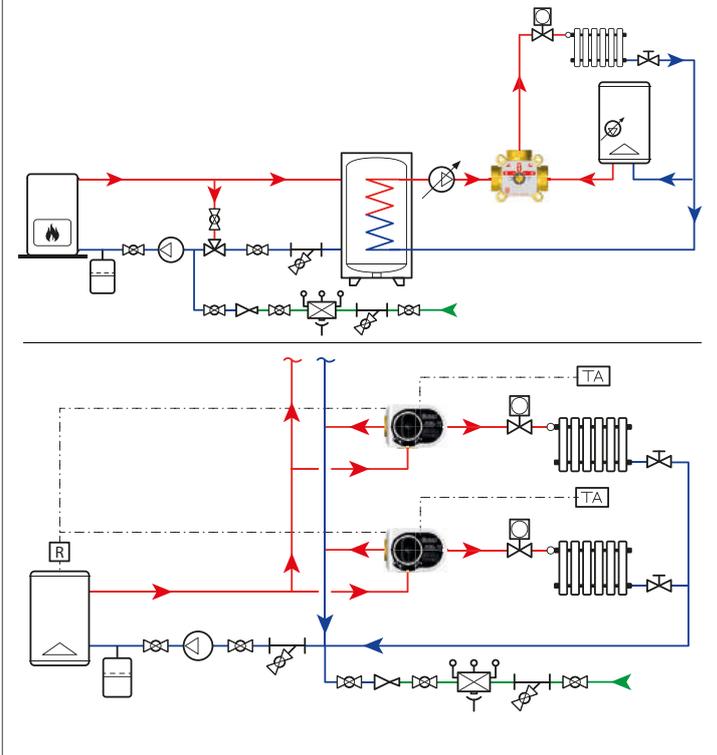


Code	V	Running time [s]	Nr. poles	Cable [m]			€
M03 005 1BD A	230	22	4	1	1	10	-

#### Wiring diagram M03.21, 2 points for diverting valve



#### V55: coupling of two generators/use as zone valve



## 460.1

New

3-way mixing valve with double regulation 3 and 2 point actuator with integrated relay. Female connections. Actuator: rotation angle 90°, blocking screw, valve adaptor, anti-rotation pin, 1,5 m integrated cable.

Max working temperature: 110 °C

Max working pressure: 10 bar

Torque: 10 N·m

Supply: 230 V

Protection class: IP 44

Frequency: 50 Hz

Power consumption: 4 VA



Code	Size	Kv	Running time [s]	Nr. poles			€
460 015 01M N <b>NEW</b>	Rp 1/2	1,6	120	3	1	5	-
460 015 01M A <b>NEW</b>	Rp 1/2	2,5	120	3	1	5	-
460 020 01M B <b>NEW</b>	Rp 3/4	4	120	3	1	5	-
460 020 01M C <b>NEW</b>	Rp 3/4	6	120	3	1	5	-
460 025 01M D <b>NEW</b>	Rp 1	8	120	3	1	5	-
460 025 01M E <b>NEW</b>	Rp 1	12	120	3	1	5	-
460 032 01M F <b>NEW</b>	Rp 1 1/4	15	120	3	1	5	-
460 032 01M G <b>NEW</b>	Rp 1 1/4	18	120	3	1	5	-

## M03.4

New

Actuator for mixing valves with double regulation 3 and 2 points and integrated relay. Rotation angle 90°. Complete with blocking screw, valve adaptor, anti-rotation pin, 1,5 m integrated cable.

Torque: 10 N·m

Protection class: IP 44

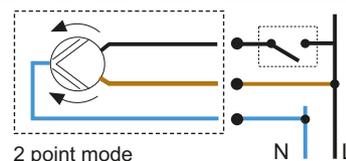
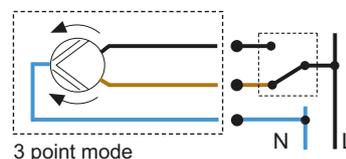
Frequency: 50 Hz

Power consumption: 4 VA



Code	V	Running time [s]	Nr. poles	Cable [m]			€
M03 010 1RA B <b>NEW</b>	230	120	3	1,5	1	16	-

### M03.4: wiring diagram for 3 point and 2 point mode



To select the 3 or 2 point operating mode, it's only necessary to connect the cables according to its respective wiring diagram.

# NEW M03.4

2⇌1

ALL-IN-ONE

NEW KIT 460.1

### M03.3

*New Design*

Actuator for mixing valves, rotation angle 90°, 3 point regulation. Complete with blocking screw, valve adaptor, anti-rotation pin, 1,5 m integrated cable, auxiliary microswitch (only in 6 pole version)

Torque: **10 N·m**

Protection class: **IP 44**

Frequency: **50 Hz**

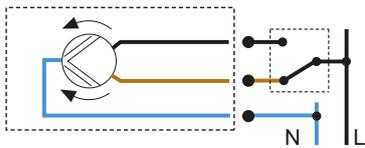
Power consumption: **4 VA**

Aux. microswitch contact rating: **6 (1) A**

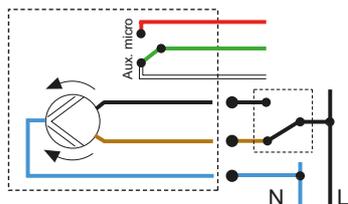


Code	V	Running time [s]	Nr. poles	Cable [m]			€
<b>M03 010 1DA B</b>	230	120	3	1,5	1	16	-
M03 010 1GA B	230	120	6	1,5	1	16	-
M03 010 1DB B	230	60	3	1,5	1	16	-
M03 010 1GB B	230	60	6	1,5	1	16	-
M03 010 2DA B	24	120	3	1,5	1	16	-
M03 010 2GA B	24	120	6	1,5	1	16	-
M03 010 2DB B	24	60	3	1,5	1	16	-
M03 010 2GB B	24	60	6	1,5	1	16	-

Wiring diagram M03.3, 3 poles



Wiring diagram M03.3, 6 poles with aux. microswitch



### M03.2

*New Design*

Actuator for mixing valves (diverting working mode), rotation angle 90°, on/off regulation. Complete with blocking screw, valve adaptor, anti-rotation pin, 1,5 m integrated cable, auxiliary microswitch (only in 6 pole version)

Torque: **10 N·m**

Protection class: **IP 44**

Frequency: **50 Hz**

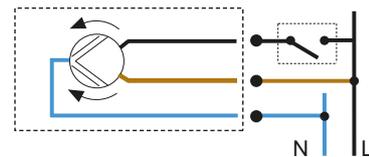
Power consumption: **4 VA**

Aux. microswitch contact rating: **6 (1) A**

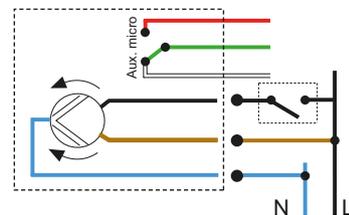


Code	V	Running time [s]	Nr. poles	Cable [m]			€
M03 010 1AA B	230	120	3	1,5	1	16	-
M03 010 1HA B	230	120	6	1,5	1	16	-
M03 010 1AB B	230	60	3	1,5	1	16	-
M03 010 1HB B	230	60	6	1,5	1	16	-
M03 010 2AA B	24	120	3	1,5	1	16	-
M03 010 2AB B	24	60	3	1,5	1	16	-

Wiring diagram M03.2, 3 poles



Wiring diagram M03.2, 6 poles with aux. microswitch



### M03.K

*New Design*

Spare part kit for M03.4, M03.3 and M03.2 actuators. Complete with knob, indicator, blocking screw, mixing valve adaptor, anti-rotation pin.



Code			€
M03 000 000 K	1	-	-

## P27T2

Actuator for mixing valves, rotation angle 90°, for 3 point regulation with integrated probe and temperature regulator. Temperature adjustment range 5–95 °C. Complete with blocking screw, mixing valve adaptor, anti-rotation pin, Pt 1000 probe (1,6 m cable), contact probe holder, integrated Shuko electrical plug (1,9 m cable).

Temperature adjustment range: 5–95 °C

Torque: 6 N·m

Protection class: IP 42

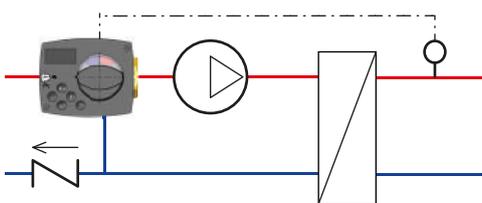
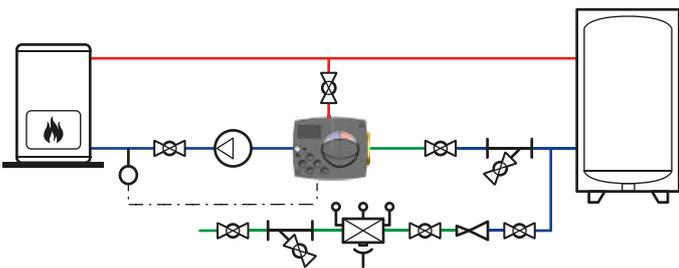
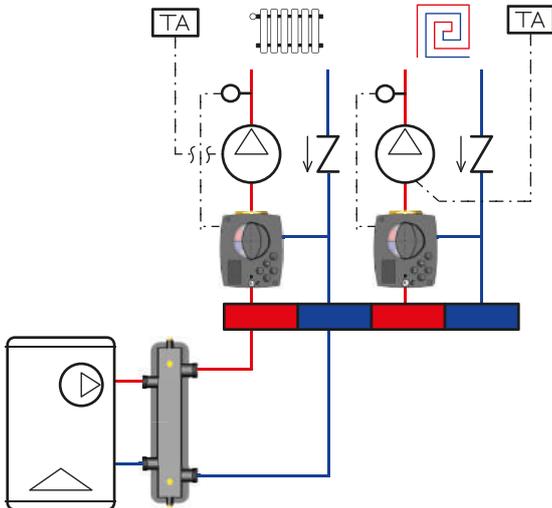
Frequency: 50 Hz

Power consumption: 1,5 VA



Code	V	Running time [s]	Nr. poles	Cable [m]			€
P27 230 010 T2	230	120	2	1,9	1	10	-

**P27T2: fixed point regulation with 3-way mixing valves/Anticondensation for biomass generators/Regulation of a heat exchanger**



## M04

Actuator for mixing valves, rotation angle 90°, proportional regulation 0 (2)-10 V. Complete with blocking screw, valve adaptor, anti-rotation pin, 1,95 m integrated cable

Torque: 5 N·m

Feedback: 0–10 V/4–20 mA

Protection class: IP 42

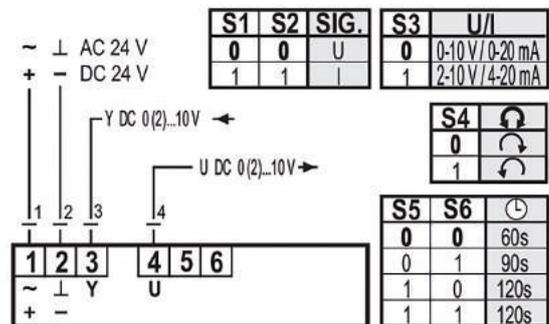
Frequency: 50 Hz

Power consumption: 4 VA



Code	V	Running time [s]	Nr. poles	Cable [m]			€
M04 010 3MA B	24	60 - 90 - 120	4	1,95	1	10	-

Wiring diagram M04 0(2)–10 V



## M04.K

Spare part kit for P27T2 and M04. actuators. Complete with blocking screw, mixing valve adaptor, anti-rotation pin.



Code			€
M04 000 000 K	1	-	-

## 14D.10

Spare probe Pt 1000 for P27T2 actuator.

Working temperature range: -25–150 °C



Code	Size	Cable [m]			€
14D 100 010	4 mm	1	1	-	-

### P51

3-way flanged sector mixing valve - PN 6

Max working temperature: **120 °C**

Max working pressure: **6 bar**

Material: **cast iron**



Code	Size	Kv		€
P51 040 00M M	DN 40	41	1	-
<b>P51 050 00M N</b>	DN 50	65	1	-
P51 065 00M O	DN 65	100	1	-
P51 080 00M P	DN 80	185	1	-
P51 100 00M Q	DN 100	310	1	-
P51 125 00M R	DN 125	510	1	-
P51 150 00M S	DN 150	820	1	-

### P52

4-way flanged butterfly mixing valve - PN 6

Max working temperature: **120 °C**

Max working pressure: **6 bar**

Material: **cast iron**



Code	Size	Kv		€
P52 040 00M M	DN 40	41	1	-
P52 050 00M N	DN 50	65	1	-
P52 065 00M O	DN 65	100	1	-
P52 080 00M P	DN 80	185	1	-
P52 100 00M Q	DN 100	310	1	-
P52 125 00M R	DN 125	510	1	-
P52 150 00M S	DN 150	820	1	-

### P88

3-way flanged butterfly mixing valve - PN 6

Max working temperature: **120 °C**

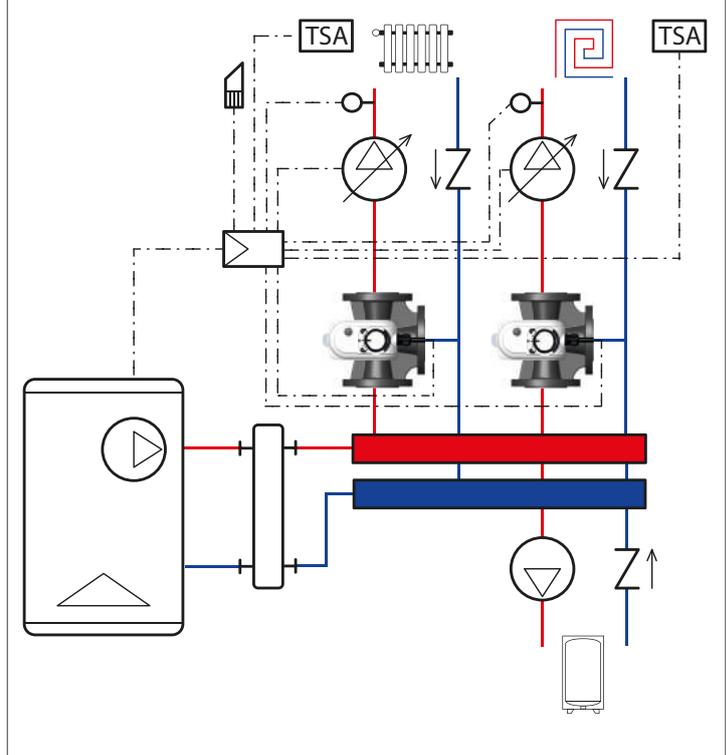
Max working pressure: **6 bar**

Material: **cast iron**

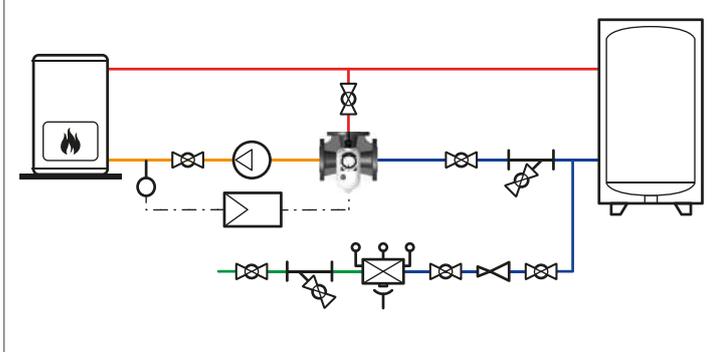


Code	Size	Kv		€
P88 040 00M M	DN 40	41	1	-
P88 050 00M N	DN 50	65	1	-
P88 065 00M O	DN 65	100	1	-
P88 080 00M P	DN 80	185	1	-
P88 100 00M Q	DN 100	310	1	-
P88 125 00M R	DN 125	510	1	-
P88 150 00M S	DN 150	820	1	-

#### P51 mixing valve with weather compensated regulation



#### Use of P51 valve with anti-condensation function





## MO1.K

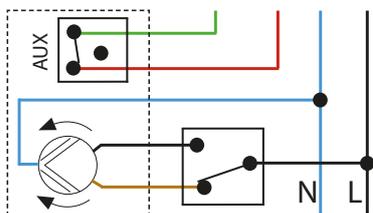
Actuator for flanged mixing valves, rotation angle 90°, 3 point regulation, with auxiliary microswitch and assembling kit (art. P87)

Torque: **20 N-m**  
Protection class: **IP 54**  
Frequency: **50 Hz**  
Power consumption: **4 VA**  
Aux. microswitch contact rating: **6 (1) A**



Code	V	Running time [s]	Nr. poles	Cable [m]			€
M01 020 2FA AK	24	120	5	0,9	1	12	-

Wiring diagram M01, 3 points with aux. microswitch



## MO7.K

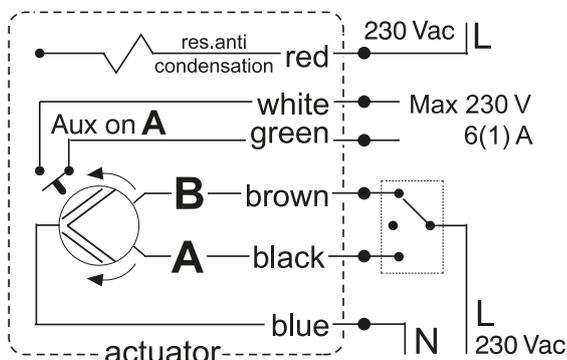
Actuator for flanged mixing valves, rotation angle 90°, 3 point regulation, with auxiliary microswitch and assembling kit (art. P87)

Torque: **18 N-m**  
Protection class: **IP 65**  
Frequency: **50-60 Hz**  
Power consumption: **4,5 VA**  
Aux. microswitch contact rating: **6 (1) A**



Code	V	Running time [s]	Nr. poles	Cable [m]			€
M07 018 10A AK <b>TBS</b>	230	120	6	0,75	1	12	-

Wiring diagram M07, 3 points with aux. microswitch



## MO7.3QK

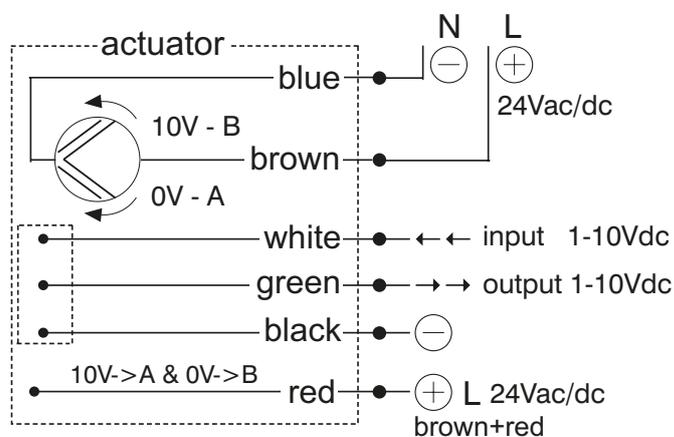
Actuator for flanged mixing valves, rotation angle 90°, 0-10 V regulation, with assembling kit (art. P87)

Torque: **15 N-m**  
Protection class: **IP 65**  
Frequency: **50-60 Hz**  
Power consumption: **6 VA**



Code	V	Running time [s]	Nr. poles	Cable [m]			€
M07 015 3QA AK	24 ac/dc	120	6	0,75	1	12	-

Wiring diagram M07 0-10 V



## P87

Assembling kit for flanged mixing valve actuator



Code			€
P87 000 00K	1	20	-

## V38.05

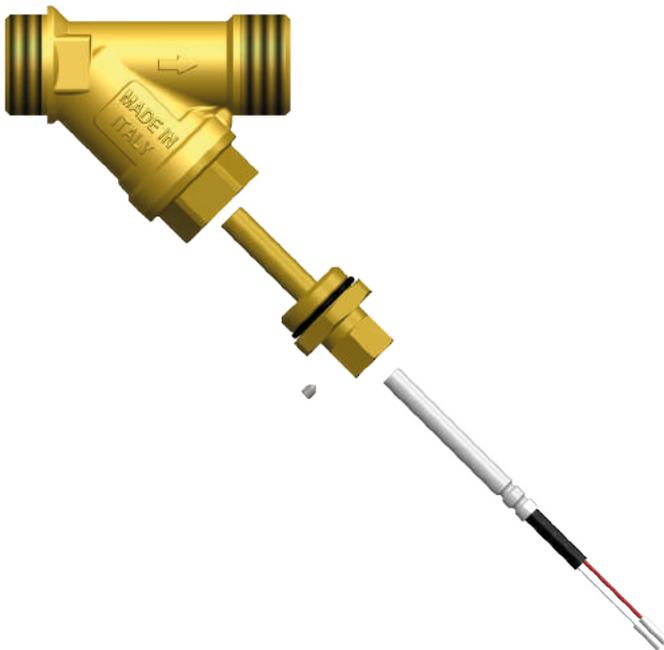
Kit with Y fitting and immersion probe pocket

Max working temperature: **95 °C**  
 Max working pressure: **16 bar**  
 Probe diameter: **6 mm**

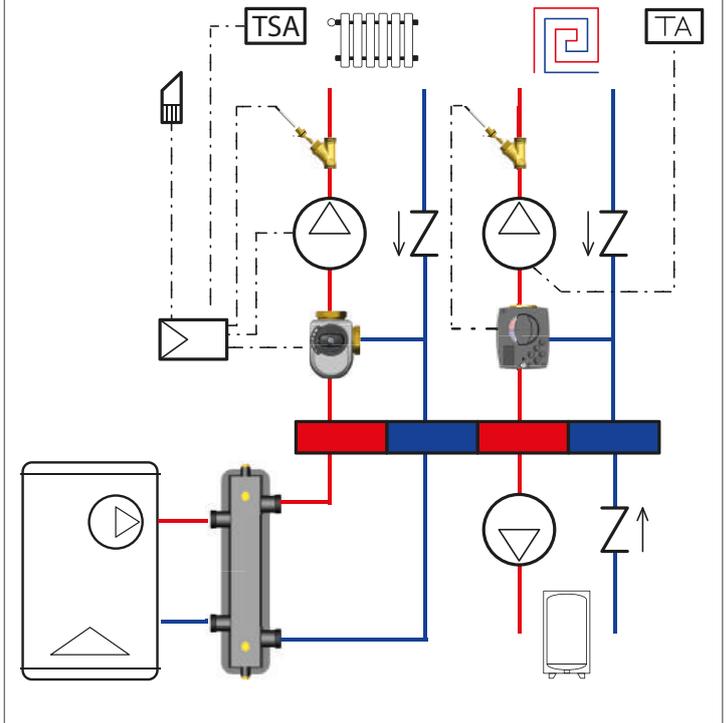


Code	Size			€
V38 020 000 05	G 3/4 M	2	-	-
V38 025 000 05	G 1 M	2	-	-

### Fitting V38.05 with pocket specific for immersion probe



### V38.05: application as probe holder on the flow pipe of a regulating system



## P28.14

Immersion probe pocket - seal on fitting

Max working temperature: **95 °C**  
 Max working pressure: **16 bar**  
 Probe diameter: **6 mm**



Code	Size			€
P28 015 000 14	G 1/2 M	10	50	-

REGULATING  
GROUPS  
AND HEATING  
COMPONENTS

B3



# DN 20

EVERYTHING IN A  
SMALL SPACE



COMPACT



MULTIFUNCTION



EVERYTHING  
UNDER  
CONTROL



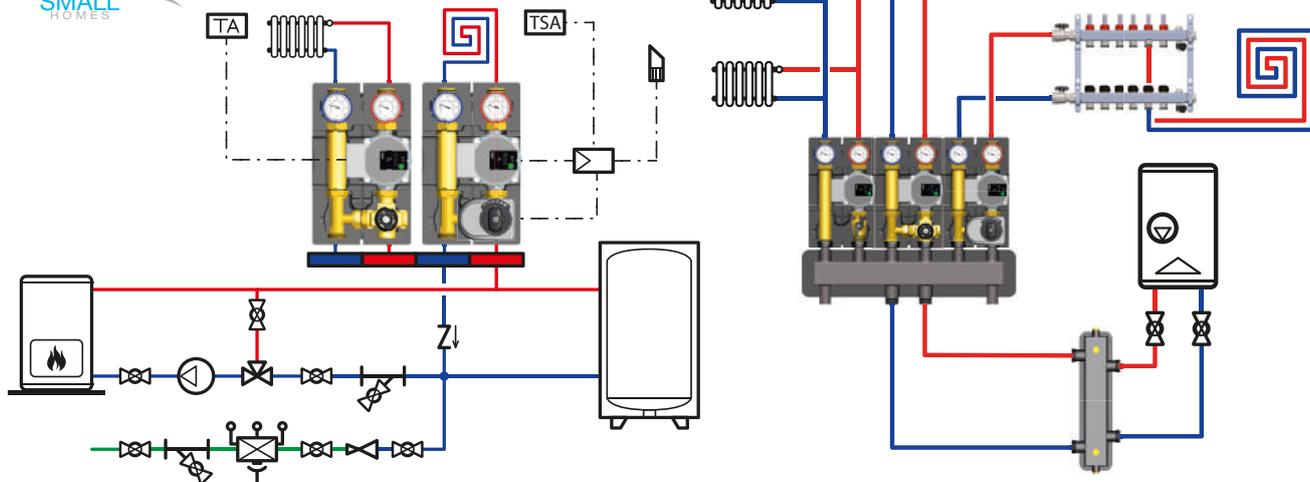
USER  
FRIENDLY



42

## NEW KIT KG2

NOW AVAILABLE IN ALL-IN-ONE KITS



**DISTRIBUTION AND REGULATING GROUPS DN 20**



Reversible without connections for by-pass  
01G.DN20



Reversible without connections for by-pass  
02G.DN20



Reversible without connections for by-pass motorized  
07G.04.DN20



Reversible without connections for by-pass  
07G.DN20

**MANIFOLDS**



Only UP  
3 m<sup>3</sup>/h  
2 and 3 outlets  
P72.DN20



With integrated hydraulic separator  
3 m<sup>3</sup>/h  
2 and 3 outlets  
P74.DN20

**ACCESSORIES**



Bracket for wall mounting:  
42D.DN20

**PUMPS**



Para 15-130/7



UPM3 Auto 15-70 130



UPS0 15-65 130 (Extra EU)

**ACTUATORS**



3 points, 230 V  
M03.3



0(2)-10 V, 24 V  
M04



Fixed point with display, 230 V  
P27T2

### 61G.DN20

New AVAILABLE 6/2021

Kit composed of distribution manifold with integrated hydraulic separator and two direct distribution groups. Invertible - DN 20 - without connections for by-pass. Male and female thread on system side connections. Complete with brackets and insulation.

Max working temperature: **90 °C**

Max working pressure: **4 bar**

Connection centre distance: **90 mm**

Code	Size	Pump	Pump code	m³/h		€
61G 020 10P	G 1 M - (G 1 M+G 3/4 F)	wilo Para 15-130/7-50/SC-9	29A.025	3	1	-



**BAFA**  
L I S T

### 63G.DN20

New AVAILABLE 6/2021

Kit composed of distribution manifold with integrated hydraulic separator, direct distribution group and thermostatic regulating group. Invertible - DN 20 - without connections for by-pass. Male and female thread on system side connections. Complete with brackets and insulation.

Max working temperature: **90 °C**

Max working pressure: **4 bar**

Connection centre distance: **90 mm**

Flow coefficient Kv of the mixing valve only

Code	Size	Kv	Pump	Pump code	m³/h	°C		€
63G 020 10P	G 1 M - (G 1 M+G 3/4 F)	-/3,5	wilo Para 15-130/7-50/SC-9	29A.025	3	30-60	1	-



**BAFA**  
L I S T

### 64G.4.DN20

New AVAILABLE 6/2021

Kit composed of distribution manifold with integrated hydraulic separator, direct distribution group, regulating group with 3-way mixing valve fitted to be actuated and 3 point actuator. Invertible - DN 20 - without connections for by-pass. Male and female thread on system side connections. Complete with brackets and insulation.

Max working temperature: **90 °C**

Max working pressure: **4 bar**

Connection centre distance: **90 mm**

Supply: **230 V**

Running time: **120 s**

Nr. poles: **3**

Torque: **10 N-m**

Protection class: **IP 44**

Frequency: **50 Hz**

Power consumption: **4 VA**

Flow coefficient Kv of the mixing valve only

Code	Size	Kv	Pump	Pump code	m³/h		€
64G 020 14P	G 1 M - (G 1 M+G 3/4 F)	-/4	wilo Para 15-130/7-50/SC-9	29A.025	3	1	-



**BAFA**  
L I S T

## 62G.DN20

New AVAILABLE 6/2021

Kit composed of distribution manifold with integrated hydraulic separator and two regulating groups with thermostatic mixing valve. Invertible - DN 20 - without connections for by-pass. Male and female thread on system side connections. Complete with brackets and insulation.

Max working temperature: **90 °C**  
 Max working pressure: **4 bar**  
 Connection centre distance: **90 mm**  
 Flow coefficient Kv of the mixing valve only

Code	Size	Kv	Pump	Pump code	m³/h	°C		€
62G 020 10P <b>NEW</b>	G 1 M - (G 1 M+G 3/4 F)	3,5/3,5	wilo Para 15-130/7-50/SC-9	29A.025	3	30-60	1	-



**BAFA**  
L I S T

## 67G.4.DN20

New AVAILABLE 6/2021

Kit composed of distribution manifold with integrated hydraulic separator, two regulating groups with 3-way mixing valve fitted to be actuated and 3 point actuator. Invertible - DN 20 - without connections for by-pass. Male and female thread on system side connections. Complete with brackets and insulation.

Max working temperature: **90 °C**  
 Max working pressure: **4 bar**  
 Connection centre distance: **90 mm**  
 Supply: **230 V**  
 Running time: **120 s**  
 Nr. poles: **3**  
 Torque: **10 N·m**  
 Protection class: **IP 44**  
 Frequency: **50 Hz**  
 Power consumption: **4 VA**  
 Flow coefficient Kv of the mixing valve only

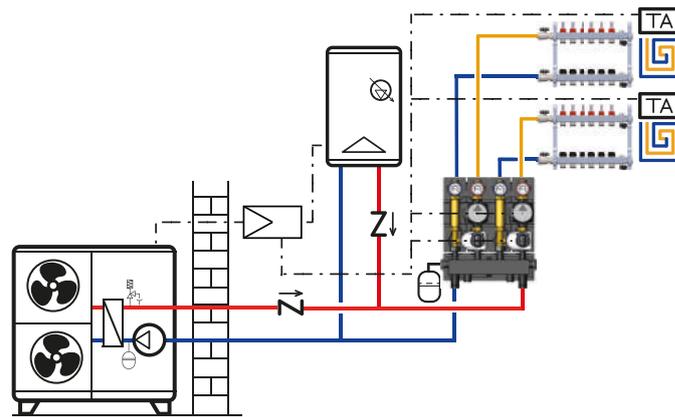
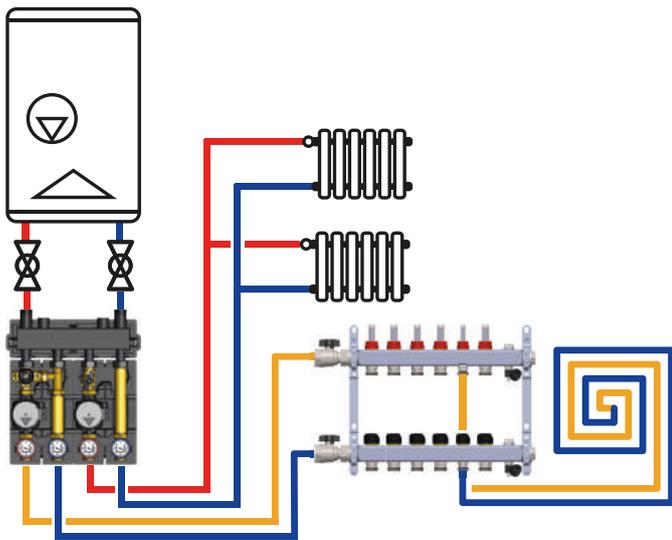
Code	Size	Kv	Pump	Pump code	m³/h		€
67G 020 14P <b>NEW</b>	G 1 M - (G 1 M+G 3/4 F)	4/4	wilo Para 15-130/7-50/SC-9	29A.025	3	1	-



**BAFA**  
L I S T

KG2 kit with integrated hydraulic separator combined with boiler, radiators and radiant panels

KG2 kit with integrated hydraulic separator combined with heat pump, boiler and radiant panels



### 01G.DN20

Direct distribution group - reversible - DN 20 - without connections for by-pass. Male and female thread on system side connections

Max working temperature: **90 °C**

Max working pressure: **10 bar**

Connection centre distance: **90 mm**

Code	Size	Pump	Pump code		€
01G 020 00P	G 1 M - (G 1 M+G 3/4 F)	wilo Para 15-130/7-50/SC-9	29A.025	1	-
01G 020 00L	G 1 M - (G 1 M+G 3/4 F)	GRUNDFOS UPM3 AUTO 15-70 130	25AK.DN20	1	-
01G 020 00F	G 1 M - (G 1 M+G 3/4 F)	GRUNDFOS (Extra EU) UPSO 15-65 130	01A.25	1	-
01G 020 00X	G 1 M - (G 1 M+G 3/4 F)	WITHOUT PUMP	-	1	-



**BAFA**  
LIST

### 02G.DN20

Regulating group with thermostatic mixing valve - reversible - DN 20 - without connections for by-pass. Male and female thread on system side connections

Max working temperature: **90 °C**

Max working pressure: **10 bar**

Connection centre distance: **90 mm**

Flow coefficient Kv of the mixing valve only

Code	Size	Kv	Pump	Pump code	°C		€
02G 020 00P	G 1 M - (G 1 M+G 3/4 F)	3,5	wilo Para 15-130/7-50/SC-9	29A.025	30-60	1	-
02G 020 00L	G 1 M - (G 1 M+G 3/4 F)	3,5	GRUNDFOS UPM3 AUTO 15-70 130	25AK.DN20	30-60	1	-
02G 020 00F	G 1 M - (G 1 M+G 3/4 F)	3,5	GRUNDFOS (Extra EU) UPSO 15-65 130	01A.25	30-60	1	-
02G 020 00X	G 1 M - (G 1 M+G 3/4 F)	3,5	WITHOUT PUMP	-	30-60	1	-
02G 020 00P E	G 1 M - (G 1 M+G 3/4 F)	3,5	wilo Para 15-130/7-50/SC-9	29A.025	25-50	1	-
02G 020 00L E	G 1 M - (G 1 M+G 3/4 F)	3,5	GRUNDFOS UPM3 AUTO 15-70 130	25AK.DN20	25-50	1	-
02G 020 00F E	G 1 M - (G 1 M+G 3/4 F)	3,5	GRUNDFOS (Extra EU) UPSO 15-65 130	01A.25	25-50	1	-
02G 020 00X E	G 1 M - (G 1 M+G 3/4 F)	3,5	WITHOUT PUMP	-	25-50	1	-



**BAFA**  
LIST

### 07G.04.DN20

Regulating group with 3-way mixing valve fitted to be actuated - reversible - DN 20 - 3 point actuator - without connections for by-pass. Male and female thread on system side connections

Max working temperature: **90 °C**

Max working pressure: **10 bar**

Connection centre distance: **90 mm**

Supply: **230 V**

Running time: **120 s**

Nr. poles: **3**

Torque: **10 N·m**

Protection class: **IP 44**

Frequency: **50 Hz**

Power consumption: **4 VA**

Flow coefficient Kv of the mixing valve only

Code	Size	Kv	Pump	Pump code	Cable [m]		€
07G 020 04P	G 1 M - (G 1 M+G 3/4 F)	4	wilo Para 15-130/7-50/SC-9	29A.025	1,5	1	-
07G 020 04L	G 1 M - (G 1 M+G 3/4 F)	4	GRUNDFOS UPM3 AUTO 15-70 130	25AK.DN20	1,5	1	-
07G 020 04F	G 1 M - (G 1 M+G 3/4 F)	4	GRUNDFOS (Extra EU) UPSO 15-65 130	01A.25	1,5	1	-
07G 020 04X	G 1 M - (G 1 M+G 3/4 F)	4	WITHOUT PUMP	-	1,5	1	-



**BAFA**  
LIST



## 07G.DN20

Regulating group with 3-way mixing valve fitted to be actuated - reversible - DN 20 - without connections for by-pass. Male and female thread on system side connections

Max working temperature: **90 °C**

Max working pressure: **10 bar**

Connection centre distance: **90 mm**

Flow coefficient Kv of the mixing valve only

Code	Size	Kv	Pump	Pump code	☐	€
07G 020 00P 	G 1 M - (G 1 M+G 3/4 F)	4	<b>wilo</b> Para 15-130/7-50/SC-9	29A.025	1	-
07G 020 00L 	G 1 M - (G 1 M+G 3/4 F)	4	<b>GRUNDFOS</b> UPM3 AUTO 15-70 130	25AK.DN20	1	-
07G 020 00F	G 1 M - (G 1 M+G 3/4 F)	4	<b>GRUNDFOS</b> (Extra EU) UPSO 15-65 130	01A.25	1	-
07G 020 00X	G 1 M - (G 1 M+G 3/4 F)	4	⊗ WITHOUT PUMP	-	1	-



**BAFA**  
LIST

## P72.DN20

*New Design*

Dual distribution manifold with thermal insulation - wall mounting brackets - complete with running nuts for distribution and regulating group connection

Max working temperature: **100 °C**

Max working pressure: **4 bar**

Connection centre distance: **90 mm**

Material: **steel**

Code	Size	m³/h	Nr. of zones	☐	€
P72 025 002	G 1 M - G 1 RN	3	2	1	-
P72 025 003	G 1 M - G 1 RN	3	3	1	-



## P74.DN20

*New Design*

Distribution manifold with integrated hydraulic separator and thermal insulation - wall mounting brackets - complete with running nuts for distribution and regulating group connection

Max working temperature: **110 °C**

Max working pressure: **4 bar**

Connection centre distance: **90 mm**

Material: **steel**

Code	Size	m³/h	Nr. of zones	☐	€
P74 025 002	G 1 M - G 1 RN	3	2	1	-
P74 025 003	G 1 M - G 1 RN	3	3	1	-



## 42D.DN20

Bracket for wall mounting of the distribution and regulating groups, with screws and anchors

Hole centre distance: **45 mm**

Hole diameter: **8 mm**

Code	☐	☐	€
42D 020 Z00 I	1	25	-



## M03.3

**New Design**

Actuator for mixing valves, rotation angle 90°, 3 point regulation. Complete with blocking screw, valve adaptor, anti-rotation pin, 1,5 m integrated cable, auxiliary microswitch (only in 6 pole version)

Torque: **10 N·m**

Protection class: **IP 44**

Frequency: **50 Hz**

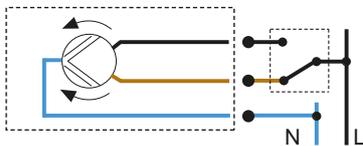
Power consumption: **4 VA**

Aux. microswitch contact rating: **6 (1) A**



Code	V	Running time [s]	Nr. poles	Cable [m]			€
M03 010 1DA B	230	120	3	1,5	1	16	-

### Wiring diagram M03.3, 3 poles



## M04

Actuator for mixing valves, rotation angle 90°, proportional regulation 0 (2)-10 V. Complete with blocking screw, valve adaptor, anti-rotation pin, 1,95 m integrated cable

Torque: **5 N·m**

Feedback: **0-10 V/4-20 mA**

Protection class: **IP 42**

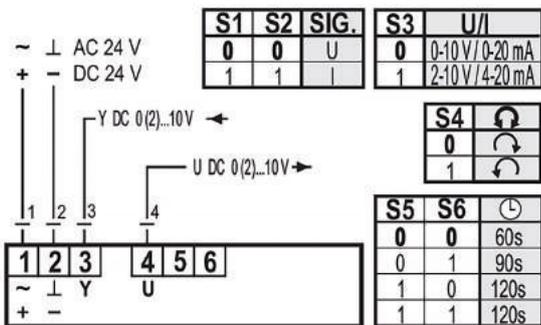
Frequency: **50 Hz**

Power consumption: **4 VA**



Code	V	Running time [s]	Nr. poles	Cable [m]			€
M04 010 3MA B	24	60 - 90 - 120	4	1,95	1	10	-

### Wiring diagram M04 0(2)-10 V



## P27T2

Actuator for mixing valves, rotation angle 90°, for 3 point regulation with integrated probe and temperature regulator. Temperature adjustment range 5-95 °C. Complete with blocking screw, mixing valve adaptor, anti-rotation pin, Pt 1000 probe (1,6 m cable), contact probe holder, integrated Shuko electrical plug (1,9 m cable).

Temperature adjustment range: **5-95 °C**

Torque: **6 N·m**

Protection class: **IP 42**

Frequency: **50 Hz**

Power consumption: **1,5 VA**



Code	V	Running time [s]	Nr. poles	Cable [m]			€
P27 230 010 T2	230	120	2	1,9	1	10	-

## M03.K

**New Design**

Spare part kit for M03.4, M03.3 and M03.2 actuators. Complete with knob, indicator, blocking screw, mixing valve adaptor, anti-rotation pin.



Code			€
M03 000 000 K	1	-	-

## M04.K

Spare part kit for P27T2 and M04. actuators. Complete with blocking screw, mixing valve adaptor, anti-rotation pin.



Code			€
M04 000 000 K	1	-	-

## 14D.10

Spare probe Pt 1000 for P27T2 actuator.

Working temperature range: **-25-150 °C**



Code	Size	Cable [m]			€
14D 100 010	4 mm	1	1	-	-

## 52D.DN20

Kit composed by thermostatic mixing valve, pump connection and T-joint on the return

Flow coefficient: **Kv 3,5**

Max working temperature: **90 °C**

Max working pressure: **10 bar**

Connection centre distance: **90 mm**



Code	Size	°C			€
52D 025 0T1	G 1 M - G 1 RN	25-50	1	8	-
52D 025 0T2	G 1 M - G 1 RN	30-60	1	8	-

## 51D.DN20

Kit composed of mixing valve with by-pass, pump connection and T-joint on the return

Max working temperature: **110 °C**

Max working pressure: **10 bar**

Connection centre distance: **90 mm**



Code	Size	Kv			€
51D 025 0B0	G 1 M - G 1 RN	4	1	8	-

## 630.4

4-way thermostatic mixing valve with 90° inlets - pump and manifold connection - Kv 3,5 - range 30-60 °C

Flow coefficient: **Kv 3,5**

Temperature adjustment range: **30-60 °C**

Max working temperature: **90 °C**

Max working pressure: **10 bar**



Code	Size			€
630 A20 000 4	G 1 M - G 1 RN - G 3/4 M	1	6	-

## 630.104

4-way thermostatic mixing valve with 90° inlets - pump and manifold connection - Kv 3,5 - range 25-50 °C

Flow coefficient: **Kv 3,5**

Temperature adjustment range: **25-50 °C**

Max working temperature: **90 °C**

Max working pressure: **10 bar**



Code	Size			€
630 A20 010 4	G 1 M - G 1 RN - G 3/4 M	1	6	-

## 41D

3-way mixing valve with by-pass fitted to be actuated - pump connection - distribution manifold connection

Max working temperature: **110 °C**

Max working pressure: **10 bar**



Code	Size	Kv			€
41D 025 000 B	G 1 M - G 3/4 M - G 1 RN	4	1	10	-

## 40D.DN20

Extension with flat seat, connection distance 210 mm

Max working temperature: **140 °C**

Max working pressure: **10 bar**



Code	Size			€
40D 025 000	G 1 M - 210 mm	-	16	-

## 40D.1.DN20

Extension with flat seat, connection distance 130 mm

Max working temperature: **140 °C**

Max working pressure: **10 bar**



Code	Size			€
40D 025 001	G 1 M - 130 mm	-	16	-

## 53D.S.DN20 New

Pair of brackets for wall mounting of the distribution manifold P72.DN20 and manifold-separator P74.DN20.

Hole centre distance: **70 mm**

Hole diameter: **11 mm**



Code	Size			€
53D 020 00S 1 <span style="color: yellow;">NEW</span>	for P72.DN20 and P74.DN20	1	-	-



NUMBER OF PIECES IN BOX



NUMBER OF PIECES IN CARTON



ARTICLE THE BEST SELLER



NEW ARTICLE



## 38D.DN20.1

Monobloc with pump connection (ball shut-off valve + temperature gauge) - temperature gauge 0-120 °C - DN 20

Max working temperature: **95 °C**  
Max working pressure: **10 bar**



Code	Size	Knob colour			€
38D 020 000 1	G 1 RN - (G 1 M+G 3/4 F)	red	-	16	-

## 37D.DN20.1

Monobloc with pump connection (ball shut-off valve + temperature gauge + check valve + check valve override) - temperature gauge 0-120 °C - DN 20

Max working temperature: **95 °C**  
Max working pressure: **10 bar**



Code	Size	Knob colour			€
37D 020 000 1	(G 1 M+G 3/4 F) - G 1 RN	blue	-	16	-

## 39D.DN20

Ball shut-off valve with pump connection - male connection

Max working temperature: **95 °C**  
Max working pressure: **10 bar**



Code	Size	Knob colour			€
39D 020 000 1	G 1 RN - G 1 M	black	-	25	-

## 43D.DN20

Distribution and regulating group insulation

Material: **EPP**



Code	Size		€
43D 020 000	for 01G.DN20-02G.DN20	1	-
43D 020 000 1	for 07G.04.DN20-07G.DN20	1	-

## 29A.25

Spare pump Wilo Para with high efficiency (EEI<0,20). With 1 m cable

Max head: **7,7 m w.g.**  
Max working temperature: **100 °C**  
Max working pressure: **10 bar**  
Centre distance: **130 mm**



**BAFA**  
LIST

Code	Size	Pump	Cable [m]	€
29A 025 070 BK	G 1 M	Para 15-130/7-50/SC-9	1	-

## 14D.5

3 pole cable with 90° rapid connector for Wilo Para



Code	Nr. poles	Cable [m]	€
14D 100 005	3	1	-

## 25AK.DN20

Spare pump Grundfos UPM3 AUTO 15-70 130 with high efficiency (EEI<0,20). Complete with 3 pole cable.

Max head: **7 m w.g.**  
Max working temperature: **100 °C**  
Max working pressure: **10 bar**  
Centre distance: **130 mm**



**BAFA**  
LIST

Code	Size	Nr. poles	Cable [m]	€
25A 025 070 BK	G 1 M	3	1	-

## 01A.25

Spare pump Grundfos UPSO 15-65 with 3 constant speeds (Extra EU)

Max head: **6,5 m w.g.**  
Max working temperature: **100 °C**  
Max working pressure: **10 bar**  
Centre distance: **130 mm**



Code	Size	€
01A 025 065 B	G 1 M	-

## ACCESSORIES



Bracket for wall mounting:  
42D.DN25  
42D.DN32



Ball shut-off valve:  
39D, G 1 1/2 RN - G 1 1/2 M  
50D.M50, G 2 RN - G 2 M



Optional versions of groups with tailpieces.  
Tailpieces sold separately also:  
44D.DN25  
44D.DN32

DN 25



DN 32



## MANIFOLDS



Only UP  
3 m<sup>3</sup>/h  
2, 3, 4, 5, 6  
outlets  
P72.DN25

Only UP  
6,5 m<sup>3</sup>/h  
2, 3 outlets  
P72.DN32



UP/DOWN  
3 m<sup>3</sup>/h  
3, 5, 7 outlets  
V34.DN25



With integrated hydraulic separator  
3 m<sup>3</sup>/h  
2 and 3 outlets  
P74

## DIRECT DISTRIBUTION GROUPS



## THERMOSTATIC REGULATING GROUPS



## MOTORIZED REGULATING GROUPS



## HYDRAULIC SEPARATORS



3 and 4,5 m<sup>3</sup>/h  
P73.DN25  
8 m<sup>3</sup>/h  
P73.DN32

4 m<sup>3</sup>/h  
22M.01

3 m<sup>3</sup>/h  
21M.01

## ANTI-CONDENSATION GROUPS



V35

## ACTUATORS



3 points, 230 V  
M03.3



0(2)-10 V, 24 V  
M04



Fixed point with display, 230 V  
P27T2

## PUMPS



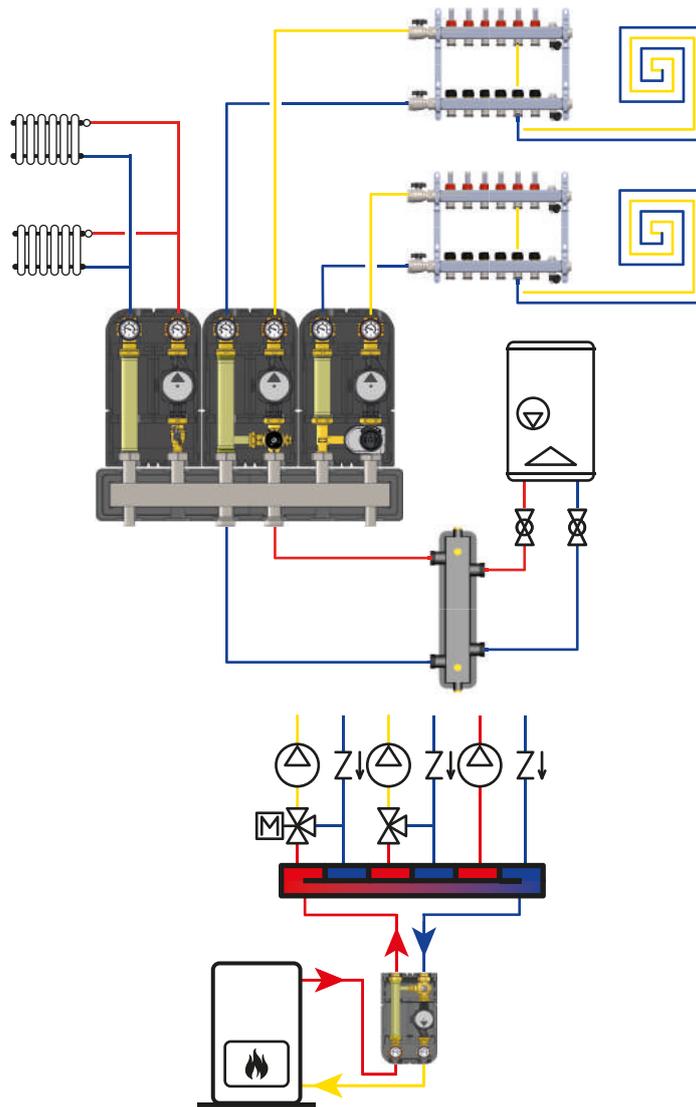
UPM3 Auto 25-70 180  
UPM3 Auto 32-70 180

Para 25-180/7

UPML Auto 25-105 180  
UPML Auto 32-105 180

UPSO 25-65 180 (Extra EU)  
UPSO 32-65 180 (Extra EU)

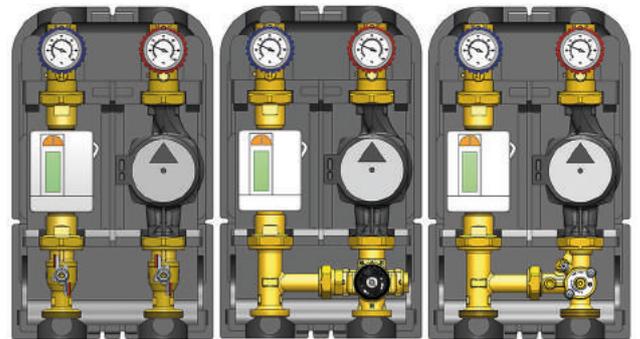
Application diagram with distribution, regulating and anti-condensation groups, hydraulic separator and manifolds



40D.C: fitting for 110 and 130 mm energy metering devices



Energy metering device on groups 23G.DN25, 24G.DN25 and 25G.DN25



Groups 23G.DN25, 24G.DN25 and 25G.DN25 are suitable for 110 or 130 mm energy metering devices and are equipped with immersion probe pocket on the flow monobloc (red knob).

## 01G.DN25

Direct distribution group - reversible - DN 25 - with connections for by-pass (616)

Max working temperature: **90 °C**

Max working pressure: **10 bar**

Connection centre distance: **125 mm**

**BAFA**  
LIST

Code	Size	Pump	Pump code		€
01G 025 00U 	G 1 1/2 M - G 1 F	<b>GRUNDFOS</b> UPM3 AUTO 25-70 180	20AK.DN25	1	-
01G 025 00H 	G 1 1/2 M - G 1 F	<b>wilo</b> Para 25-180/7-50/SC-12	30A	1	-
01G 025 00K 	G 1 1/2 M - G 1 F	<b>GRUNDFOS</b> UPML AUTO 25-105 180	28AK.DN25	1	-
01G 025 00C	G 1 1/2 M - G 1 F	<b>GRUNDFOS</b> (Extra EU) UPSO 25-65 180	05A.DN25	1	-
01G 025 00X	G 1 1/2 M - G 1 F	 WITHOUT PUMP	-	1	-



## 31G.DN25

Direct distribution group - reversible - DN 25 - without connections for by-pass

Max working temperature: **90 °C**

Max working pressure: **10 bar**

Connection centre distance: **125 mm**

**BAFA**  
LIST

Code	Size	Pump	Pump code		€
31G 025 00U	G 1 1/2 M - G 1 F	<b>GRUNDFOS</b> UPM3 AUTO 25-70 180	20AK.DN25	1	-
31G 025 00H	G 1 1/2 M - G 1 F	<b>wilo</b> Para 25-180/7-50/SC-12	30A	1	-
31G 025 00K 	G 1 1/2 M - G 1 F	<b>GRUNDFOS</b> UPML AUTO 25-105 180	28AK.DN25	1	-
31G 025 00C	G 1 1/2 M - G 1 F	<b>GRUNDFOS</b> (Extra EU) UPSO 25-65 180	05A.DN25	1	-
31G 025 00X	G 1 1/2 M - G 1 F	 WITHOUT PUMP	-	1	-



## 23G.DN25

Direct distribution group - reversible - DN 25 - fitted for energy meter (G 3/4 110 mm, G 1 130 mm) - without connections for by-pass

Max working temperature: **90 °C**

Max working pressure: **10 bar**

Connection centre distance: **125 mm**

**BAFA**  
LIST

Code	Size	Pump	Pump code		€
23G 025 00U	G 1 1/2 M - G 1 F	<b>GRUNDFOS</b> UPM3 AUTO 25-70 180	20AK.DN25	1	-
23G 025 00H 	G 1 1/2 M - G 1 F	<b>wilo</b> Para 25-180/7-50/SC-12	30A	1	-
23G 025 00K 	G 1 1/2 M - G 1 F	<b>GRUNDFOS</b> UPML AUTO 25-105 180	28AK.DN25	1	-
23G 025 00C	G 1 1/2 M - G 1 F	<b>GRUNDFOS</b> (Extra EU) UPSO 25-65 180	05A.DN25	1	-
23G 025 00X	G 1 1/2 M - G 1 F	 WITHOUT PUMP	-	1	-



### 02G.DN25

Regulating group with thermostatic mixing valve - reversible - DN 25 - with connections for by-pass (616)

Max working temperature: **90 °C**

Max working pressure: **10 bar**

Connection centre distance: **125 mm**

Flow coefficient Kv of the mixing valve only

#### BAFA

Code	Size	Kv	Pump	Pump code	°C		€
02G 025 00U 	G 1 1/2 M - G 1 F	3,5	<b>GRUNDFOS</b> UPM3 AUTO 25-70 180	20AK.DN25	30-60	1	-
02G 025 00H 	G 1 1/2 M - G 1 F	3,5	<b>wilo</b> Para 25-180/7-50/SC-12	30A	30-60	1	-
02G 025 00K 	G 1 1/2 M - G 1 F	3,5	<b>GRUNDFOS</b> UPML AUTO 25-105 180	28AK.DN25	30-60	1	-
02G 025 00C	G 1 1/2 M - G 1 F	3,5	<b>GRUNDFOS</b> (Extra EU) UPSO 25-65 180	05A.DN25	30-60	1	-
02G 025 00X	G 1 1/2 M - G 1 F	3,5	 WITHOUT PUMP	-	30-60	1	-
02G 025 00U E 	G 1 1/2 M - G 1 F	3,5	<b>GRUNDFOS</b> UPM3 AUTO 25-70 180	20AK.DN25	25-50	1	-
02G 025 00H E 	G 1 1/2 M - G 1 F	3,5	<b>wilo</b> Para 25-180/7-50/SC-12	30A	25-50	1	-
02G 025 00K E 	G 1 1/2 M - G 1 F	3,5	<b>GRUNDFOS</b> UPML AUTO 25-105 180	28AK.DN25	25-50	1	-
02G 025 00C E	G 1 1/2 M - G 1 F	3,5	<b>GRUNDFOS</b> (Extra EU) UPSO 25-65 180	05A.DN25	25-50	1	-
02G 025 00X E	G 1 1/2 M - G 1 F	3,5	 WITHOUT PUMP	-	25-50	1	-



### 32G.DN25

Regulating group with thermostatic mixing valve - reversible - DN 25 - without connections for by-pass

Max working temperature: **90 °C**

Max working pressure: **10 bar**

Connection centre distance: **125 mm**

Flow coefficient Kv of the mixing valve only

#### BAFA

Code	Size	Kv	Pump	Pump code	°C		€
32G 025 00U	G 1 1/2 M - G 1 F	3,5	<b>GRUNDFOS</b> UPM3 AUTO 25-70 180	20AK.DN25	30-60	1	-
32G 025 00H	G 1 1/2 M - G 1 F	3,5	<b>wilo</b> Para 25-180/7-50/SC-12	30A	30-60	1	-
32G 025 00K 	G 1 1/2 M - G 1 F	3,5	<b>GRUNDFOS</b> UPML AUTO 25-105 180	28AK.DN25	30-60	1	-
32G 025 00C	G 1 1/2 M - G 1 F	3,5	<b>GRUNDFOS</b> (Extra EU) UPSO 25-65 180	05A.DN25	30-60	1	-
32G 025 00X	G 1 1/2 M - G 1 F	3,5	 WITHOUT PUMP	-	30-60	1	-
32G 025 00U E	G 1 1/2 M - G 1 F	3,5	<b>GRUNDFOS</b> UPM3 AUTO 25-70 180	20AK.DN25	25-50	1	-
32G 025 00H E	G 1 1/2 M - G 1 F	3,5	<b>wilo</b> Para 25-180/7-50/SC-12	30A	25-50	1	-
32G 025 00K E 	G 1 1/2 M - G 1 F	3,5	<b>GRUNDFOS</b> UPML AUTO 25-105 180	28AK.DN25	25-50	1	-
32G 025 00C E	G 1 1/2 M - G 1 F	3,5	<b>GRUNDFOS</b> (Extra EU) UPSO 25-65 180	05A.DN25	25-50	1	-
32G 025 00X E	G 1 1/2 M - G 1 F	3,5	 WITHOUT PUMP	-	25-50	1	-





## 24G.DN25

Regulating group with thermostatic mixing valve - reversible - DN 25 - fitted for energy meter (G 3/4 110 mm, G 1 130 mm) - without connections for by-pass

Max working temperature: **90 °C**

Max working pressure: **10 bar**

Connection centre distance: **125 mm**

Flow coefficient Kv of the mixing valve only

## BAFA

L I S T

Code	Size	Kv	Pump	Pump code	°C		€
24G 025 00U	G 1 1/2 M - G 1 F	3,5	<b>GRUNDFOS</b> UPM3 AUTO 25-70 180	20AK.DN25	30-60	1	-
<b>24G 025 00H</b> 	G 1 1/2 M - G 1 F	3,5	<b>wilo</b> Para 25-180/7-50/SC-12	30A	30-60	1	-
<b>24G 025 00K</b> 	G 1 1/2 M - G 1 F	3,5	<b>GRUNDFOS</b> UPML AUTO 25-105 180	28AK.DN25	30-60	1	-
24G 025 00C	G 1 1/2 M - G 1 F	3,5	<b>GRUNDFOS</b> (Extra EU) UPSO 25-65 180	05A.DN25	30-60	1	-
24G 025 00X	G 1 1/2 M - G 1 F	3,5	 WITHOUT PUMP	-	30-60	1	-
24G 025 00U E	G 1 1/2 M - G 1 F	3,5	<b>GRUNDFOS</b> UPM3 AUTO 25-70 180	20AK.DN25	25-50	1	-
<b>24G 025 00H E</b> 	G 1 1/2 M - G 1 F	3,5	<b>wilo</b> Para 25-180/7-50/SC-12	30A	25-50	1	-
<b>24G 025 00K E</b> 	G 1 1/2 M - G 1 F	3,5	<b>GRUNDFOS</b> UPML AUTO 25-105 180	28AK.DN25	25-50	1	-
24G 025 00C E	G 1 1/2 M - G 1 F	3,5	<b>GRUNDFOS</b> (Extra EU) UPSO 25-65 180	05A.DN25	25-50	1	-
24G 025 00X E	G 1 1/2 M - G 1 F	3,5	 WITHOUT PUMP	-	25-50	1	-



NUMBER OF PIECES IN BOX



NUMBER OF PIECES IN CARTON



ARTICLE THE BEST SELLER



NEW ARTICLE



### 07G.DN25-09G.DN25

Regulating group with 3-way mixing valve fitted to be actuated - reversible - DN 25 - with connections for by-pass (616)

Max working temperature: **90 °C**

Max working pressure: **10 bar**

Connection centre distance: **125 mm**

Flow coefficient Kv of the mixing valve only

Code	Size	Kv	Pump	Pump code		€
07G 025 00U 	G 1 1/2 M - G 1 F	6	<b>GRUNDFOS</b> UPM3 AUTO 25-70 180	20AK.DN25	1	-
07G 025 00H 	G 1 1/2 M - G 1 F	6	<b>wilo</b> Para 25-180/7-50/SC-12	30A	1	-
07G 025 00K 	G 1 1/2 M - G 1 F	6	<b>GRUNDFOS</b> UPML AUTO 25-105 180	28AK.DN25	1	-
07G 025 00C	G 1 1/2 M - G 1 F	6	<b>GRUNDFOS</b> (Extra EU) UPSO 25-65 180	05A.DN25	1	-
07G 025 00X	G 1 1/2 M - G 1 F	6	 WITHOUT PUMP	-	1	-
09G 025 00U 	G 1 1/2 M - G 1 F	10	<b>GRUNDFOS</b> UPM3 AUTO 25-70 180	20AK.DN25	1	-
09G 025 00H 	G 1 1/2 M - G 1 F	10	<b>wilo</b> Para 25-180/7-50/SC-12	30A	1	-
09G 025 00K 	G 1 1/2 M - G 1 F	10	<b>GRUNDFOS</b> UPML AUTO 25-105 180	28AK.DN25	1	-
09G 025 00C	G 1 1/2 M - G 1 F	10	<b>GRUNDFOS</b> (Extra EU) UPSO 25-65 180	05A.DN25	1	-
09G 025 00X	G 1 1/2 M - G 1 F	10	 WITHOUT PUMP	-	1	-



**BAFA**  
LIST

### 37G.DN25-39G.DN25

Regulating group with 3-way mixing valve fitted to be actuated - reversible - DN 25 - without connections for by-pass

Max working temperature: **90 °C**

Max working pressure: **10 bar**

Connection centre distance: **125 mm**

Flow coefficient Kv of the mixing valve only

Code	Size	Kv	Pump	Pump code		€
37G 025 00U	G 1 1/2 M - G 1 F	6	<b>GRUNDFOS</b> UPM3 AUTO 25-70 180	20AK.DN25	1	-
37G 025 00H	G 1 1/2 M - G 1 F	6	<b>wilo</b> Para 25-180/7-50/SC-12	30A	1	-
37G 025 00K 	G 1 1/2 M - G 1 F	6	<b>GRUNDFOS</b> UPML AUTO 25-105 180	28AK.DN25	1	-
37G 025 00C	G 1 1/2 M - G 1 F	6	<b>GRUNDFOS</b> (Extra EU) UPSO 25-65 180	05A.DN25	1	-
37G 025 00X	G 1 1/2 M - G 1 F	6	 WITHOUT PUMP	-	1	-
39G 025 00U	G 1 1/2 M - G 1 F	10	<b>GRUNDFOS</b> UPM3 AUTO 25-70 180	20AK.DN25	1	-
39G 025 00H	G 1 1/2 M - G 1 F	10	<b>wilo</b> Para 25-180/7-50/SC-12	30A	1	-
39G 025 00K 	G 1 1/2 M - G 1 F	10	<b>GRUNDFOS</b> UPML AUTO 25-105 180	28AK.DN25	1	-
39G 025 00C	G 1 1/2 M - G 1 F	10	<b>GRUNDFOS</b> (Extra EU) UPSO 25-65 180	05A.DN25	1	-
39G 025 00X	G 1 1/2 M - G 1 F	10	 WITHOUT PUMP	-	1	-



**BAFA**  
LIST

### 25G.DN25

Regulating group with 3-way mixing valve fitted to be actuated - reversible - DN 25 - fitted for energy meter (G 3/4 110 mm, G 1 130 mm) - without connections for by-pass

Max working temperature: **90 °C**

Max working pressure: **10 bar**

Connection centre distance: **125 mm**

Flow coefficient Kv of the mixing valve only

Code	Size	Kv	Pump	Pump code		€
25G 025 00U	G 1 1/2 M - G 1 F	6	<b>GRUNDFOS</b> UPM3 AUTO 25-70 180	20AK.DN25	1	-
25G 025 00H 	G 1 1/2 M - G 1 F	6	<b>wilo</b> Para 25-180/7-50/SC-12	30A	1	-
25G 025 00K 	G 1 1/2 M - G 1 F	6	<b>GRUNDFOS</b> UPML AUTO 25-105 180	28AK.DN25	1	-
25G 025 00C	G 1 1/2 M - G 1 F	6	<b>GRUNDFOS</b> (Extra EU) UPSO 25-65 180	05A.DN25	1	-
25G 025 00X	G 1 1/2 M - G 1 F	6	 WITHOUT PUMP	-	1	-



**BAFA**  
LIST

## 03G.DN25-05G.DN25

Regulating group with 3-way mixing valve fitted to be actuated - DN 25 - with connections for by-pass (616)

Max working temperature: **90 °C**

Max working pressure: **10 bar**

Connection centre distance: **125 mm**

Flow coefficient Kv of the mixing valve only

Code	Size	Kv	Pump	Pump code		€
03G 025 00U	G 1 1/2 M - G 1 F	6	<b>GRUNDFOS</b> UPM3 AUTO 25-70 180	20AK.DN25	1	-
03G 025 00H	G 1 1/2 M - G 1 F	6	<b>wilo</b> Para 25-180/7-50/SC-12	30A	1	-
<b>03G 025 00K</b> 	G 1 1/2 M - G 1 F	6	<b>GRUNDFOS</b> UPML AUTO 25-105 180	28AK.DN25	1	-
03G 025 00C	G 1 1/2 M - G 1 F	6	<b>GRUNDFOS</b> (Extra EU) UPSO 25-65 180	05A.DN25	1	-
03G 025 00X	G 1 1/2 M - G 1 F	6	 WITHOUT PUMP	-	1	-
05G 025 00U	G 1 1/2 M - G 1 F	10	<b>GRUNDFOS</b> UPM3 AUTO 25-70 180	20AK.DN25	1	-
05G 025 00H	G 1 1/2 M - G 1 F	10	<b>wilo</b> Para 25-180/7-50/SC-12	30A	1	-
<b>05G 025 00K</b> 	G 1 1/2 M - G 1 F	10	<b>GRUNDFOS</b> UPML AUTO 25-105 180	28AK.DN25	1	-
05G 025 00C	G 1 1/2 M - G 1 F	10	<b>GRUNDFOS</b> (Extra EU) UPSO 25-65 180	05A.DN25	1	-
05G 025 00X	G 1 1/2 M - G 1 F	10	 WITHOUT PUMP	-	1	-



**BAFA**  
L I S T

## 33G.DN25-35G.DN25

Regulating group with 3-way mixing valve fitted to be actuated - DN 25 - without connections for by-pass

Max working temperature: **90 °C**

Max working pressure: **10 bar**

Connection centre distance: **125 mm**

Flow coefficient Kv of the mixing valve only

Code	Size	Kv	Pump	Pump code		€
33G 025 00U	G 1 1/2 M - G 1 F	6	<b>GRUNDFOS</b> UPM3 AUTO 25-70 180	20AK.DN25	1	-
33G 025 00H	G 1 1/2 M - G 1 F	6	<b>wilo</b> Para 25-180/7-50/SC-12	30A	1	-
<b>33G 025 00K</b> 	G 1 1/2 M - G 1 F	6	<b>GRUNDFOS</b> UPML AUTO 25-105 180	28AK.DN25	1	-
33G 025 00C	G 1 1/2 M - G 1 F	6	<b>GRUNDFOS</b> (Extra EU) UPSO 25-65 180	05A.DN25	1	-
33G 025 00X	G 1 1/2 M - G 1 F	6	 WITHOUT PUMP	-	1	-
35G 025 00U	G 1 1/2 M - G 1 F	10	<b>GRUNDFOS</b> UPM3 AUTO 25-70 180	20AK.DN25	1	-
35G 025 00H	G 1 1/2 M - G 1 F	10	<b>wilo</b> Para 25-180/7-50/SC-12	30A	1	-
<b>35G 025 00K</b> 	G 1 1/2 M - G 1 F	10	<b>GRUNDFOS</b> UPML AUTO 25-105 180	28AK.DN25	1	-
35G 025 00C	G 1 1/2 M - G 1 F	10	<b>GRUNDFOS</b> (Extra EU) UPSO 25-65 180	05A.DN25	1	-
35G 025 00X	G 1 1/2 M - G 1 F	10	 WITHOUT PUMP	-	1	-



**BAFA**  
L I S T

## M03.3

*New Design*

Actuator for mixing valves, rotation angle 90°, 3 point regulation. Complete with blocking screw, valve adaptor, anti-rotation pin, 1,5 m integrated cable, auxiliary microswitch (only in 6 pole version)

Torque: **10 N·m**

Protection class: **IP 44**

Frequency: **50 Hz**

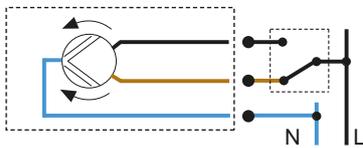
Power consumption: **4 VA**

Aux. microswitch contact rating: **6 (1) A**



Code	V	Running time [s]	Nr. poles	Cable [m]			€
M03 010 1DA B	230	120	3	1,5	1	16	-

### Wiring diagram M03.3, 3 poles



## M03.K

*New Design*

Spare part kit for M03.4, M03.3 and M03.2 actuators. Complete with knob, indicator, blocking screw, mixing valve adaptor, anti-rotation pin.



Code			€
M03 000 000 K	1	-	-

## P27T2

Actuator for mixing valves, rotation angle 90°, for 3 point regulation with integrated probe and temperature regulator. Temperature adjustment range 5–95 °C. Complete with blocking screw, mixing valve adaptor, anti-rotation pin, Pt 1000 probe (1,6 m cable), contact probe holder, integrated Shuko electrical plug (1,9 m cable).

Temperature adjustment range: **5–95 °C**

Torque: **6 N·m**

Protection class: **IP 42**

Frequency: **50 Hz**

Power consumption: **1,5 VA**



Code	V	Running time [s]	Nr. poles	Cable [m]			€
P27 230 010 T2	230	120	2	1,9	1	10	-

## M04.K

Spare part kit for P27T2 and M04. actuators. Complete with blocking screw, mixing valve adaptor, anti-rotation pin.



Code			€
M04 000 000 K	1	-	-

## 14D.10

Spare probe Pt 1000 for P27T2 actuator.

Working temperature range: **-25–150 °C**



Code	Size	Cable [m]			€
14D 100 010	4 mm	1	1	-	-

# M04

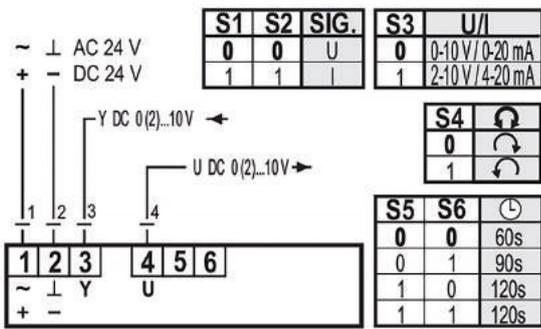
Actuator for mixing valves, rotation angle 90°, proportional regulation 0 (2)-10 V. Complete with blocking screw, valve adaptor, anti-rotation pin, 1,95 m integrated cable

- Torque: **5 N·m**
- Feedback: **0-10 V/4-20 mA**
- Protection class: **IP 42**
- Frequency: **50 Hz**
- Power consumption: **4 VA**



Code	V	Running time [s]	Nr. poles	Cable [m]			€
M04 010 3MA B	24	60 - 90 - 120	4	1,95	1	10	-

### Wiring diagram M04 0(2)-10 V



### 15G.DN25

Distribution and anti-condensation recirculation group for solid fuel generators - reversible - DN 25 - with tailpieces and nuts - without connections for by-pass.

Anti-condensation setting: **45-55-60-70 °C**

Temperature of by-pass hot port fully closing:  **$T_{mix}=T_{set}+10\text{ °C}=TR$**

Max working temperature: **90 °C**

Max working pressure: **10 bar**

Temperature gauge scale: **0-120 °C**

Connection centre distance: **125 mm**

Flow coefficient Kv of the mixing valve only

**BAFA**  
L I S T



Code	Size	Kv	Pump	Pump code	°C		€
15G 025 01U A	G 1 F - G 1 F	9	<b>GRUNDFOS</b> UPM3 AUTO 25-70 180	20AK.DN25	45	1	-
<b>15G 025 01H A</b>	G 1 F - G 1 F	9	<b>wilo</b> Para 25-180/7-50/SC-12	30A	45	1	-
15G 025 01C A	G 1 F - G 1 F	9	<b>GRUNDFOS</b> (Extra EU) UPSO 25-65 180	05A.DN25	45	1	-
15G 025 01X A	G 1 F - G 1 F	9	WITHOUT PUMP	-	45	1	-
<b>15G 025 01U B</b>	G 1 F - G 1 F	9	<b>GRUNDFOS</b> UPM3 AUTO 25-70 180	20AK.DN25	55	1	-
<b>15G 025 01H B</b>	G 1 F - G 1 F	9	<b>wilo</b> Para 25-180/7-50/SC-12	30A	55	1	-
15G 025 01C B	G 1 F - G 1 F	9	<b>GRUNDFOS</b> (Extra EU) UPSO 25-65 180	05A.DN25	55	1	-
15G 025 01X B	G 1 F - G 1 F	9	WITHOUT PUMP	-	55	1	-
15G 025 01U C	G 1 F - G 1 F	9	<b>GRUNDFOS</b> UPM3 AUTO 25-70 180	20AK.DN25	60	1	-
<b>15G 025 01H C</b>	G 1 F - G 1 F	9	<b>wilo</b> Para 25-180/7-50/SC-12	30A	60	1	-
15G 025 01C C	G 1 F - G 1 F	9	<b>GRUNDFOS</b> (Extra EU) UPSO 25-65 180	05A.DN25	60	1	-
15G 025 01X C	G 1 F - G 1 F	9	WITHOUT PUMP	-	60	1	-
15G 025 01U D	G 1 F - G 1 F	9	<b>GRUNDFOS</b> UPM3 AUTO 25-70 180	20AK.DN25	70	1	-
<b>15G 025 01H D</b>	G 1 F - G 1 F	9	<b>wilo</b> Para 25-180/7-50/SC-12	30A	70	1	-
15G 025 01C D	G 1 F - G 1 F	9	<b>GRUNDFOS</b> (Extra EU) UPSO 25-65 180	05A.DN25	70	1	-
15G 025 01X D	G 1 F - G 1 F	9	WITHOUT PUMP	-	70	1	-

### 20G.DN25

Distribution and anti-condensation recirculation group for solid fuel generators - reversible - DN 25 - with tailpieces and nuts, actuator equipped with constant temperature regulation - temperature adjustment range 5-95 °C - without connections for by-pass.

Temperature adjustment range: **5-95 °C**

Max working temperature: **90 °C**

Max working pressure: **10 bar**

Temperature gauge scale: **0-120 °C**

Connection centre distance: **125 mm**

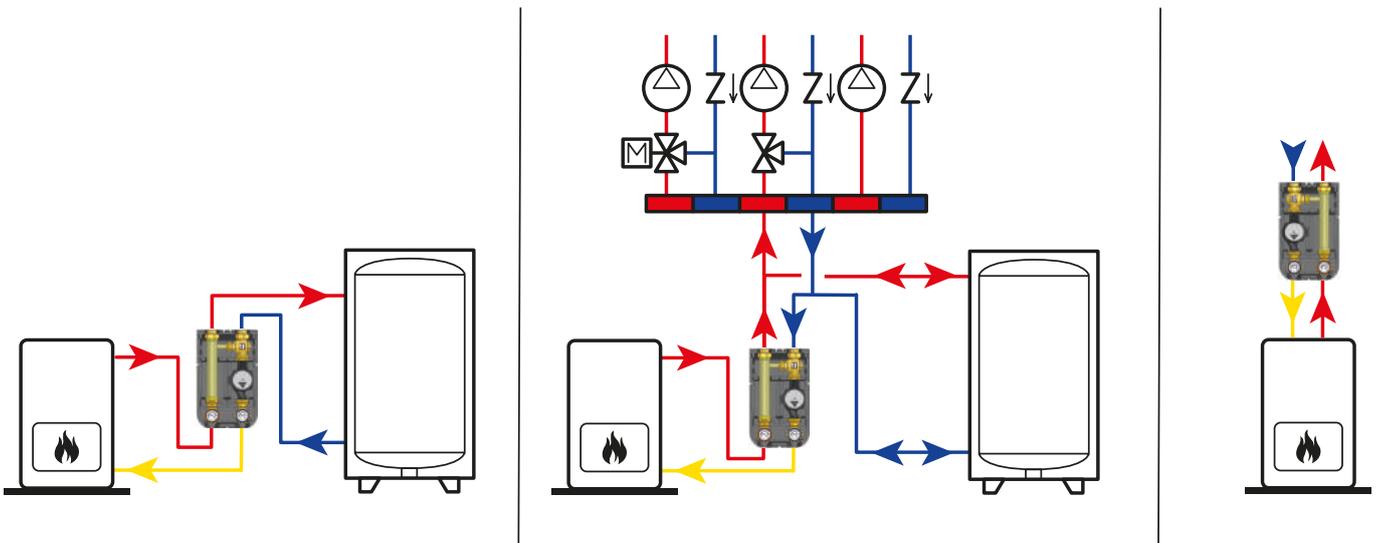
Flow coefficient Kv of the mixing valve only

**BAFA**  
L I S T

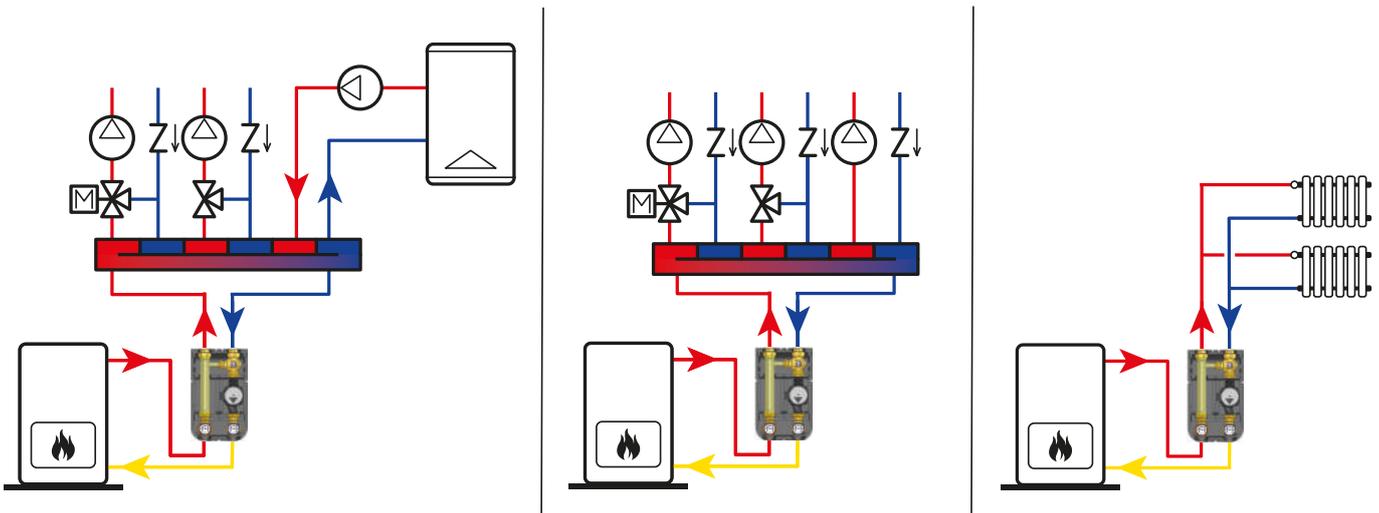


Code	Size	Kv	Pump	Pump code	°C		€
20G 025 07U	G 1 F - G 1 F	10	<b>GRUNDFOS</b> UPM3 AUTO 25-70 180	20AK.DN25	5-95	1	-
<b>20G 025 07H</b>	G 1 F - G 1 F	10	<b>wilo</b> Para 25-180/7-50/SC-12	30A	5-95	1	-
20G 025 07C	G 1 F - G 1 F	10	<b>GRUNDFOS</b> (Extra EU) UPSO 25-65 180	05A.DN25	5-95	1	-
20G 025 07X	G 1 F - G 1 F	10	WITHOUT PUMP	-	5-95	1	-

15G.DN25 or 20G.DN25: direct connection to buffer storage - buffer storage in parallel - installation upon the generator



15G.DN25 or 20G.DN25: two generator coupling - connection to system with separator/manifold - direct connection to system



### 02C.10

Kit with heat exchanger and safety group - DN 25 - Complete with 2 female fittings (tailpieces and nuts) with flat gasket 44D.DN25

Opening overpressure: **10%**  
 Reseating pressure: **-20%**  
 Outflow coefficient: **K=0,05**  
 Max working temperature: **100 °C**  
 Max working pressure: **10 bar**  
 Suitable fluids: **water, glycol solutions (max 50%)**  
 Connection centre distance: **125 mm**



Code	Size	Setting [bar]	Plates		€
02C M25 10X I	G 1 M - G 1 M	3	34	1	-
02C M25 10X L	G 1 M - G 1 M	3	28	1	-
02C M25 10X M	G 1 M - G 1 M	3	18	1	-

### 38G.14.DN25

Kit with heat exchanger and direct distribution group - reversible - DN 25 - with connections for by-pass (616) and safety group.

Opening overpressure: **10%**  
 Reseating pressure: **-20%**  
 Outflow coefficient: **K=0,05**  
 Max working temperature: **90 °C**  
 Max working pressure: **10 bar**  
 Suitable fluids: **water, glycol solutions (max 50%)**  
 Connection centre distance: **125 mm**



**BAFA**  
LIST

Code	Size	Setting [bar]	Pump	Pump code	Plates		€
38G 025 14U I	G 1 M - G 1 F	3	<b>GRUNDFOS</b> UPM3 AUTO 25-70 180	20AK.DN25	34	1	-
38G 025 14H I	G 1 M - G 1 F	3	<b>wilo</b> Para 25-180/7-50/SC-12	30A	34	1	-
38G 025 14C I	G 1 M - G 1 F	3	<b>GRUNDFOS</b> (Extra EU) UPSO 25-65 180	05A.DN25	34	1	-
38G 025 14X I	G 1 M - G 1 F	3	WITHOUT PUMP	-	34	1	-
38G 025 14U L	G 1 M - G 1 F	3	<b>GRUNDFOS</b> UPM3 AUTO 25-70 180	20AK.DN25	28	1	-
38G 025 14H L	G 1 M - G 1 F	3	<b>wilo</b> Para 25-180/7-50/SC-12	30A	28	1	-
38G 025 14C L	G 1 M - G 1 F	3	<b>GRUNDFOS</b> (Extra EU) UPSO 25-65 180	05A.DN25	28	1	-
38G 025 14X L	G 1 M - G 1 F	3	WITHOUT PUMP	-	28	1	-
38G 025 14U M	G 1 M - G 1 F	3	<b>GRUNDFOS</b> UPM3 AUTO 25-70 180	20AK.DN25	18	1	-
38G 025 14H M	G 1 M - G 1 F	3	<b>wilo</b> Para 25-180/7-50/SC-12	30A	18	1	-
38G 025 14C M	G 1 M - G 1 F	3	<b>GRUNDFOS</b> (Extra EU) UPSO 25-65 180	05A.DN25	18	1	-
38G 025 14X M	G 1 M - G 1 F	3	WITHOUT PUMP	-	18	1	-

### 02C.HE

Spare heat exchanger for 02C.10 and 38G.14.DN25 kits. Brazed stainless steel plates.

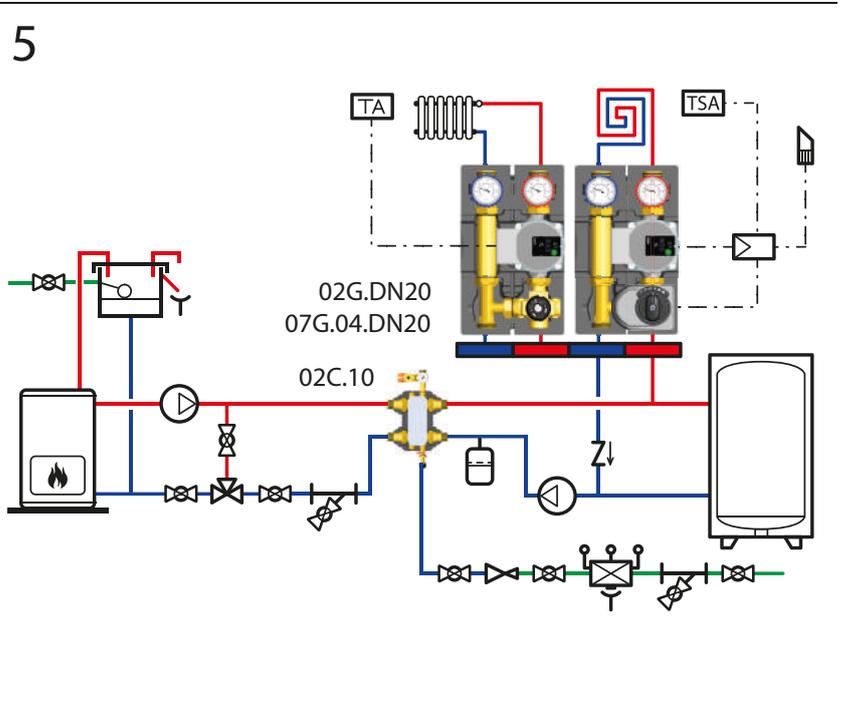
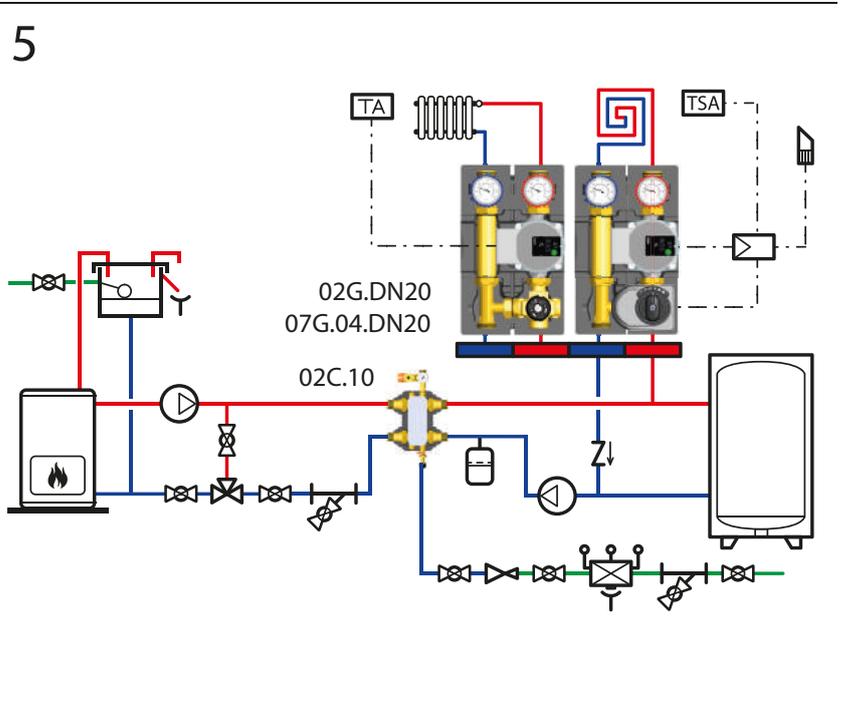
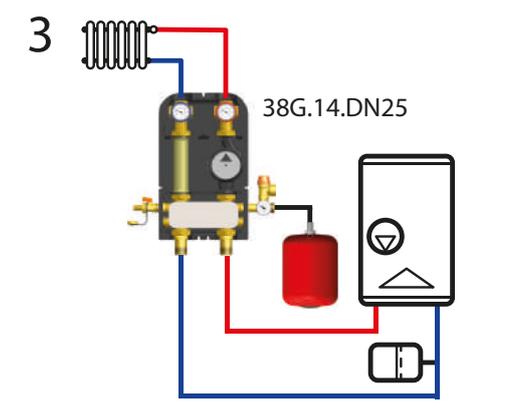
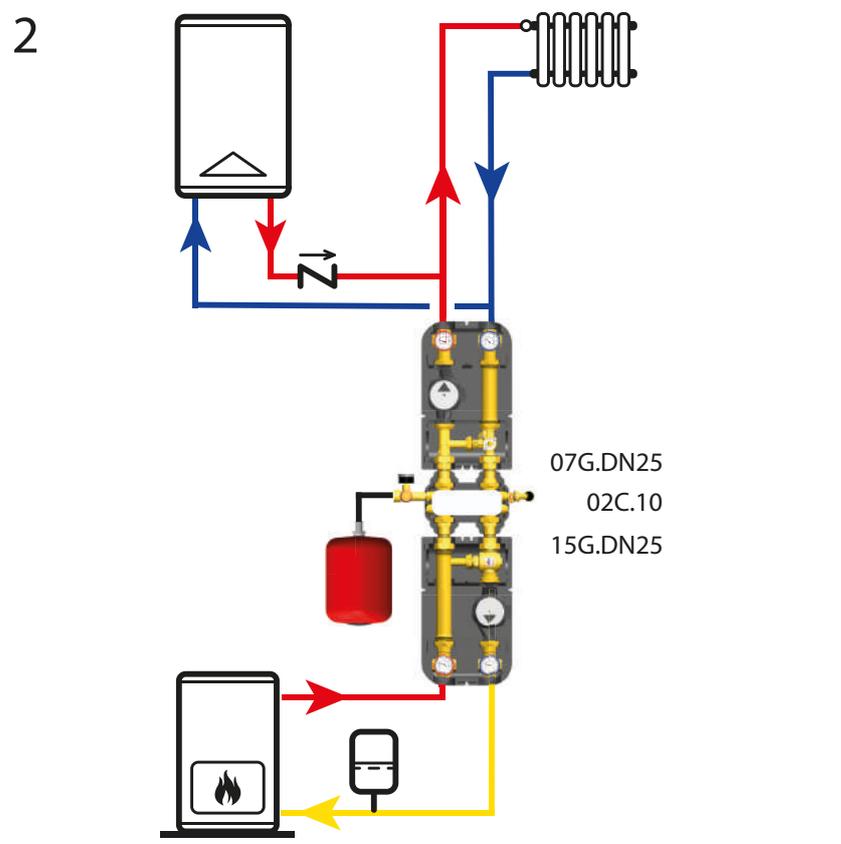
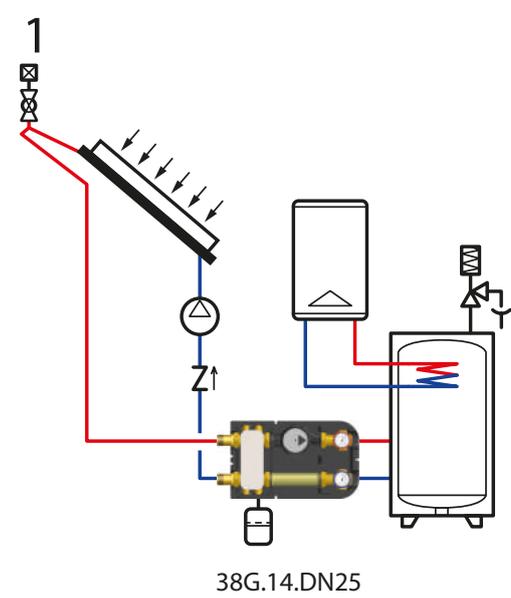
Max working temperature: **100 °C**  
 Max working pressure: **10 bar**  
 Suitable fluids: **water, glycol solutions (max 50%)**



Code	Size	Plates		€
02C M20 34A A1	G 3/4 M	34	1	-
02C M20 28A A1	G 3/4 M	28	1	-
02C M20 18A A1	G 3/4 M	18	1	-



System diagrams: 1) connection of a solar system to a multi-energy buffer storage with 38G.14.DN25 - 2) coupling of two generators with 02C.10 - 3) installation of a new generator on a pre-existing system with 38G.14.DN25 - 4) direct supply to the system with 38G.14.DN25 - 5) open vessel generator connected to a closed vessel system by means of 02C.10



## 52D

Kit composed by thermostatic mixing valve, pump connection and T-joint on the return

Flow coefficient: **Kv 3,5**

Max working temperature: **90 °C**

Max working pressure: **10 bar**

Connection centre distance: **125 mm**



Code	Size	°C			€
52D 040 0T1	G 1 1/2 M - G 1 1/2 RN	25-50	1	8	-
52D 040 0T2	G 1 1/2 M - G 1 1/2 RN	30-60	1	8	-

## 51D

Kit composed of mixing valve with by-pass, pump connection and T-joint on the return

Max working temperature: **110 °C**

Max working pressure: **10 bar**

Connection centre distance: **125 mm**



Code	Size	Kv			€
51D 040 0C0	G 1 1/2 M - G 1 1/2 RN	6	1	8	-
51D 040 0I0	G 1 1/2 M - G 1 1/2 RN	10	1	8	-

## 630.3

4-way thermostatic mixing valve with 90° inlets - pump and manifold connection - Kv 3,5 - range 30-60 °C

Flow coefficient: **Kv 3,5**

Temperature adjustment range: **30-60 °C**

Max working temperature: **90 °C**

Max working pressure: **10 bar**



Code	Size			€
630 A20 000 3	G 1 1/2 M - G 1 1/2 RN - G 1 M	1	6	-

## 630.103

4-way thermostatic mixing valve with 90° inlets - pump and manifold connection - Kv 3,5 - range 25-50 °C

Flow coefficient: **Kv 3,5**

Temperature adjustment range: **25-50 °C**

Max working temperature: **90 °C**

Max working pressure: **10 bar**



Code	Size			€
630 A20 010 3	G 1 1/2 M - G 1 1/2 RN - G 1 M	1	6	-

## 41D

3-way mixing valve with by-pass fitted to be actuated - pump connection - distribution manifold connection

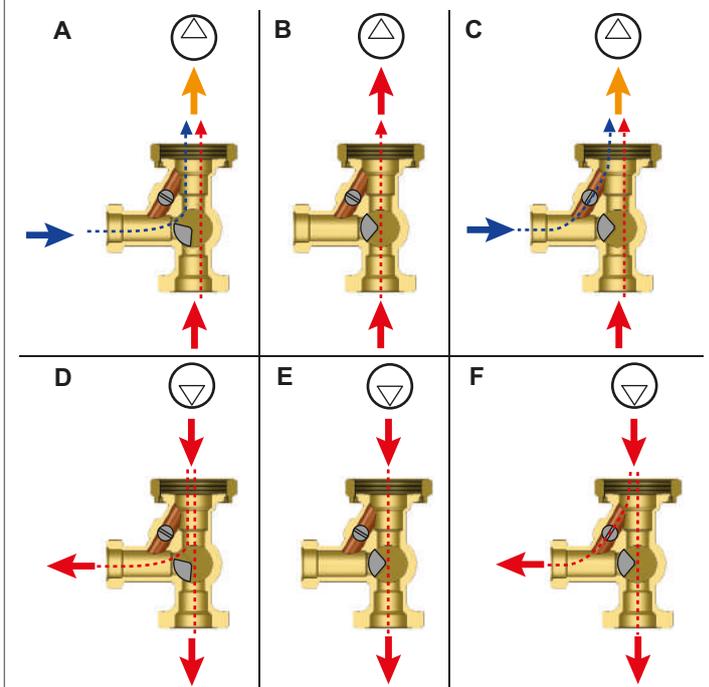
Max working temperature: **110 °C**

Max working pressure: **10 bar**



Code	Size	Kv			€
41D 040 000 C	G 1 1/2 M - G 1 M - G 1 1/2 RN	6	1	10	-
41D 040 000 I	G 1 1/2 M - G 1 M - G 1 1/2 RN	10	1	10	-

### Operating principle of 41D and 51D



A- Mix with by-pass closed

B- Mix with hot port fully open and by-pass closed

C- Mix with hot port fully open and by-pass open

D- Diverting with by-pass closed

E- Diverting with straight way fully open

F- Diverting with both straight way and by-pass open

## V14.1

woody

Anti-condensation thermostatic mixing valve for solid fuel generators - pump connection - male connection - Kv 9

Flow coefficient: **Kv 9**

Anti-condensation setting: **45-55-60-70 °C**

Temperature of by-pass hot port fully closing: **Tmix=Tset+10 °C=TR**

Max working temperature: **100 °C**

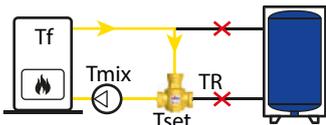
Max working pressure: **10 bar**



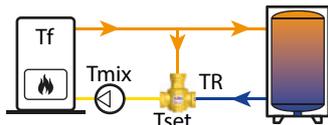
Code	Size	°C			€
V14 M32 00A 1	G 1 1/2 M - G 1 1/2 RN - G 1 M	45	1	12	-
V14 M32 00B 1	G 1 1/2 M - G 1 1/2 RN - G 1 M	55	1	12	-
V14 M32 00C 1	G 1 1/2 M - G 1 1/2 RN - G 1 M	60	1	12	-
V14 M32 00D 1	G 1 1/2 M - G 1 1/2 RN - G 1 M	70	1	12	-

### Operating principle of V13-V14 and diagrams with buffer storage and direct connection

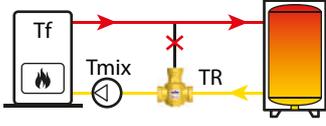
1)  $T_f \leq T_{set}$ :  $T_{mix} = T_f$



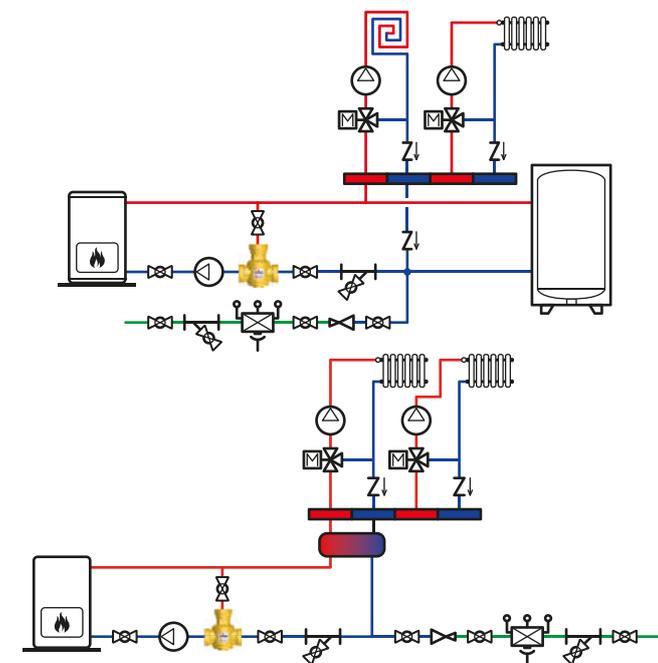
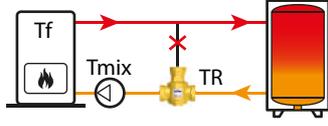
2)  $T_f > T_{set}$ ;  $T_R < T_{set}$ :  $T_{mix} = T_{set}$



3)  $T_f > T_{mix} = T_{set} + 10$  °C:  $T_{mix} = T_R$



4)  $T_f > T_{mix} > T_{set} + 10$  °C:  $T_{mix} = T_R$



## 615

Differential by-pass valve with running nuts - setting range 0,2-2,5 m w.g.. Complete with flat gaskets.

Max working temperature: **90 °C**

Max working pressure: **10 bar**

Connection distance: **65 mm**



Code	Size			€
615 015 000	G 3/4 RN	1	40	-

## 616

Differential by-pass valve with running nuts - setting range 2-6,5 m w.g.. Complete with flat gaskets.

Max working temperature: **90 °C**

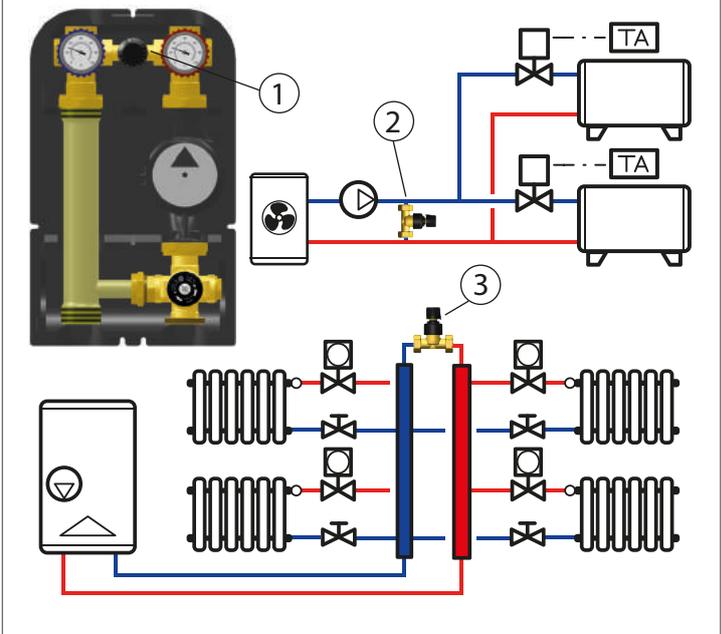
Max working pressure: **10 bar**

Connection distance: **65 mm**



Code	Size			€
616 015 000	G 3/4 RN	1	40	-

615: installation on the DN 25 group (1), between flow and return (2), at the manifold (3)



### P73.DN25

Hydraulic separator with thermal insulation - wall mounting brackets.

Max working temperature: **110 °C**  
 Max working pressure: **4 bar**  
 Material: **steel**



Code	Size	m³/h		€
P73 M40 030	G 1 1/2 M - G 1 1/2 M - Rp 1/2	3	1	-
P73 M40 045	G 1 1/2 M - G 1 1/2 M - Rp 1/2	4,5	1	-

### 22M.01

Hydraulic separator with thermal insulation, with inner mesh to help deaeration and dirt separation

Max working temperature: **100 °C**  
 Max working pressure: **10 bar**  
 Material: **steel**



Code	Size	m³/h		€
22M 040 000 01	G 1 1/2 M - G 1 1/2 M - G 1/2 F	4	1	-

### 20M.01

Pipe connection kit between hydraulic separator 22M04000001 and manifolds P72 and V34

Max working temperature: **90 °C**  
 Max working pressure: **10 bar**



Code	Size	m³/h		€
20M 040 000 01	G 1 1/2 RN - G 1 1/2 RN	3	1	-

### 21M.01 New Design

Hydraulic separator with thermal insulation, for horizontal/vertical installation. Complete with running nuts for connection to the manifold

Max working temperature: **100 °C**  
 Max working pressure: **6 bar**  
 Material: **steel**

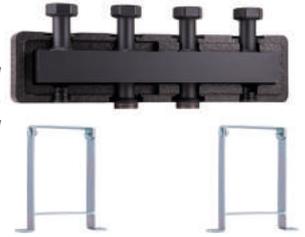


Code	Size	m³/h		€
21M 040 000 01	G 1 1/2 M - G 1 1/2 RN - G 1/2 F	3	1	-

### P72.DN25 New Design

Dual distribution manifold with thermal insulation - wall mounting brackets - complete with running nuts for distribution and regulating group connection

Max working temperature: **110 °C**  
 Max working pressure: **4 bar**  
 Connection centre distance: **125 mm**  
 Material: **steel**



Code	Size	m³/h	Nr. of zones		€
P72 040 002	G 1 1/2 M - G 1 1/2 RN	3	2	1	-
P72 040 003	G 1 1/2 M - G 1 1/2 RN	3	3	1	-
P72 040 004	G 1 1/2 M - G 1 1/2 RN	3	4	1	-
P72 040 005	G 1 1/2 M - G 1 1/2 RN	3	5	1	-
P72 040 006	G 1 1/2 M - G 1 1/2 RN	3	6	1	-

### V34.DN25

"UP/DOWN" dual distribution manifold with thermal insulation - wall mounting brackets - complete with running nuts and fittings for lower distribution and regulating group connection

Max working temperature: **110 °C**  
 Max working pressure: **4 bar**  
 Connection centre distance: **125 mm**  
 Material: **steel**

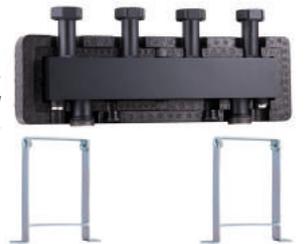


Code	Size	m³/h	Nr. of zones		€
V34 040 003	G 1 1/2 M - G 1 1/2 RN	3	3	1	-
V34 040 005	G 1 1/2 M - G 1 1/2 RN	3	5	1	-
V34 040 007	G 1 1/2 M - G 1 1/2 RN	3	7	1	-

### P74 New Design

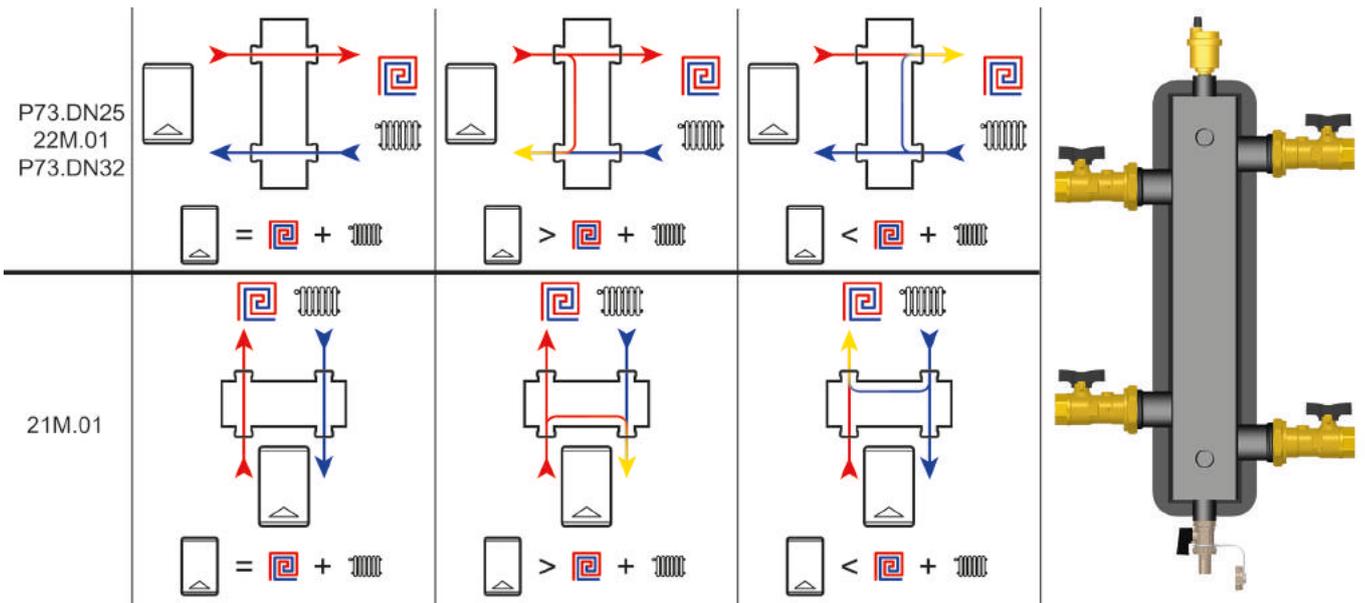
Distribution manifold with integrated hydraulic separator and thermal insulation - wall mounting brackets - complete with running nuts for distribution and regulating group connection

Max working temperature: **110 °C**  
 Max working pressure: **4 bar**  
 Connection centre distance: **125 mm**  
 Material: **steel**

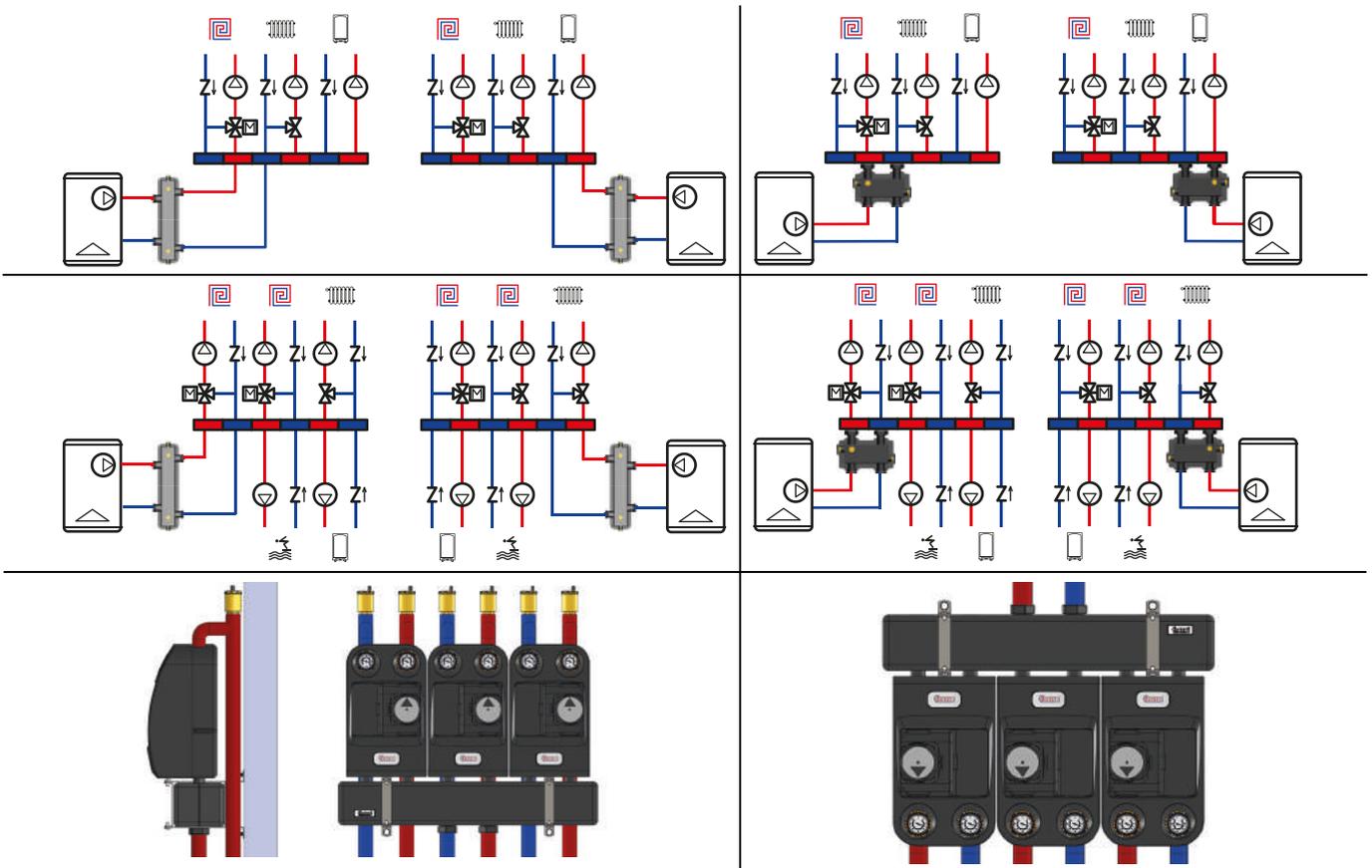


Code	Size	m³/h	Nr. of zones		€
P74 040 002	G 1 1/2 M - G 1 1/2 RN	3	2	1	-
P74 040 003	G 1 1/2 M - G 1 1/2 RN	3	3	1	-

Hydraulic separator operating principle according to primary and secondary flow rate - accessories of separators



Versatility of V34.DN25 manifolds and hydraulic separators/Alignment of the pipes/Upside-down installation



The collar brackets allow to align the pipes behind the groups and a easy installation of the groups in upside-down position.

## 52D025.01

2 ball shut-off valve kit with pump connection  
G 1 1/2 RN

Max working temperature: **95 °C**  
Max working pressure: **10 bar**



Code	Size	Knob colour			€
52D 025 000 01	G 1 F - G 1 1/2 RN	red	1	8	-

## 52D025.02

2 ball shut-off valve kit with pump connection  
G 1 1/2 RN and check valve insert integrated  
on the ball valve on the return

Max working temperature: **95 °C**  
Max working pressure: **10 bar**



Code	Size			€
52D 025 000 02	G 1 F - G 1 1/2 RN	1	6	-

## 52D025.03

2 ball shut-off valve kit with pump connection  
G 1 1/2 RN and differential by-pass valve with  
running nuts - setting range 0,2–2,5 m w.g.

Max working temperature: **95 °C**  
Max working pressure: **10 bar**



Code	Size			€
52D 025 000 03	G 1 F - G 1 1/2 RN	1	8	-

## 38D.DN25

Monobloc with pump connection (ball shut-off  
valve + temperature gauge + 2 side  
connections) - temperature gauge 0–120 °C  
- DN 25

Max working temperature: **95 °C**  
Max working pressure: **10 bar**



Code	Size	Knob colour			€
38D 025 000	G 1 1/2 RN - G 1 F	red	-	16	-

## 38D.1T

Ball shut-off valve with pump connection with  
possibility of temperature gauge integration -  
DN 25 - female connection

Max working temperature: **95 °C**  
Max working pressure: **10 bar**



Code	Size	Knob colour			€
38D 025 000 1T	G 1 1/2 RN - G 1 F	red	-	16	-

## 38D.1

Monobloc with pump connection (ball shut-off  
valve + temperature gauge) - temperature  
gauge 0–120 °C - DN 25

Max working temperature: **95 °C**  
Max working pressure: **10 bar**



Code	Size	Knob colour			€
38D 025 000 1	G 1 1/2 RN - G 1 F	red	-	16	-

### 38D.2

Monobloc with pump connection (ball shut-off valve + temperature gauge + probe connection) - temperature gauge 0-120 °C - DN 25

Max working temperature: **95 °C**  
Max working pressure: **10 bar**



Code	Size	Knob colour			€
38D 025 000 2	G 1 1/2 RN - G 1 F	red	-	16	-

### 37D.1T

Monobloc with pump connection (ball shut-off valve + check valve + check valve override) - with possibility of temperature gauge integration - DN 25

Max working temperature: **95 °C**  
Max working pressure: **10 bar**



Code	Size	Knob colour			€
37D 025 000 1T	G 1 F - G 1 1/2 RN	blue	-	16	-

### 39D

Ball shut-off valve with pump connection - male connection

Max working temperature: **95 °C**  
Max working pressure: **10 bar**



Code	Size	Knob colour			€
39D 020 000 R	G 1 1/2 RN - G 1 1/2 M	red	-	25	-

### 37D.1

Monobloc with pump connection (ball shut-off valve + temperature gauge + check valve + check valve override) - temperature gauge 0-120 °C - DN 25

Max working temperature: **95 °C**  
Max working pressure: **10 bar**



Code	Size	Knob colour			€
37D 025 000 1	G 1 F - G 1 1/2 RN	blue	-	16	-

### 37D.DN25

Monobloc with pump connection (ball shut-off valve + temperature gauge + 2 side connections + check valve + check valve override) - temperature gauge 0-120 °C - DN 25

Max working temperature: **95 °C**  
Max working pressure: **10 bar**



Code	Size	Knob colour			€
37D 025 000	G 1 F - G 1 1/2 RN	blue	-	16	-

### 440.1

Knob and screw kit for mixing valve manual setting



Code	€
440 015 011 I	-

## 40D

Extension with flat seat, connection distance 272 mm

Max working temperature: **140 °C**

Max working pressure: **10 bar**



Code	Size			€
40D 040 000	G 1 1/2 M - 272 mm	-	16	-

## 40D.L

L-extension with flat seat, connection distance 272 mm

Max working temperature: **140 °C**

Max working pressure: **10 bar**



Code	Size			€
40D 040 000 L	G 1 1/2 M - G 1 RN - 272 mm	-	16	-

## 40D.2

Extension with flat seat, connection distance 180 mm

Max working temperature: **140 °C**

Max working pressure: **10 bar**



Code	Size			€
40D 040 000 2	G 1 1/2 M - 180 mm	-	16	-

## 40D.C

Extension with flat seat for 110 and 130 mm energy metering devices, connection distance 180 mm

Max working temperature: **140 °C**

Max working pressure: **10 bar**



Code	Size			€
40D 020 000	G 1 1/2 M - 180 mm	-	-	-

## 036.TI

Plug G 1 1/2 F with gasket.

Max working temperature: **90 °C**

Max working pressure: **10 bar**



Code	Size			€
036 040 007 TI	G 1 1/2 F	2	-	-

## 44D.DN25

2 female fittings (tailpieces and nuts) with flat gasket - DN 25

Max working temperature: **90 °C**

Max working pressure: **10 bar**



Code	Size			€
44D 025 000	G 1 F - G 1 1/2 RN	2	50	-

## V38.P

2 fittings FM with flat gaskets to adapt 130 mm centre distance pumps to 180 mm centre distance

Max working temperature: **100 °C**

Max working pressure: **10 bar**



Code	Size			€
V38 040 000 10	G 1 F - G 1 1/2 M	2	-	-
V38 040 000 11	G 1 1/2 F - G 1 1/2 M	2	-	-

## V35

Fitting kit with G 1 1/2 RN x G 1 1/2 RN running nuts, plug and flat gasket.

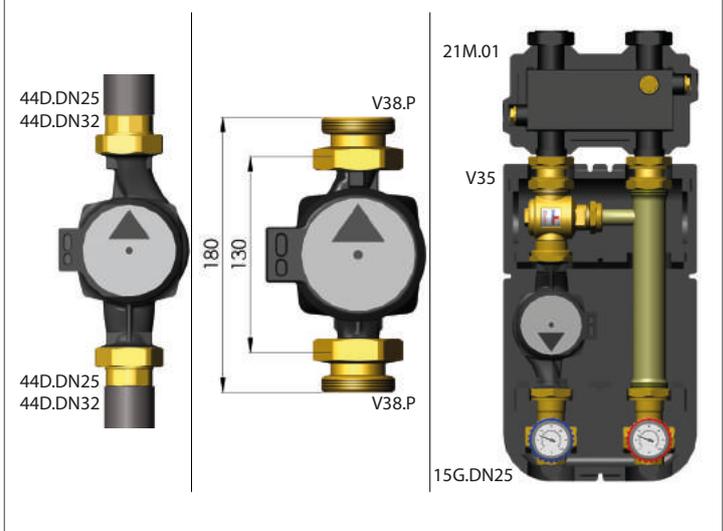
Max working temperature: **90 °C**

Max working pressure: **10 bar**



Code	Size			€
V35 040 000 I	G 1 1/2 RN x G 1 1/2 RN	2	-	-

### Use of fittings 44D.DN25 or 44D.DN32, V38P, V35





## V38.05

Kit with Y fitting and immersion probe pocket

Max working temperature: **95 °C**

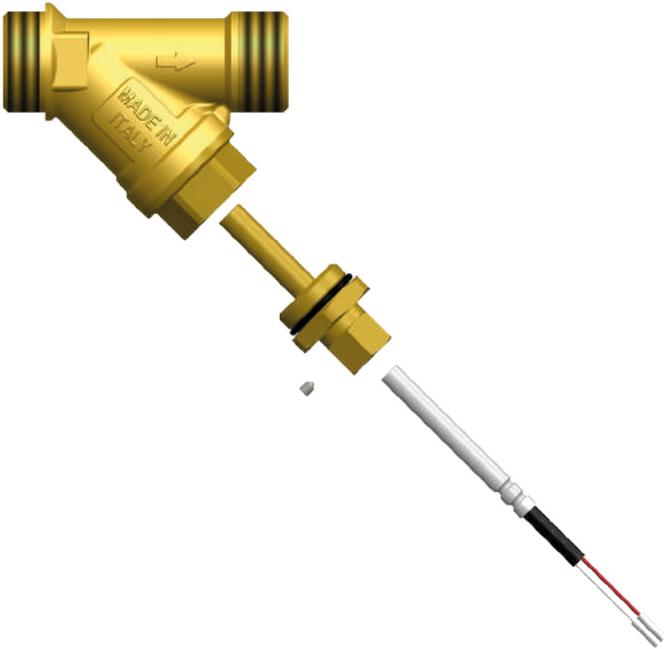
Max working pressure: **16 bar**

Probe diameter: **6 mm**

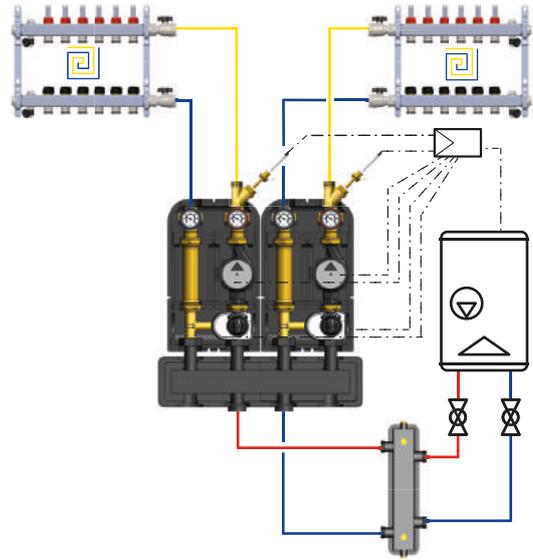


Code	Size			€
V38 020 000 05	G 3/4 M	2	-	-
V38 025 000 05	G 1 M	2	-	-

### Fitting V38.05 with pocket specific for immersion probe



### V38.05: installation on the DN 25 group



## P28.I4

Immersion probe pocket - seal on fitting

Max working temperature: **95 °C**

Max working pressure: **16 bar**

Probe diameter: **6 mm**



Code	Size			€
P28 015 000 I4	G 1/2 M	10	50	-



NUMBER OF PIECES IN BOX



NUMBER OF PIECES IN CARTON



ARTICLE THE BEST SELLER



NEW ARTICLE



## 53D.S.DN25

**New**

Pair of brackets for wall mounting of the distribution manifold P72.DN25, V34.DN25 and manifold-separator P74.

Hole centre distance: **S1 180 mm, S2 215 mm**  
Hole diameter: **10,5 mm**



Code	Size			€
53D 025 00S 1 <b>NEW</b>	for P72.DN25 and V34.DN25	1	-	-
53D 025 00S 2 <b>NEW</b>	for P74	1	-	-

## 42D.DN25

Bracket for wall mounting of the distribution and regulating groups, with screws and anchors

Hole centre distance: **90 mm**  
Hole diameter: **8 mm**



Code			€
42D 025 Z00 I	1	25	-

## 43D.DN25

Distribution and regulating group insulation

Material: **EPP**



Code	Size		€
43D 025 000	247-410-212 mm	1	-

## 11D.120

Axial temperature gauge

Scale: **0-120 °C**  
Diameter: **51 mm**  
Stem diameter: **5 mm**  
Stem total length: **50,5 mm**



Code	Size			€
11D 015 000 120	Ø 51 mm	1	10	-

## 30A

Spare pump Wilo Para with high efficiency (EEI<0,20). With 1 m cable

Max head: **7,7 m w.g.**  
Max working temperature: **100 °C**  
Max working pressure: **10 bar**  
Centre distance: **180 mm**

**BAFA**  
LIST



Code	Size	Pump	Cable [m]	€
30A 040 070 BK	G 1 1/2 M	Para 25-180/7-50/SC-12	1	-

## 20AK.DN25

Spare pump Grundfos UPM3 AUTO 25-70 180 with high efficiency (EEI<0,20). Complete with 3 pole cable.

Max head: **7 m w.g.**  
Max working temperature: **100 °C**  
Max working pressure: **10 bar**  
Centre distance: **180 mm**

**BAFA**  
LIST



Code	Size	Nr. poles	Cable [m]	€
20A 040 070 BK	G 1 1/2 M	3	1	-

## 28AK.DN25

Spare pump Grundfos UPML AUTO 25-105 180 with high efficiency (EEI<0,23). With 1 m cable and rapid connector

Max working temperature: **100 °C**  
Max working pressure: **10 bar**  
Centre distance: **180 mm**



Code	Size	Max head [m w.g.]	€
28A 040 105 BK	G 1 1/2 M	10,5	-

## 14D.2

3 pole cable with 90° rapid connector for UPM3 AUTO, UPM3 AUTO L and UPM3 solar pumps



Code	Nr. poles	Cable [m]	€
14D 100 002	3	1	-

## 14D.5

3 pole cable with 90° rapid connector for Wilo Para



Code	Nr. poles	Cable [m]	€
14D 100 005	3	1	-

## 05A.DN25

Spare pump Grundfos UPSO 25-65 180 with 3 constant speeds (Extra EU)

Max head: **6,5 m w.g.**

Max working temperature: **100 °C**

Max working pressure: **10 bar**

Centre distance: **180 mm**



Code	Size	€
05A 040 065 B	G 1 1/2 M	-



NUMBER OF PIECES IN BOX



NUMBER OF PIECES IN CARTON



ARTICLE THE BEST SELLER



NEW ARTICLE



### 01G.DN32

Direct distribution group - reversible - DN 32 - without connections for by-pass

Max working temperature: **90 °C**

Max working pressure: **10 bar**

Connection centre distance: **125 mm**

**BAFA**  
LIST

Code	Size	Pump	Pump code		€
01G 032 00Y	G 2 M - G 1 1/4 F	<b>GRUNDFOS</b> UPM3 AUTO 32-70 180	24AK.DN32	1	-
01G 032 00F	G 2 M - G 1 1/4 F	<b>GRUNDFOS</b> UPML AUTO 32-105 180	17AK.DN32	1	-
01G 032 00T	G 2 M - G 1 1/4 F	<b>GRUNDFOS</b> (Extra EU) UPSO 32-65 180	05A.DN32	1	-
01G 032 00X	G 2 M - G 1 1/4 F	 WITHOUT PUMP	-	1	-



### 07G.06.DN32

Regulating group with mixing valve fitted to be actuated - reversible - DN 32 - actuator with constant temperature regulator - temperature adjustment range 5-95 °C - without connections for by-pass

Temperature adjustment range: **5-95 °C**

Max working temperature: **90 °C**

Max working pressure: **10 bar**

Connection centre distance: **125 mm**

Flow coefficient Kv of the mixing valve only

**BAFA**  
LIST

Code	Size	Kv	Pump	Pump code		€
07G 032 06Y	G 2 M - G 1 1/4 F	18	<b>GRUNDFOS</b> UPM3 AUTO 32-70 180	24AK.DN32	1	-
07G 032 06F	G 2 M - G 1 1/4 F	18	<b>GRUNDFOS</b> UPML AUTO 32-105 180	17AK.DN32	1	-
07G 032 06T	G 2 M - G 1 1/4 F	18	<b>GRUNDFOS</b> (Extra EU) UPSO 32-65 180	05A.DN32	1	-
07G 032 06X	G 2 M - G 1 1/4 F	18	 WITHOUT PUMP	-	1	-



### 07G.DN32

Regulating group with mixing valve fitted to be actuated - reversible - DN 32 - without connections for by-pass

Max working temperature: **90 °C**

Max working pressure: **10 bar**

Connection centre distance: **125 mm**

Flow coefficient Kv of the mixing valve only

**BAFA**  
LIST

Code	Size	Kv	Pump	Pump code		€
07G 032 00Y	G 2 M - G 1 1/4 F	18	<b>GRUNDFOS</b> UPM3 AUTO 32-70 180	24AK.DN32	1	-
07G 032 00F	G 2 M - G 1 1/4 F	18	<b>GRUNDFOS</b> UPML AUTO 32-105 180	17AK.DN32	1	-
07G 032 00T	G 2 M - G 1 1/4 F	18	<b>GRUNDFOS</b> (Extra EU) UPSO 32-65 180	05A.DN32	1	-
07G 032 00X	G 2 M - G 1 1/4 F	18	 WITHOUT PUMP	-	1	-



## 19G.DN32

Distribution and anti-condensation recirculation group for solid fuel generators - reversible - DN 32 - with tailpieces and nuts, actuator equipped with constant temperature regulation - temperature adjustment range 5–95 °C - without connections for by-pass.

Temperature adjustment range: **5–95 °C**

Max working temperature: **90 °C**

Max working pressure: **10 bar**

Temperature gauge scale: **0–120 °C**

Connection centre distance: **125 mm**

Flow coefficient Kv of the mixing valve only

**BAFA**

L I S T



Code	Size	Kv	Pump	Pump code		€
19G 032 07Y	G 2 M - G 1 1/4 F	18	<b>GRUNDFOS</b> UPM3 AUTO 32-70 180	24AK.DN32	1	-
19G 032 07T	G 2 M - G 1 1/4 F	18	<b>GRUNDFOS</b> (Extra EU) UPSO 32-65 180	05A.DN32	1	-
19G 032 07X	G 2 M - G 1 1/4 F	18	<del>WITHOUT PUMP</del>	-	1	-



NUMBER OF PIECES IN BOX



NUMBER OF PIECES IN CARTON



ARTICLE THE BEST SELLER



NEW ARTICLE



### M03.3

*New Design*

Actuator for mixing valves, rotation angle 90°, 3 point regulation. Complete with blocking screw, valve adaptor, anti-rotation pin, 1,5 m integrated cable, auxiliary microswitch (only in 6 pole version)

Torque: **10 N·m**

Protection class: **IP 44**

Frequency: **50 Hz**

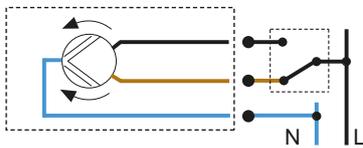
Power consumption: **4 VA**

Aux. microswitch contact rating: **6 (1) A**



Code	V	Running time [s]	Nr. poles	Cable [m]			€
M03 010 1DA B	230	120	3	1,5	1	16	-

#### Wiring diagram M03.3, 3 poles



### M03.K

*New Design*

Spare part kit for M03.4, M03.3 and M03.2 actuators. Complete with knob, indicator, blocking screw, mixing valve adaptor, anti-rotation pin.



Code			€
M03 000 000 K	1	-	-

### P27T2

Actuator for mixing valves, rotation angle 90°, for 3 point regulation with integrated probe and temperature regulator. Temperature adjustment range 5–95 °C. Complete with blocking screw, mixing valve adaptor, anti-rotation pin, Pt 1000 probe (1,6 m cable), contact probe holder, integrated Shuko electrical plug (1,9 m cable).

Temperature adjustment range: **5–95 °C**

Torque: **6 N·m**

Protection class: **IP 42**

Frequency: **50 Hz**

Power consumption: **1,5 VA**



Code	V	Running time [s]	Nr. poles	Cable [m]			€
P27 230 010 T2	230	120	2	1,9	1	10	-

### M04.K

Spare part kit for P27T2 and M04. actuators. Complete with blocking screw, mixing valve adaptor, anti-rotation pin.



Code			€
M04 000 000 K	1	-	-

### 14D.10

Spare probe Pt 1000 for P27T2 actuator.

Working temperature range: **-25–150 °C**



Code	Size	Cable [m]			€
14D 100 010	4 mm	1	1	-	-

## M04

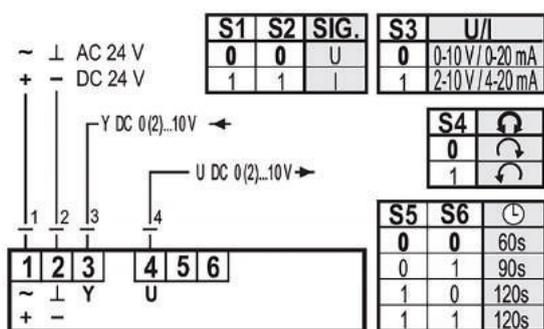
Actuator for mixing valves, rotation angle 90°, proportional regulation 0 (2)-10 V. Complete with blocking screw, valve adaptor, anti-rotation pin, 1,95 m integrated cable

Torque: **5 N·m**  
 Feedback: **0-10 V/4-20 mA**  
 Protection class: **IP 42**  
 Frequency: **50 Hz**  
 Power consumption: **4 VA**



Code	V	Running time [s]	Nr. poles	Cable [m]			€
M04 010 3MA B	24	60 - 90 - 120	4	1,95	1	10	-

### Wiring diagram M04 0(2)-10 V



## 51D

Kit composed of mixing valve with by-pass, pump connection and T-joint on the return

Max working temperature: **110 °C**  
 Max working pressure: **10 bar**  
 Connection centre distance: **125 mm**



Code	Size	Kv			€
51D 050 0G0	G 2 M - G 2 RN	18	1	8	-

## 41D

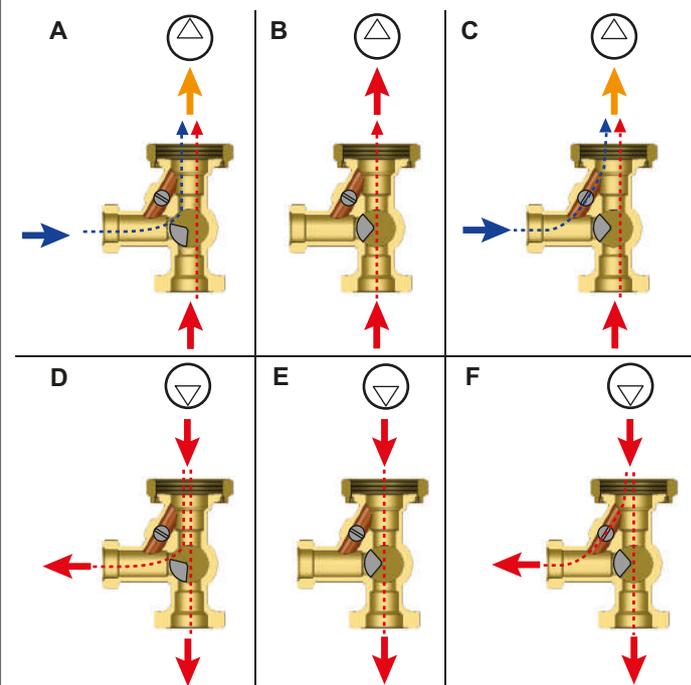
3-way mixing valve with by-pass fitted to be actuated - pump connection - distribution manifold connection

Max working temperature: **110 °C**  
 Max working pressure: **10 bar**



Code	Size	Kv			€
41D 050 000 G	G 2 M - G 1 1/4 M - G 2 RN	18	1	10	-

### Operating principle of 41D and 51D



- A- Mix with by-pass closed
- B- Mix with hot port fully open and by-pass closed
- C- Mix with hot port fully open and by-pass open
- D- Diverting with by-pass closed
- E- Diverting with straight way fully open
- F- Diverting with both straight way and by-pass open

### P73.DN32

Hydraulic separator with thermal insulation - wall mounting brackets.

Max working temperature: **110 °C**

Max working pressure: **4 bar**

Material: **steel**

Code	Size	m³/h		€
P73 M50 080	G 2 M - G 2 M - Rp 1/2	8	1	-



### P72.DN32

Dual distribution manifold with thermal insulation - wall mounting brackets - complete with running nuts for distribution and regulating group connection

Max working temperature: **110 °C**

Max working pressure: **4 bar**

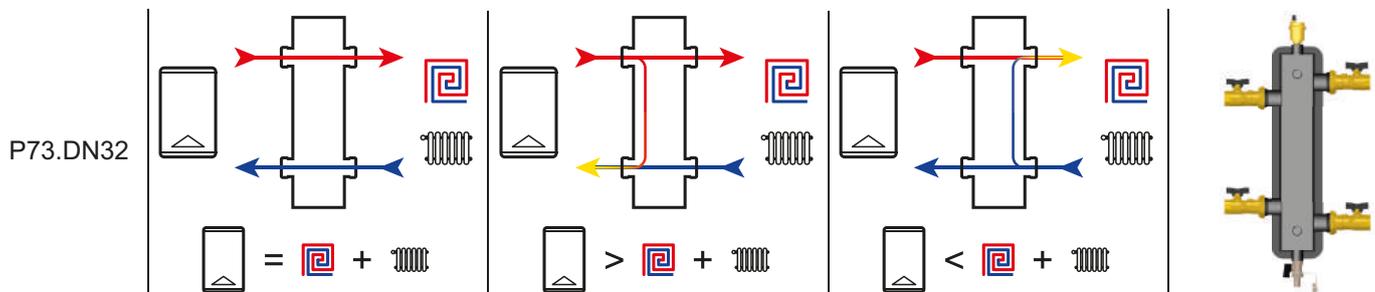
Connection centre distance: **125 mm**

Material: **steel**

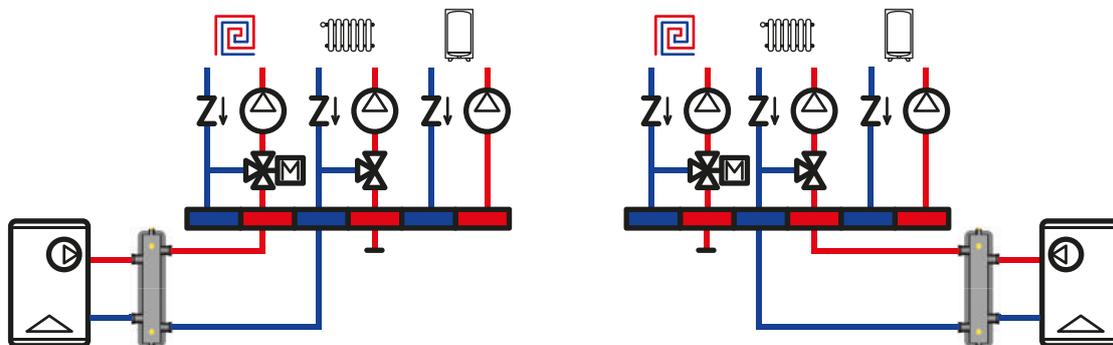
Code	Size	m³/h	Nr. of zones		€
P72 050 002	G 2 M - G 2 RN	6,5	2	1	-
P72 050 003	G 2 M - G 2 RN	6,5	3	1	-
P72 050 004	G 2 M - G 2 RN	6,5	4	1	-
P72 050 005	G 2 M - G 2 RN	6,5	5	1	-
P72 050 006	G 2 M - G 2 RN	6,5	6	1	-



#### Hydraulic separator operating principle according to primary and secondary flow rate - accessories of separators



#### Versatility of P72.DN32 manifolds





## 52D032.01

2 ball shut-off valve kit with pump connection  
G 2 RN

Max working temperature: **95 °C**  
Max working pressure: **10 bar**



Code	Size	Knob colour			€
52D 032 000 01	G 1 1/4 F - G 2 RN	red	1	8	-

## 52D032.02

2 ball shut-off valve kit with pump connection  
G 2 RN and check valve insert integrated on  
the ball valve on the return

Max working temperature: **95 °C**  
Max working pressure: **10 bar**



Code	Size			€
52D 032 000 02	G 1 1/4 F - G 2 RN	1	6	-

## 38D.DN32

Monobloc with pump connection (ball shut-off  
valve + temperature gauge) - temperature  
gauge 0-120 °C - DN 32

Max working temperature: **95 °C**  
Max working pressure: **10 bar**



Code	Size	Knob colour			€
38D 032 000	G 2 RN - G 1 1/4 F	red	-	16	-

## 50D.M50

Ball shut-off valve with pump connection with  
possibility of temperature gauge integration -  
male connection

Max working temperature: **95 °C**  
Max working pressure: **10 bar**



Code	Size	Knob colour			€
50D M50 000 R	G 2 RN - G 2 M	red	-	25	-

## 37D.DN32

Monobloc with pump connection (ball shut-off  
valve + temperature gauge + check valve) -  
temperature gauge 0-120 °C - DN 32

Max working temperature: **95 °C**  
Max working pressure: **10 bar**



Code	Size	Knob colour			€
37D 032 000	G 1 1/4 F - G 2 RN	blue	-	16	-

## 44D.DN32

2 female fittings (tailpieces and nuts) with flat  
gasket - DN 32

Max working temperature: **90 °C**  
Max working pressure: **10 bar**



Code	Size			€
44D 032 000	G 1 1/4 F - G 2 RN	2	-	-

## V36.I2

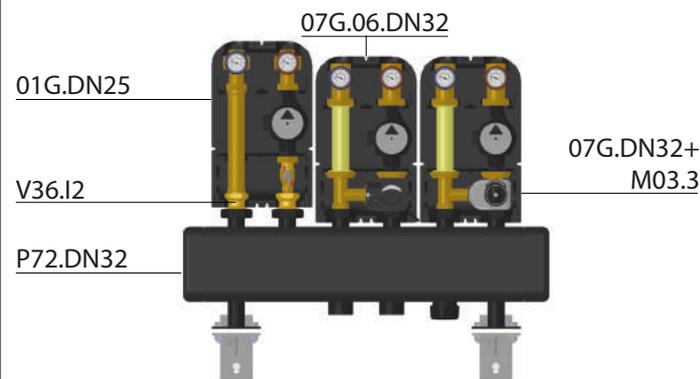
2 adapter fittings between DN 25 groups and  
DN 32 manifolds - flat gasket

Max working temperature: **110 °C**  
Max working pressure: **10 bar**



Code	Size			€
V36 050 000 I2	G 2 M - G 1 1/2 F	2	-	-

Connection of a DN 25 group to the P72.DN32 manifold by means of the  
V36.I2 fittings



## 440.I

Knob and screw kit for mixing valve manual setting



Code	€
440 015 011 I	-

## 40D.DN32

Extension with flat seat, connection distance 280 mm

Max working temperature: **140 °C**  
Max working pressure: **10 bar**



Code	Size			€
40D 050 000	G 2 M - 280 mm	-	-	-

## 40D.2.DN32

Extension with flat seat, connection distance 180 mm

Max working temperature: **140 °C**  
Max working pressure: **10 bar**



Code	Size			€
40D 050 002	G 2 M - 180 mm	-	-	-

## 42D.DN32

Bracket for wall mounting of the distribution and regulating groups, with screws and anchors

Hole centre distance: **90 mm**  
Hole diameter: **8 mm**



Code			€
42D 032 Z00 I	1	25	-

## 11D.120

Axial temperature gauge

Scale: **0-120 °C**  
Diameter: **51 mm**  
Stem diameter: **5 mm**  
Stem total length: **50,5 mm**



Code	Size			€
11D 015 000 120	Ø 51 mm	1	10	-

## V38.05

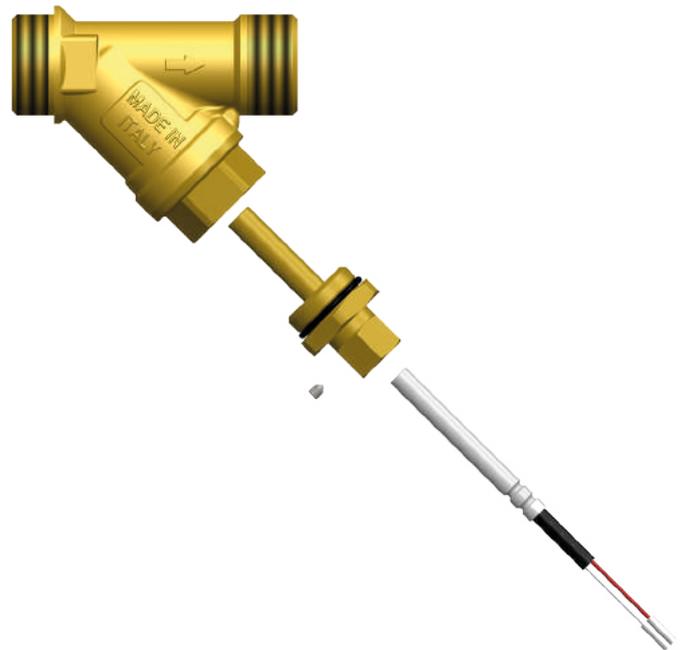
Kit with Y fitting and immersion probe pocket

Max working temperature: **95 °C**  
Max working pressure: **16 bar**  
Probe diameter: **6 mm**



Code	Size			€
V38 020 000 05	G 3/4 M	2	-	-
V38 025 000 05	G 1 M	2	-	-

Fitting V38.05 with pocket specific for immersion probe



## P28.I4

Immersion probe pocket - seal on fitting

Max working temperature: **95 °C**  
Max working pressure: **16 bar**  
Probe diameter: **6 mm**



Code	Size			€
P28 015 000 I4	G 1/2 M	10	50	-

## 43D.DN32

Distribution and regulating group insulation

Material: **EPP**



Code	Size		€
43D 032 000	247-410-212 mm	1	-

## 24AK.DN32

Spare pump Grundfos UPM3 AUTO 32-70 180 with high efficiency (EEL<0,20). Complete with 3 pole cable.

Max head: **7 m w.g.**

Max working temperature: **100 °C**

Max working pressure: **10 bar**

Centre distance: **180 mm**

**BAFA**  
LIST



Code	Size	Nr. poles	Cable [m]	€
24A 050 070 BK	G 2 M	3	1	-

## 05A.DN32

Spare pump Grundfos UPSO 32-65 180 with 3 constant speeds (Extra EU)

Max head: **6,5 m w.g.**

Max working temperature: **100 °C**

Max working pressure: **10 bar**

Centre distance: **180 mm**



Code	Size	€
05A 050 065 B	G 2 M	-

## 17AK.DN32

Spare pump Grundfos UPML AUTO 32-105 180 with high efficiency (EEL<0,23). With 1 m cable and rapid connector

Max working temperature: **100 °C**

Max working pressure: **10 bar**

Centre distance: **180 mm**



Code	Size	Max head [m w.g.]	€
17A 050 105 BK	G 2 M	10,5	-



NUMBER OF PIECES IN BOX



NUMBER OF PIECES IN CARTON



ARTICLE THE BEST SELLER



NEW ARTICLE



### 27B.N

LIMITED STOCK

Recessed regulating group with thermostatic mixing valve 20–43 °C. The group is supplied with temperature gauge and integrated air vent. Complete with fittings for manifold connection. Version without pump on request.

Temperature adjustment range: **20–43 °C**

Max working temperature: **90 °C**

Max working pressure: **10 bar**

Connection centre distance to secondary manifold: **211 mm**

Flow coefficient Kv of the mixing valve only

Code	Size	Kv	Pump	Pump code		€
27B 040 NOP 1	G 1 M	2,5	<b>wilo</b> Para 25-130/7-50/SC-12	29A.040	1	-
27B 040 NOT 1	G 1 M	2,5	<b>GRUNDFOS</b> UPM3 AUTO 25-70 130	31AK	1	-
27B 040 NOM 1	G 1 M	2,5	<b>GRUNDFOS</b> (Extra EU) UPSO 25-65 130	01A.40	1	-



**BAFA**  
L I S T

### 27B.N

New Design AVAILABLE 6/2021

Recessed regulating group with thermostatic mixing valve 20–55 °C. The group is supplied with temperature gauge and integrated air vent. Complete with fittings for manifold connection. Version without pump on request.

Temperature adjustment range: **20–55 °C**

Max working temperature: **90 °C**

Max working pressure: **10 bar**

Connection centre distance to secondary manifold: **200–211 mm**

Flow coefficient Kv of the mixing valve only

Code	Size	Kv	Pump	Pump code		€
27B 040 N4P 3	G 1 M	3,5	<b>wilo</b> Para 25-130/7-50/SC-12	29A.040	1	-
27B 040 N4T 3	G 1 M	3,5	<b>GRUNDFOS</b> UPM3 AUTO 25-70 130	31AK	1	-
27B 040 N4M 3	G 1 M	3,5	<b>GRUNDFOS</b> (Extra EU) UPSO 25-65 130	01A.40	1	-



**BAFA**  
L I S T

### 99B

**New**

Safety thermostat kit for distribution and regulating recessed groups 27B.N-29B.N-30B.N. Normally closed with 55 °C setting, pre-wired box.

Code			€
99B 004 005 2	1	-	-



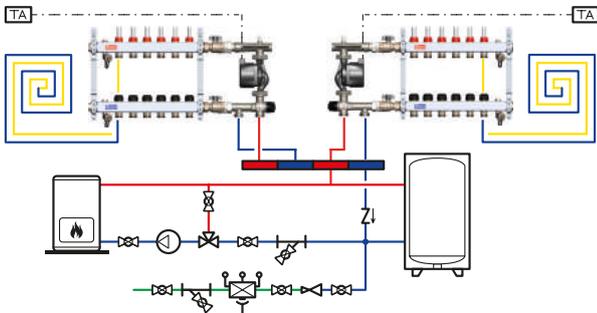
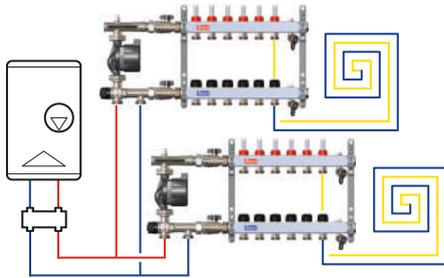
**New group 27B.N**



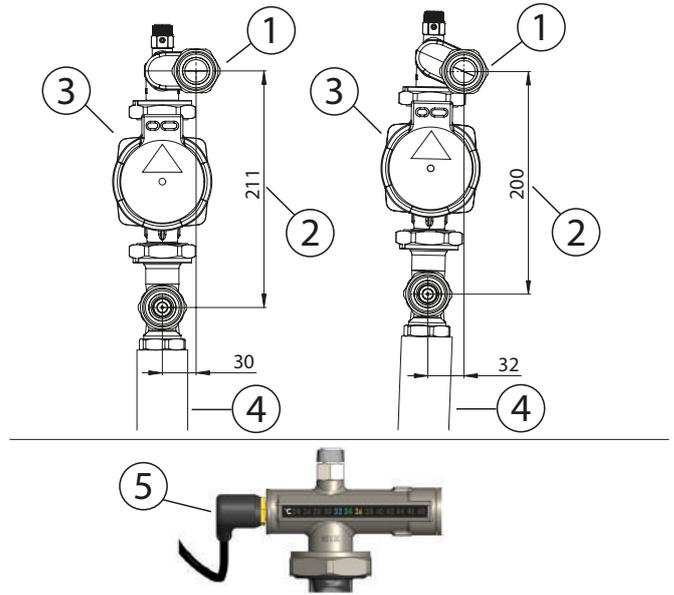
Characteristics of the new 27B.N group:

- 1) Offset fitting on the flow pipe
- 2) Kv of the mixing valve increased to 3,5
- 3) New adjustment range 20-55 °C
- 4) M4 threaded connection for the installation of protection and control devices
- 5) Same overall dimensions of the previous version

**27B.N group: with gas boiler and hydraulic separator/with solid fuel generator and buffer storage in parallel**

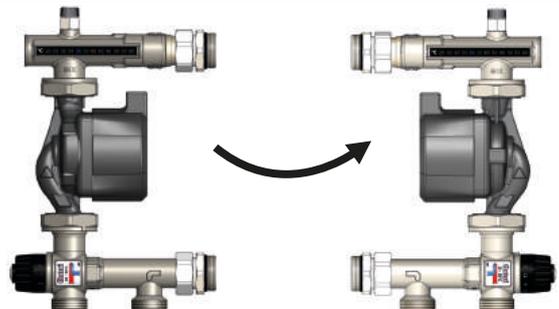
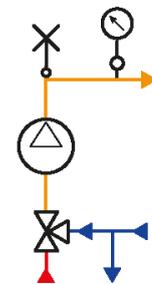


**27B.N: offset fitting, adjustable centre distance/Connection of the 99B safety thermostat**



The offset fitting (1) allows the connection of the group to manifolds with 200-211 mm centre distance (2), the installation of the group in vertical position (3) to make easier the connection with the primary pipes arriving from the bottom (4). The M4 threaded connection allows the installation of protection and control devices such as the 99B series optional safety thermostat kit (5).

**27B.N: hydraulic diagram/Immediate reversibility**



The hydraulic diagram shows the flow directions/The group can be immediately reversed from right to left to exchange the manifold position.

### 30B.N

**New** AVAILABLE 6/2021

Direct distribution recessed group. The group is supplied with temperature gauge and integrated air vent. Complete with fittings for manifold connection. Version without pump on request.

Max working temperature: **90 °C**

Max working pressure: **10 bar**

Connection centre distance to secondary manifold: **200–211 mm**

Code	Size	Pump	Pump code		€
<b>30B 040 NDP 3</b> <b>NEW</b>	G 1 M	<b>wilo</b> Para 25-130/7-50/SC-12	29A.040	1	-
<b>30B 040 NDT 3</b> <b>NEW</b>	G 1 M	<b>GRUNDFOS</b> UPM3 AUTO 25-70 130	31AK	1	-
<b>30B 040 NDM 3</b> <b>NEW</b>	G 1 M	<b>GRUNDFOS</b> (Extra EU) UPSO 25-65 130	01A.40	1	-



**BAFA**  
L I S T

### 99B

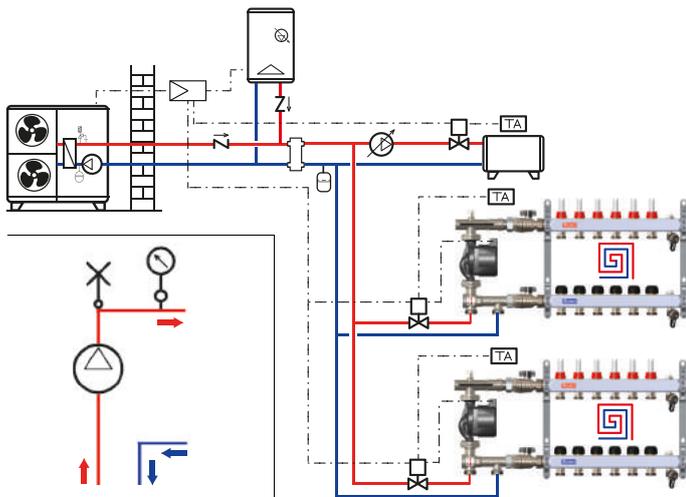
**New**

Safety thermostat kit for distribution and regulating recessed groups 27B.N-29B.N-30B.N. Normally closed with 55 °C setting, pre-wired box.

Code			€
<b>99B 004 005 2</b>	<b>NEW</b>	1	-

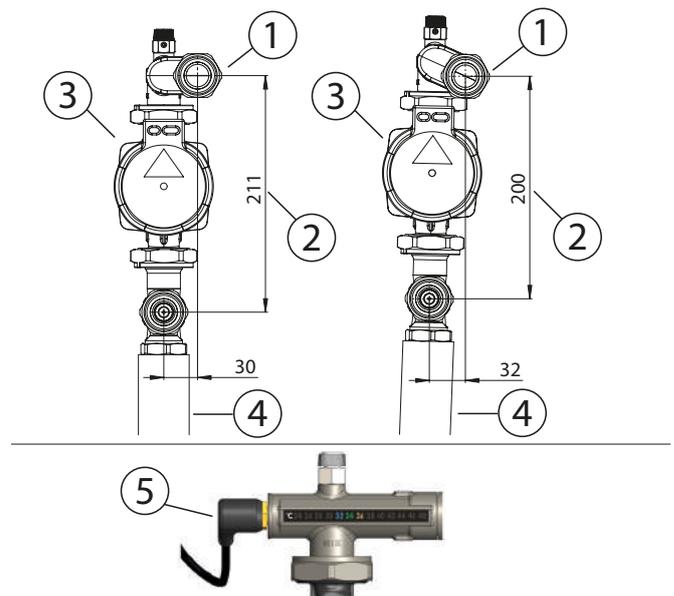


**Group 30B.N with heat pump for heating-cooling combined with a boiler/ Hydraulic diagram**



The 30B.N group supplies water to the terminals in a direct way, without performing any thermal regulation. Therefore it can be coupled to generators with integrated temperature regulation (heat pumps, boilers etc.).

**30B.N: offset fitting, adjustable centre distance/Connection of the 99B safety thermostat**



The offset fitting (1) allows the connection of the group to manifolds with 200-211 mm centre distance (2), the installation of the group in vertical position (3) to make easier the connection with the primary pipes arriving from the bottom (4). The M4 threaded connection allows the installation of protection and control devices such as the 99B series optional safety thermostat kit (5).

## 29B.N

**New**

Recessed regulating group with thermostatic mixing valve 30–60 °C. Fitted to install a primary and a secondary manifold aligned. The group is supplied with temperature gauge and integrated air vent. Version without pump on request.

Temperature adjustment range: **30–60 °C**

Max working temperature: **90 °C**

Max working pressure: **10 bar**

Main connection centre distance: **211 mm**

Connection centre distance to secondary manifold: **211 mm**

Flow coefficient Kv of the mixing valve only



**BAFA**  
LIST

Code	Size	Kv	Pump	Pump code	Box	€
29B 040 N3P 1 <b>NEW</b>	G 1 M	3,5	wilo Para 25-130/7-50/SC-12	29A.040	1	-
29B 040 N3T 1 <b>NEW</b>	G 1 M	3,5	GRUNDFOS UPM3 AUTO 25-70 130	31AK	1	-
29B 040 N3M 1 <b>NEW</b>	G 1 M	3,5	GRUNDFOS (Extra EU) UPSO 25-65 130	01A.40	1	-

## 99B

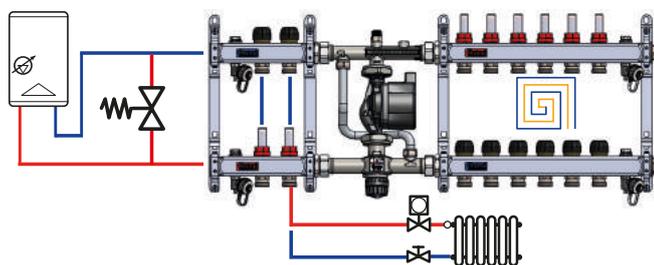
**New**

Safety thermostat kit for distribution and regulating recessed groups 27B.N-29B.N-30B.N. Normally closed with 55 °C setting, pre-wired box.

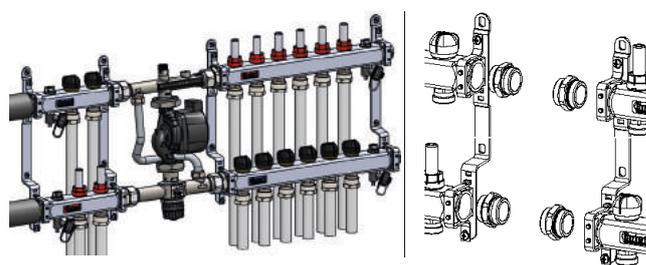


Code	Box	€
99B 004 005 2 <b>NEW</b>	1	-

### 29B.N: diagram with radiators and radiant panel system

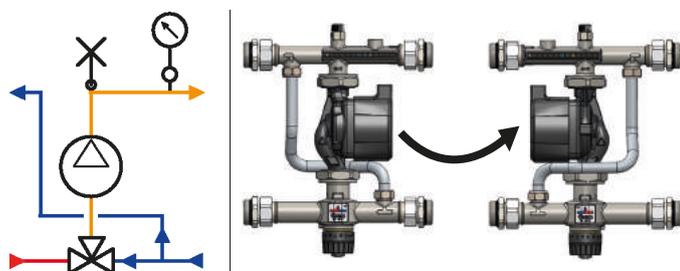


### 29B.N: manifold alignment/Fast fittings for manifolds



The 29B.N group allows the easy installation also of a primary distribution manifold for high temperature. The 211 mm centre distance both for the primary (radiators) and secondary (radiant panels) manifold makes possible to align the manifold thus obtaining a tidy installation.

### 29B.N: hydraulic diagram/Immediate reversibility



The hydraulic diagram shows the flow directions/The group can be immediately reversed from right to left to exchange the position of the primary with the secondary manifold.

### Connection of the 99B safety thermostat



The M4 threaded connection allows the installation of protection and control devices such as the 99B series optional safety thermostat kit.

## 28B.N

**New**

Compact UFH regulating group, for single room, with thermostatic mixing valve 30–65 °C. The group is supplied with control thermostat and wall mounting bracket.

Temperature adjustment range: **30–65 °C**

Max working temperature: **90 °C**

Max working pressure: **10 bar**

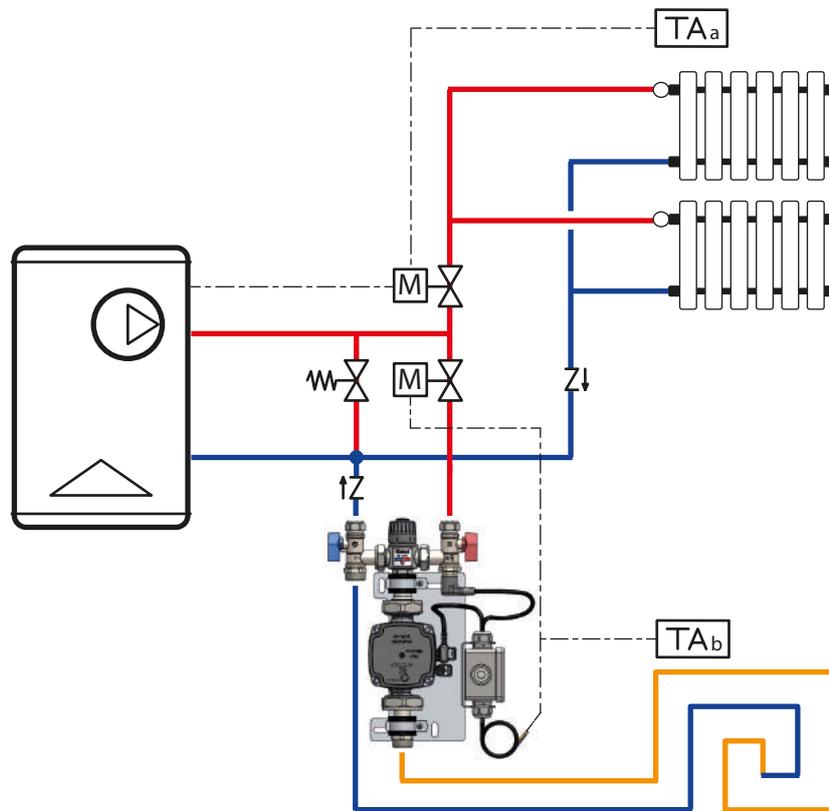
Flow coefficient Kv of the mixing valve only

**BAFA**  
LIST



Code	Size	Kv	Pump	Pump code	Box	€
28B 040 N2T <b>NEW</b>	15 mm - G 3/4 F	2,3	<b>GRUNDFOS</b> UPM3 AUTO 25-70 130	31AK	1	-

**28B.N: use as compact thermostatic group for system extension (single room)**



## 99B.03

**New**

Spare kit for 28B.N group with normally open control thermostat with 42 °C setting, pre-wired box to supply the pump.



Code	Cable for pump	Box	€
99B 004 003 0 <b>NEW</b>	Grundfos UPM3	1	-



## 17B.N-17B.1.N

Recessed regulating group with thermostatic mixing valve. The group is supplied with temperature gauge in a single bag and integrated air vent. Complete with fittings for manifold connection and elbow fitting for primary circuit connection. Yellow versions on request. Version without pump on request.

Max working temperature: **90 °C**

Max working pressure: **10 bar**

Connection centre distance to secondary manifold: **211 mm**

Flow coefficient Kv of the mixing valve only

**BAFA**  
L I S T

Code	Size	Kv	Pump	Pump code	°C		€
17B 040 NOP 	Rp 3/4 - G 1 M	3,5	<b>wilo</b> Para 25-130/7-50/SC-12	29A.040	30-60	1	-
17B 040 NOT 	Rp 3/4 - G 1 M	3,5	<b>GRUNDFOS</b> UPM3 AUTO 25-70 130	31AK	30-60	1	-
17B 040 N00	Rp 3/4 - G 1 M	3,5	<b>GRUNDFOS</b> (Extra EU) UPSO 25-65 130	01A.40	30-60	1	-
17B 040 N1P 	Rp 3/4 - G 1 M	3,5	<b>wilo</b> Para 25-130/7-50/SC-12	29A.040	25-50	1	-
17B 040 N1T 	Rp 3/4 - G 1 M	3,5	<b>GRUNDFOS</b> UPM3 AUTO 25-70 130	31AK	25-50	1	-
17B 040 N10	Rp 3/4 - G 1 M	3,5	<b>GRUNDFOS</b> (Extra EU) UPSO 25-65 130	01A.40	25-50	1	-



## 18B.N-18B.1.N

Recessed regulating group with thermostatic mixing valve and differential by-pass (setting 2-6,5 m w.g.). The group is supplied with temperature gauge in a single bag and integrated air vent. Complete with fittings for manifold connection and elbow fitting for primary circuit connection. Yellow versions on request. Version without pump on request.

Max working temperature: **90 °C**

Max working pressure: **10 bar**

Connection centre distance to secondary manifold: **211 mm**

Flow coefficient Kv of the mixing valve only

**BAFA**  
L I S T

Code	Size	Kv	Pump	Pump code	°C		€
18B 040 NOP 	Rp 3/4 - G 1 M	3,5	<b>wilo</b> Para 25-130/7-50/SC-12	29A.040	30-60	1	-
18B 040 NOT 	Rp 3/4 - G 1 M	3,5	<b>GRUNDFOS</b> UPM3 AUTO 25-70 130	31AK	30-60	1	-
18B 040 N00	Rp 3/4 - G 1 M	3,5	<b>GRUNDFOS</b> (Extra EU) UPSO 25-65 130	01A.40	30-60	1	-
18B 040 N1P 	Rp 3/4 - G 1 M	3,5	<b>wilo</b> Para 25-130/7-50/SC-12	29A.040	25-50	1	-
18B 040 N1T 	Rp 3/4 - G 1 M	3,5	<b>GRUNDFOS</b> UPM3 AUTO 25-70 130	31AK	25-50	1	-
18B 040 N10	Rp 3/4 - G 1 M	3,5	<b>GRUNDFOS</b> (Extra EU) UPSO 25-65 130	01A.40	25-50	1	-



## 07B.N

Differential by-pass kit - setting 2-6,5 m w.g.. Yellow versions on request.

Max working temperature: **95 °C**

Max working pressure: **10 bar**

Connection centre distance to group: **211 mm**

Code	Size		€
07B 015 N00	15 mm - G 3/4 M - Rp 3/4	15	-



### 08M

Stainless steel flow+return distribution manifold, preassembled. Manual air vent and drain cock. Main connection G 1 F. Flow manifold complete with flow rate regulators and flow meters, scale 0–5 l/min. Flow meters can be cleaned. Return manifold fitted for thermo-electric actuators. G 3/4 M eurocone outlets. Mounting brackets

Max working temperature: **70 °C**  
 Max working pressure: **6 bar**  
 Main connection centre distance: **211 mm**  
 Outlet centre distance: **50 mm**  
 Thermo-electric actuator: **M30x1,5 mm**

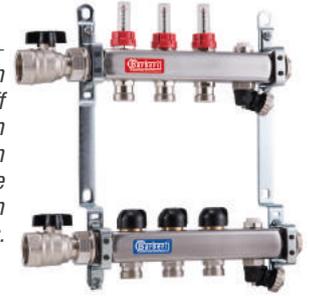


Code	Size	Nr. of zones		€
08M 025 N02	G 1 F - G 3/4 M	2	1	-
08M 025 N03	G 1 F - G 3/4 M	3	1	-
08M 025 N04	G 1 F - G 3/4 M	4	1	-
08M 025 N05	G 1 F - G 3/4 M	5	1	-
08M 025 N06	G 1 F - G 3/4 M	6	1	-
08M 025 N07	G 1 F - G 3/4 M	7	1	-
08M 025 N08	G 1 F - G 3/4 M	8	1	-
08M 025 N09	G 1 F - G 3/4 M	9	1	-
08M 025 N10	G 1 F - G 3/4 M	10	1	-
08M 025 N11	G 1 F - G 3/4 M	11	1	-
08M 025 N12	G 1 F - G 3/4 M	12	1	-

### 16M

Stainless steel flow+return distribution manifold, preassembled. Ball shut-off valves. Manual air vent and drain cock. Main connection G 1 F. Flow manifold complete with flow rate regulators and flow meters, scale 0–5 l/min. Flow meters can be cleaned. Return manifold fitted for thermo-electric actuators. G 3/4 M eurocone outlets. Mounting brackets

Max working temperature: **70 °C**  
 Max working pressure: **6 bar**  
 Main connection centre distance: **211 mm**  
 Outlet centre distance: **50 mm**  
 Thermo-electric actuator: **M30x1,5 mm**



Code	Size	Nr. of zones		€
16M 025 N02	G 1 F - G 3/4 M	2	1	-
16M 025 N03	G 1 F - G 3/4 M	3	1	-
16M 025 N04	G 1 F - G 3/4 M	4	1	-
16M 025 N05	G 1 F - G 3/4 M	5	1	-
16M 025 N06	G 1 F - G 3/4 M	6	1	-
16M 025 N07	G 1 F - G 3/4 M	7	1	-
16M 025 N08	G 1 F - G 3/4 M	8	1	-
16M 025 N09	G 1 F - G 3/4 M	9	1	-
16M 025 N10	G 1 F - G 3/4 M	10	1	-
16M 025 N11	G 1 F - G 3/4 M	11	1	-
16M 025 N12	G 1 F - G 3/4 M	12	1	-

### 07M

Stainless steel flow distribution manifold. Manual air vent and drain cock. Main connection G 1 F. Complete with flow rate regulators and flow meters, scale 0–5 l/min. Flow meters can be cleaned. G 3/4 M eurocone outlets

Max working temperature: **70 °C**  
 Max working pressure: **6 bar**  
 Outlet centre distance: **50 mm**



Code	Size	Nr. of zones		€
07M 025 N02	G 1 F - G 3/4 M	2	1	-
07M 025 N03	G 1 F - G 3/4 M	3	1	-
07M 025 N04	G 1 F - G 3/4 M	4	1	-
07M 025 N05	G 1 F - G 3/4 M	5	1	-
07M 025 N06	G 1 F - G 3/4 M	6	1	-
07M 025 N07	G 1 F - G 3/4 M	7	1	-
07M 025 N08	G 1 F - G 3/4 M	8	1	-
07M 025 N09	G 1 F - G 3/4 M	9	1	-
07M 025 N10	G 1 F - G 3/4 M	10	1	-
07M 025 N11	G 1 F - G 3/4 M	11	1	-
07M 025 N12	G 1 F - G 3/4 M	12	1	-

### 06M

Stainless steel return distribution manifold. Manual air vent and drain cock. Main connection G 1 F. Fitted for thermo-electric actuators - G 3/4 M eurocone outlets

Max working temperature: **70 °C**  
 Max working pressure: **6 bar**  
 Outlet centre distance: **50 mm**  
 Thermo-electric actuator: **M30x1,5 mm**



Code	Size	Nr. of zones		€
06M 025 N02	G 1 F - G 3/4 M	2	1	-
06M 025 N03	G 1 F - G 3/4 M	3	1	-
06M 025 N04	G 1 F - G 3/4 M	4	1	-
06M 025 N05	G 1 F - G 3/4 M	5	1	-
06M 025 N06	G 1 F - G 3/4 M	6	1	-
06M 025 N07	G 1 F - G 3/4 M	7	1	-
06M 025 N08	G 1 F - G 3/4 M	8	1	-
06M 025 N09	G 1 F - G 3/4 M	9	1	-
06M 025 N10	G 1 F - G 3/4 M	10	1	-
06M 025 N11	G 1 F - G 3/4 M	11	1	-
06M 025 N12	G 1 F - G 3/4 M	12	1	-

## V58

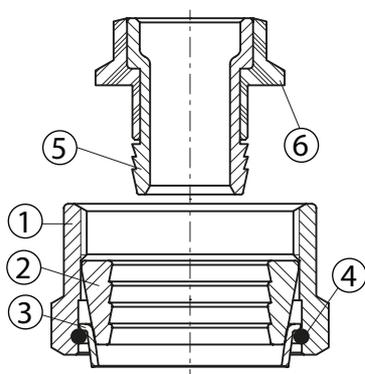
Compression fitting for PEX and multilayer pipes. For heating and cooling circuits. Other sizes available on request.

Tightening torque: **15–20 N·m**  
 Max working temperature: **90 °C**  
 Max working pressure: **10 bar**



Code	Size	Pipe [mm]			€
V58 034 NEA	G 3/4 F	16x2	10	-	-
V58 034 NFA	G 3/4 F	17x2	10	-	-
V58 034 NHB	G 3/4 F	20x2,25	10	-	-

### Fitting V58



Advantages and characteristics of V58 fittings for multilayer and PEX pipes:

- Composed of two parts only: nut and reinforcing insert
- NBR gasket coupled to the reinforcing insert
- Pipe anti-torsion ring. The nut contains an elastic ring with a function similar to a ball bearing: when screwing the nut, the elastic ring avoids the pipe torsion thus making the installation easier and faster. The installation can be performed using one hand only.

- Components:

- 1) Nickel plated nut
- 2) Nylon bush
- 3) Steel pressing ring
- 4) Stainless steel anti-torsion elastic ring
- 5) Brass reinforcing insert
- 6) NBR gasket

## V38.14

Pair of spare mounting brackets for stainless steel manifolds

Material: **zinc plated steel**



Code			€
V38 025 000 14	1	-	-

## M20.C

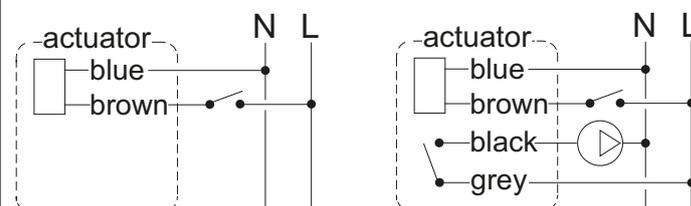
Thermo-electric actuator with open position indicator, adaptor and rapid connection. Normally closed. Auxiliary microswitch (only in 4 pole version), IP 54, 1 m cable.



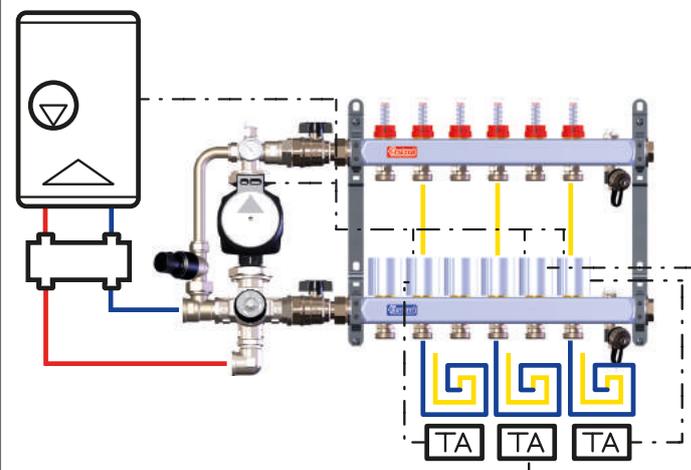
Protection class: **IP 54**  
 Frequency: **50–60 Hz**  
 Inrush current: **max 550 mA**  
 Power consumption: **1 W**  
 Aux. microswitch contact rating: **5 (1) A**  
 Ambient temperature: **0–60 °C**

Code	Size	V	Nr. poles	Cable [m]			€
M20 011 AOC	M30x1,5	230	2	1	1	25	-
M20 011 BOC	M30x1,5	230	4	1	1	20	-

### Wiring diagram M20.C, 2 poles and 4 poles (aux. microswitch)



### 18B.N group with 16M manifolds equipped with M20.C thermo-electric actuators.



## 630.1.2.N

4-way thermostatic mixing valve with 90° inlets - pump connection - Kv 3,5 - range 30–60 °C - flat gasket - nickel plated

Flow coefficient: **Kv 3,5**  
 Temperature adjustment range: **30–60 °C**  
 Max working temperature: **90 °C**  
 Max working pressure: **10 bar**



Code	Size			€
630 A20 N00 1	Rp 3/4 - G 1 1/2 RN	1	10	-

## 630.101.N

4-way thermostatic mixing valve with 90° inlets - pump connection - Kv 3,5 - range 25–50 °C - flat gasket - nickel plated

Flow coefficient: **Kv 3,5**  
 Temperature adjustment range: **25–50 °C**  
 Max working temperature: **90 °C**  
 Max working pressure: **10 bar**



Code	Size			€
630 A20 N10 1	Rp 3/4 - G 1 1/2 RN	1	10	-

## 05B

Manual air vent with PTFE seal - nickel plated

Max working temperature: **95 °C**  
 Max working pressure: **6 bar**  
 Fully open length: **32 mm**  
 Fully closed length: **28 mm**



Code	Size			€
05B 008 N03	G 1/4 M	10	200	-

## P83

Manual air vent with adjustable drain position - nickel plated

Max working temperature: **95 °C**  
 Max working pressure: **6 bar**



Code	Size			€
P83 015 N00	G 1/2 M	2	-	-

## P90.1

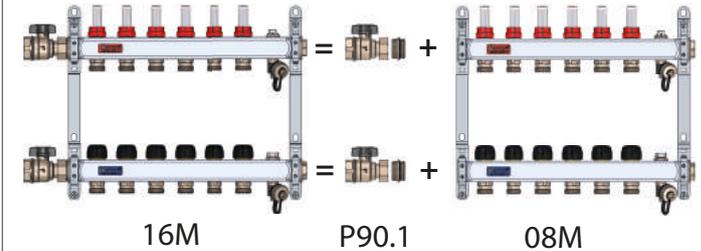
Kit with ball shut-off valve with running nut and flat gasket and fitting for distribution manifolds

Max working temperature: **95 °C**  
 Max working pressure: **10 bar**



Code	Size			€
P90 025 N00 1	G 1 F - G 1 M	2	24	-

P90.1: combined with 08M manifold it forms the 16M manifold



## P91.0

**New**

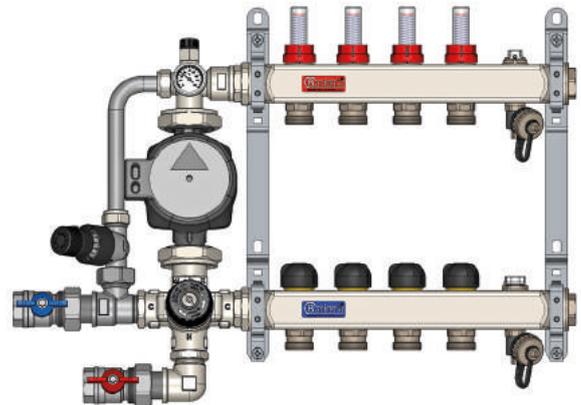
Pair of ball shut-off valves. Red and blue handle, with female and union connections.

Working temperature range: **-20–120 °C**  
 Max working pressure: **30 bar**



Code	Size	Knob colour			€
P91 020 N01 011 <b>NEW</b>	G 3/4 F - G 3/4 M	red/blu	10	20	-

P91.0: use as primary shut-off valves for 17B.N and 18B.N groups



## O5BI

Axial temperature gauge with O\_Ring

Scale: **0-80 °C**  
 Diameter: **32 mm**  
 Stem diameter: **5 mm**  
 Stem total length: **11 mm**  
 O-Ring: **EPDM**



Code			€
05B 015 004 I	1	10	-

## 16B.N

MM running fitting with integrated O-Ring - nickel plated

Max working temperature: **95 °C**  
 Max working pressure: **10 bar**



Code	Size			€
16B 025 N00 1	G 3/4 M - G 1 M	25	100	-

## P30

**New**

Spare flow meter for flow manifold. Scale 0-5 l/min. For stainless steel 08M, 16M, 07M manifolds.

Max working temperature: **70 °C**  
 Max working pressure: **6 bar**



Code	Size			€
P30 015 N00 1I <b>NEW</b>	G 1/2 M	1	-	-

## P29

**New**

Spare shut-off headwork for return manifold. Fitted for thermo-electric actuator. For stainless steel 08M, 16M, 06M manifolds.

Max working temperature: **70 °C**  
 Max working pressure: **6 bar**  
 Thermo-electric actuator: **M30x1,5 mm**



Code	Size			€
P29 015 000 1I <b>NEW</b>	G 1/2 M	1	-	-

## P39

Standard safety relief valve for heating systems

Opening overpressure: **10%**  
 Reseating pressure: **-20%**  
 Outflow coefficient: **K=0,05**  
 Max working temperature: **160 °C**  
 Max working pressure: **10 bar**  
 Suitable fluids: **water, glycol solutions (max 50%)**  
 2014/68/EU PED



Code	Size	Setting [bar]			€
P39 015 000 3	G 1/2 F - G 3/4 F	3	10	40	-
P39 015 000 6	G 1/2 F - G 3/4 F	6	10	40	-

## 617.1.N

Differential by-pass valve with compression end and running nut - setting 2-6,5 m.w.g. - nickel plated. Complete with flat gaskets

Max working temperature: **90 °C**  
 Max working pressure: **10 bar**  
 Connection distance: **55 mm**



Code	Size			€
617 015 N00 1	G 3/4 RN - 15 mm	1	40	-

## Y47.N

Automatic air vent (compact version) - nickel plated

Max working temperature: **95 °C**  
 Max working pressure: **10 bar**



Code	Size			€
Y47 015 N00	G 1/2 M	10	100	-



NUMBER OF PIECES IN BOX



NUMBER OF PIECES IN CARTON



ARTICLE THE BEST SELLER



NEW ARTICLE



## 31AK

Spare pump Grundfos UPM3 AUTO 25-70 130 with high efficiency (EEI<0,20). Complete with 3 pole cable.

Max head: **7 m w.g.**  
 Max working temperature: **100 °C**  
 Max working pressure: **10 bar**  
 Centre distance: **130 mm**

**BAFA**  
L I S T



Code	Size	Nr. poles	Cable [m]	€
31A 040 070 BK	G 1 1/2 M	3	1	-

## 14D.2

3 pole cable with 90° rapid connector for UPM3 AUTO, UPM3 AUTO L and UPM3 solar pumps



Code	Nr. poles	Cable [m]	€
14D 100 002	3	1	-

## 29A.40

Spare pump Wilo Para with high efficiency (EEI<0,20). With 1 m cable

Max head: **7,7 m w.g.**  
 Max working temperature: **100 °C**  
 Max working pressure: **10 bar**  
 Centre distance: **130 mm**

**BAFA**  
L I S T



Code	Size	Pump	Cable [m]	€
29A 040 070 BK	G 1 1/2 M	Para 25-130/7-50/SC-12	1	-

## 14D.5

3 pole cable with 90° rapid connector for Wilo Para



Code	Nr. poles	Cable [m]	€
14D 100 005	3	1	-

## 01A.40

Spare pump Grundfos UPSO 25-65 with 3 constant speeds (Extra EU)

Max head: **6,5 m w.g.**  
 Max working temperature: **100 °C**  
 Max working pressure: **10 bar**  
 Centre distance: **130 mm**



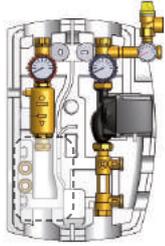
Code	Size	€
01A 040 065 B	G 1 1/2 M	-

COMPONENTS  
FOR THERMAL  
SOLAR SYSTEM

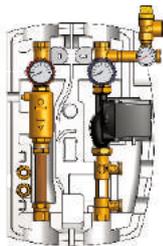
# B4



## FLOW AND RETURN GROUPS: VERSIONS



Without copper pipe  
07S



Complete with copper pipe  
01S



## AVAILABLE CONTROLLERS



Without controller



SOREL  
09S-28S



SEITRON  
12S-27S

## CIRCULATORS



Grundfos UPM3 Solar 15-75  
with high efficiency



Grundfos Solar 15-65 (Extra EU)  
Grundfos Solar 15-70 (Extra EU)

## FLOW RATE REGULATORS WITH FLOW METER



0,5–15 l/min  
3–35 l/min

## ACCESSORIES



12D



15D



18D



30D

## CONNECTION TYPES



G 3/4 M



G 3/4 F

## RETURN ONLY GROUPS: VERSIONS



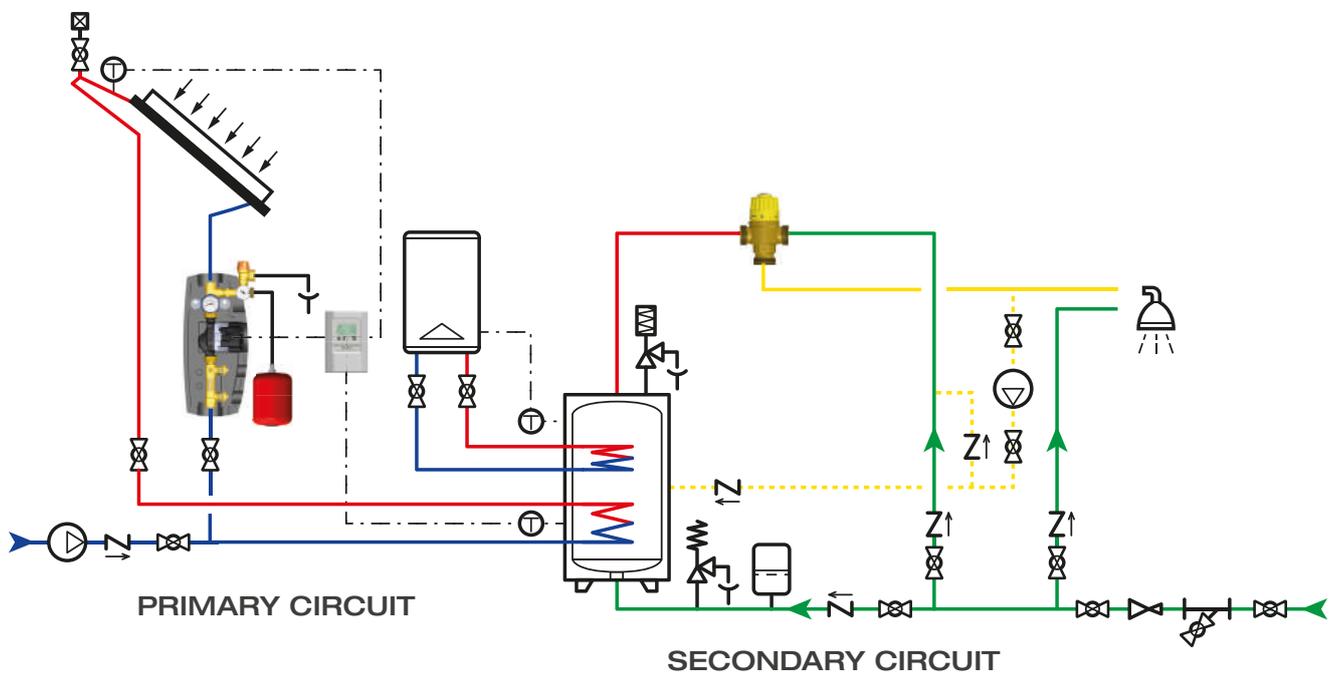
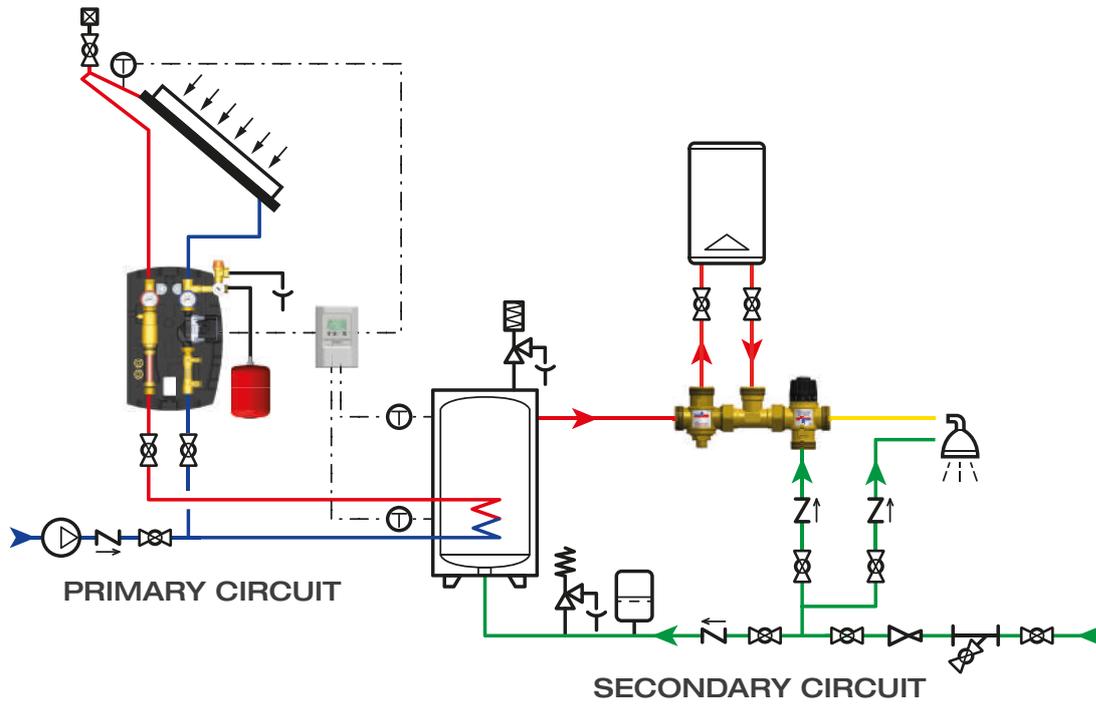
Complete  
05S



Without safety group  
21S







### 07S

Pump station for solar thermal systems. Composed of return and flow connection without copper pipe. On request versions with compression fittings for copper pipes.

Safety relief valve setting: **6 bar**  
 Max working temperature: **110 °C**  
 Max working pressure: **10 bar**  
 Connection centre distance: **125 mm**



**BAFA**  
LIST

Code	Size	Pump	Pump code	l/min	Controller		€
<b>07S 020 OAU</b>	G 3/4 F - G 3/4 F	<b>GRUNDFOS</b> UPM3 Solar 15-75 130	22AK	0,5-15	-	1	-
07S 020 OAG	G 3/4 F - G 3/4 F	<b>GRUNDFOS</b> (Extra EU) Solar 15-65 130	04AK.65	0,5-15	-	1	-
07S 020 OBU	G 3/4 F - G 3/4 F	<b>GRUNDFOS</b> UPM3 Solar 15-75 130	22AK	3-35	-	1	-
07S 020 OBA	G 3/4 F - G 3/4 F	<b>GRUNDFOS</b> (Extra EU) Solar 15-70 130	04AK.70	3-35	-	1	-
07S 020 OAU M	G 3/4 M - G 3/4 M	<b>GRUNDFOS</b> UPM3 Solar 15-75 130	22AK	0,5-15	-	1	-
07S 020 OAG M	G 3/4 M - G 3/4 M	<b>GRUNDFOS</b> (Extra EU) Solar 15-65 130	04AK.65	0,5-15	-	1	-
07S 020 OBU M	G 3/4 M - G 3/4 M	<b>GRUNDFOS</b> UPM3 Solar 15-75 130	22AK	3-35	-	1	-
07S 020 OBA M	G 3/4 M - G 3/4 M	<b>GRUNDFOS</b> (Extra EU) Solar 15-70 130	04AK.70	3-35	-	1	-

### 01S

Pump station for solar thermal systems. Composed of return and flow connection with copper pipe. On request versions with compression fittings for copper pipes.

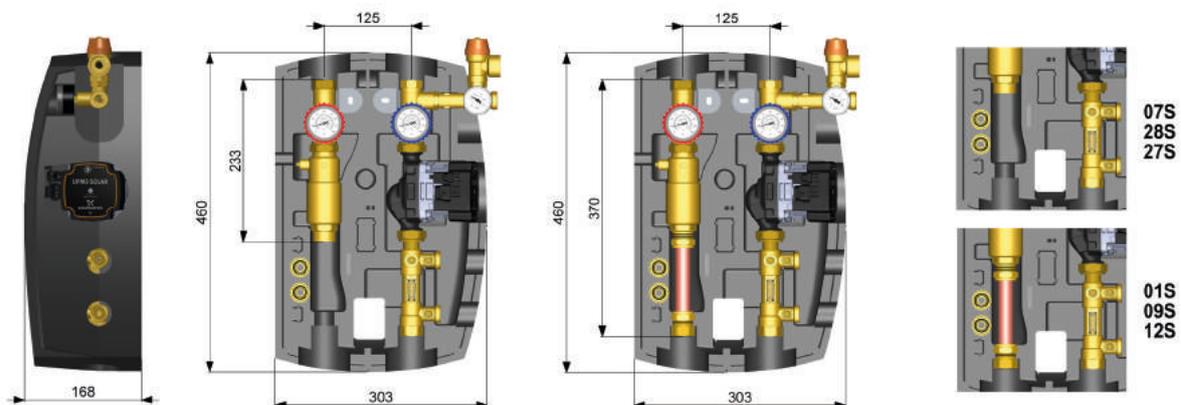
Safety relief valve setting: **6 bar**  
 Max working temperature: **110 °C**  
 Max working pressure: **10 bar**  
 Connection centre distance: **125 mm**



**BAFA**  
LIST

Code	Size	Pump	Pump code	l/min	Controller		€
01S 020 OAU	G 3/4 F - G 3/4 F	<b>GRUNDFOS</b> UPM3 Solar 15-75 130	22AK	0,5-15	-	1	-
01S 020 OAG	G 3/4 F - G 3/4 F	<b>GRUNDFOS</b> (Extra EU) Solar 15-65 130	04AK.65	0,5-15	-	1	-
01S 020 OBU	G 3/4 F - G 3/4 F	<b>GRUNDFOS</b> UPM3 Solar 15-75 130	22AK	3-35	-	1	-
01S 020 OBA	G 3/4 F - G 3/4 F	<b>GRUNDFOS</b> (Extra EU) Solar 15-70 130	04AK.70	3-35	-	1	-
01S 020 OAU M	G 3/4 M - G 3/4 M	<b>GRUNDFOS</b> UPM3 Solar 15-75 130	22AK	0,5-15	-	1	-
01S 020 OAG M	G 3/4 M - G 3/4 M	<b>GRUNDFOS</b> (Extra EU) Solar 15-65 130	04AK.65	0,5-15	-	1	-
01S 020 OBU M	G 3/4 M - G 3/4 M	<b>GRUNDFOS</b> UPM3 Solar 15-75 130	22AK	3-35	-	1	-
01S 020 OBA M	G 3/4 M - G 3/4 M	<b>GRUNDFOS</b> (Extra EU) Solar 15-70 130	04AK.70	3-35	-	1	-

Dimensions of groups without copper pipe (07S-28S-27S) and with copper pipe (01S-09S-12S) - Detail of groups without and with copper pipe



## 28S-27S

Pump station for solar thermal systems with system controller. Composed of return and flow connection without copper pipe

Safety relief valve setting: **6 bar**  
Max working temperature: **110 °C**  
Max working pressure: **10 bar**  
Connection centre distance: **125 mm**

Code	Size	Pump	Pump code	l/min	Controller		€
28S 020 OAU	G 3/4 F - G 3/4 F	<b>GRUNDFOS</b> UPM3 Solar 15-75 130	22AK	0,5-15	Sorel	1	-
28S 020 OAG	G 3/4 F - G 3/4 F	<b>GRUNDFOS</b> (Extra EU) Solar 15-65 130	04AK.65	0,5-15	Sorel	1	-
28S 020 OAU M	G 3/4 M - G 3/4 M	<b>GRUNDFOS</b> UPM3 Solar 15-75 130	22AK	0,5-15	Sorel	1	-
28S 020 OAG M	G 3/4 M - G 3/4 M	<b>GRUNDFOS</b> (Extra EU) Solar 15-65 130	04AK.65	0,5-15	Sorel	1	-
27S 020 OAU	G 3/4 F - G 3/4 F	<b>GRUNDFOS</b> UPM3 Solar 15-75 130	22AK	0,5-15	Seitron	1	-
27S 020 OAG	G 3/4 F - G 3/4 F	<b>GRUNDFOS</b> (Extra EU) Solar 15-65 130	04AK.65	0,5-15	Seitron	1	-
27S 020 OAU M	G 3/4 M - G 3/4 M	<b>GRUNDFOS</b> UPM3 Solar 15-75 130	22AK	0,5-15	Seitron	1	-
27S 020 OAG M	G 3/4 M - G 3/4 M	<b>GRUNDFOS</b> (Extra EU) Solar 15-65 130	04AK.65	0,5-15	Seitron	1	-



**BAFA**  
L I S T

## 09S-12S

Pump station for solar thermal systems with system controller. Composed of return and flow connection with copper pipe

Safety relief valve setting: **6 bar**  
Max working temperature: **110 °C**  
Max working pressure: **10 bar**  
Connection centre distance: **125 mm**

Code	Size	Pump	Pump code	l/min	Controller		€
09S 020 OAU	G 3/4 F - G 3/4 F	<b>GRUNDFOS</b> UPM3 Solar 15-75 130	22AK	0,5-15	Sorel	1	-
09S 020 OAG	G 3/4 F - G 3/4 F	<b>GRUNDFOS</b> (Extra EU) Solar 15-65 130	04AK.65	0,5-15	Sorel	1	-
09S 020 OAU M	G 3/4 M - G 3/4 M	<b>GRUNDFOS</b> UPM3 Solar 15-75 130	22AK	0,5-15	Sorel	1	-
09S 020 OAG M	G 3/4 M - G 3/4 M	<b>GRUNDFOS</b> (Extra EU) Solar 15-65 130	04AK.65	0,5-15	Sorel	1	-
12S 020 OAU	G 3/4 F - G 3/4 F	<b>GRUNDFOS</b> UPM3 Solar 15-75 130	22AK	0,5-15	Seitron	1	-
12S 020 OAG	G 3/4 F - G 3/4 F	<b>GRUNDFOS</b> (Extra EU) Solar 15-65 130	04AK.65	0,5-15	Seitron	1	-
12S 020 OAU M	G 3/4 M - G 3/4 M	<b>GRUNDFOS</b> UPM3 Solar 15-75 130	22AK	0,5-15	Seitron	1	-
12S 020 OAG M	G 3/4 M - G 3/4 M	<b>GRUNDFOS</b> (Extra EU) Solar 15-65 130	04AK.65	0,5-15	Seitron	1	-



**BAFA**  
L I S T

### 05S

Pump station for solar thermal systems - only return line. On request versions with compression fittings for copper pipes.

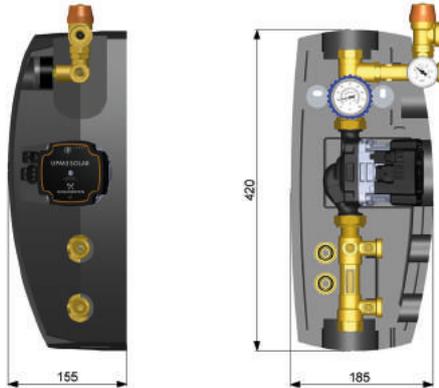
Safety relief valve setting: **6 bar**  
 Max working temperature: **110 °C**  
 Max working pressure: **10 bar**

Code	Size	Pump	Pump code	l/min	Controller		€
<b>05S 020 OAU</b> 	G 3/4 F - G 3/4 F	<b>GRUNDFOS</b> UPM3 Solar 15-75 130	22AK	0,5-15	-	1	-
05S 020 OAG	G 3/4 F - G 3/4 F	<b>GRUNDFOS</b> (Extra EU) Solar 15-65 130	04AK.65	0,5-15	-	1	-
05S 020 OBU	G 3/4 F - G 3/4 F	<b>GRUNDFOS</b> UPM3 Solar 15-75 130	22AK	3-35	-	1	-
05S 020 OBA	G 3/4 F - G 3/4 F	<b>GRUNDFOS</b> (Extra EU) Solar 15-70 130	04AK.70	3-35	-	1	-
05S 020 OAU M	G 3/4 M - G 3/4 M	<b>GRUNDFOS</b> UPM3 Solar 15-75 130	22AK	0,5-15	-	1	-
05S 020 OAG M	G 3/4 M - G 3/4 M	<b>GRUNDFOS</b> (Extra EU) Solar 15-65 130	04AK.65	0,5-15	-	1	-
05S 020 OBU M	G 3/4 M - G 3/4 M	<b>GRUNDFOS</b> UPM3 Solar 15-75 130	22AK	3-35	-	1	-
05S 020 OBA M	G 3/4 M - G 3/4 M	<b>GRUNDFOS</b> (Extra EU) Solar 15-70 130	04AK.70	3-35	-	1	-



**BAFA**  
LIST

#### Dimensions of 05S group



### 12D

Fitting G 3/4 M with compression end, with assembled nut, olive and O-Ring (codes "XXX XXX XXX M" without compression fitting)

Max working temperature: **140 °C**  
 Max working pressure: **16 bar**



Code	Size			€
12D 015 000	15 mm - G 3/4 M	2	-	-
12D 015 000 M	G 1/2 M - G 3/4 M	2	-	-
12D 018 000	18 mm - G 3/4 M	2	-	-
12D 020 000 M	G 3/4 M - G 3/4 M	2	-	-
12D 022 000	22 mm - G 3/4 M	2	-	-
12D 025 000 M	G 1 M - G 3/4 M	2	-	-

## 33D

Solar thermal system controller with 3 temperature probes - 3 Input NTC, 2 Output on/off, 1 Output alarm, 1 Output PWM, 1 Output 0-10 V

Supply: **230 V - 50 Hz**

Protection class: **IP 40**

Preset programs: **6**

Supplied probes: **3 NTC 10K @ 25 °C ± 1%**

Working temperature range of probes:

**-50-200 °C (blue), -50-110 °C (yellow)**



Code	Size	Controller			€
33D 000 000	L-H-D 155-110-30	Seitron TDST24M	1	-	-

## 34D

Solar thermal system controller with 3 temperature probes - 4 Input Pt1000, 2 Output on/off, 1 Output PWM or 0-10 V

Supply: **100-240 V - 50-60 Hz**

Protection class: **IP 40**

Preset programs: **27**

Supplied probes: **3 Pt 1000**

Optional probe: **1 Pt 1000**

Working temperature range of probes:

**-40-300 °C**



Code	Size	Controller			€
34D 000 001	L-H-D 106-157-31	Sorel MTDC	1	-	-

## 14D.4

Spare probe Pt 1000, maximum temperature 180 °C.

Max working temperature: **180 °C (max. ohmic value in output)/220 °C (max fluid temperature)**



Code	Size	Cable [m]			€
14D 100 004 I	5,5 mm	2	-	-	-

## 14D.6

Spare probe NTC 10K @ 25 °C ± 1%, working temperature range -50-200 °C (blue).

Working temperature range of probes:

**-50-200 °C (blue)**



Code	Size	Cable [m]			€
14D 100 006 I	6 mm	1,5	-	-	-

## 04D

Safety relief valve for primary circuit of solar thermal systems

Opening overpressure: **10%**

Reseating pressure: **-20%**

Outflow coefficient: **K=0,05**

Max working temperature: **160 °C**

Max working pressure: **10 bar**

Suitable fluids: **water, glycol solutions (max 50%)**

2014/68/EU PED



Code	Size	Setting [bar]			€
04D 015 000 3	G 1/2 F - G 3/4 F	3	-	50	-
04D 015 000 6	G 1/2 F - G 3/4 F	6	-	50	-

## 03D

Safety group composed of safety relief valve, pressure gauge (0-10 bar), expansion vessel connection, connection with O-Ring and locking nut

Opening overpressure: **10%**

Reseating pressure: **-20%**

Outflow coefficient: **K=0,05**

Max working temperature: **140 °C**

Max working pressure: **10 bar**

Suitable fluids: **water, glycol solutions (max 50%)**



Code	Size	Setting [bar]			€
03D 015 000 3	G 1/2 M - G 3/4 M	3	1	20	-
03D 015 000 6	G 1/2 M - G 3/4 M	6	1	20	-

## 15D

Automatic shut-off valve for expansion vessel replacement

Max working temperature: **140 °C**

Max working pressure: **10 bar**



Code	Size			€
15D 020 000	G 3/4 M - G 3/4 F	10	40	-

### 30D

Expansion vessel for primary and secondary circuit of solar thermal systems. Versions with maximum pressure 10 bar have interchangeable membrane. Balloon (bladder) membrane

Max working temperature: **99 °C**  
 Max working peak temperature: **130 °C (max 4 h/day)**  
 Suitable fluids: **water, glycol solutions (max 50%)**  
 Suitable for potable water



Code	Size	Litres	P [bar]		€
30D 020 006 12	G 3/4 M	12	8	1	-
30D 020 006 18	G 3/4 M	18	8	1	-
30D 020 006 25	G 3/4 M	25	8	1	-
30D 020 006 40	G 3/4 M	40	8	1	-
30D 020 008 12	G 3/4 M	12	10	1	-
30D 020 008 19	G 3/4 M	19	10	1	-
30D 020 008 25	G 3/4 M	25	10	1	-
30D 020 008 40	G 3/4 M	40	10	1	-

### 18D

Expansion vessel installation kit (hose, bracket, wall anchors and automatic shut-off valve 15D) - hose length 500 mm

Max working temperature: **140 °C**  
 Max working pressure: **10 bar**



Code	Size			€
18D 020 000	G 3/4 F	-	15	-

### 18D.1

Expansion vessel installation kit (hose, bracket, wall anchors and automatic shut-off valve 15D) - hose length 730 mm

Max working temperature: **140 °C**  
 Max working pressure: **10 bar**



Code	Size			€
18D 020 000 1	G 3/4 F	-	15	-

### 06D

Monobloc with pump connection (ball shut-off valve + temperature gauge + check valve + holes for brackets) - temperature gauge 0-160 °C (32-320 °F) - red knob

Max working temperature: **140 °C**  
 Max working pressure: **10 bar**



Code	Size	Knob colour			€
06D 020 000 R	G 3/4 F - G 1 RN	red	-	24	-

### 07D

Monobloc with pump connection (ball shut-off valve + temperature gauge + check valve + holes for brackets + check valve override + side connection) - temperature gauge 0-160 °C (32-320 °F) - blue handle

Max working temperature: **140 °C**  
 Max working pressure: **10 bar**



Code	Size	Knob colour			€
07D 020 000	G 1 RN - G 3/4 F	blue	-	24	-

### P71

Vertical manual deaerator

Max working temperature: **140 °C**  
 Max working pressure: **10 bar**



Code	Size			€
P71 020 000	G 1 M - G 3/4 F	1	28	-
P71 020 000 M	G 1 M - G 3/4 M	1	28	-
P71 022 000	G 1 M - 22 mm	1	28	-

## 02D-31D

Flow rate regulator DN 15 with glass measurement zone, 2 fill/drain connections with ball shut-off valves - flow rate regulation through ball valve

Max working temperature: **140 °C**

Max working pressure: **10 bar**



Code	Size	l/min			€
02D 015 000 PT	G 3/4 F - G 1 RN - G 3/4 M	0,5-15	1	20	-
02D 018 000 PT	18 mm - G 1 RN - G 3/4 M	0,5-15	1	20	-
02D 020 000 PTM	G 3/4 M - G 1 RN - G 3/4 M	0,5-15	1	20	-
02D 022 000 PT	22 mm - G 1 RN - G 3/4 M	0,5-15	1	20	-
31D 015 000 PT	G 3/4 F - G 1 RN - G 3/4 M	3-35	1	20	-

## P32

Ball drain cock for solar thermal systems - with 15 mm hose connection and plug

Max working temperature: **150 °C**

Max working pressure: **16 bar**



Code	Size			€
P32 015 000	G 1/2 M	10	40	-

## 005KV

Universal check valve - FF - brass obturator - viton gasket

Max working temperature: **150 °C**



Code	Size	P [bar]			€
005 008 000 KV	G 1/4 F	35	30	240	-
005 010 000 KV	G 3/8 F	35	30	240	-
005 015 000 KV	G 1/2 F	35	30	240	-
005 020 000 KV	G 3/4 F	35	18	144	-
005 025 000 KV	G 1 F	35	14	84	-
005 032 000 KV	G 1 1/4 F	25	12	72	-
005 040 000 KV	G 1 1/2 F	25	10	40	-
005 050 000 KV	G 2 F	25	6	36	-
005 065 000 KV	G 2 1/2 F	12	-	15	-
005 080 000 KV	G 3 F	12	-	12	-
005 100 000 KV	G 4 F	12	-	5	-

## 020KV

Universal check valve - FF - brass obturator - viton gasket - suitable for high pressure application

Max working temperature: **150 °C**



Code	Size	P [bar]			€
020 010 000 KV	G 3/8 F	50	24	192	-
020 015 000 KV	G 1/2 F	50	20	160	-
020 020 000 KV	G 3/4 F	50	12	96	-
020 025 000 KV	G 1 F	50	8	64	-
020 032 000 KV	G 1 1/4 F	35	8	48	-
020 040 000 KV	G 1 1/2 F	35	6	36	-
020 050 000 KV	G 2 F	35	5	20	-

## 11D.160

Axial temperature gauge

Scale: **0-160 °C / 32-320 °F**

Diameter: **51 mm**

Stem diameter: **5 mm**

Stem total length: **50,5 mm**



Code	Size			€
11D 015 000 160	Ø 51 mm	-	10	-

### 22AK

Spare pump Grundfos UPM3 Solar 25-75 130 with high efficiency (EEI<0,20). Complete with 3 pole cable.

Max head: **7,5 m w.g.**  
 Max working temperature: **100 °C**  
 Max working pressure: **10 bar**  
 Centre distance: **130 mm**



#### BAFA LIST

Code	Size	Nr. poles	Cable [m]	€
22A 025 075 BK	G 1 M	3	1	-

### 14D.2

3 pole cable with 90° rapid connector for UPM3 AUTO, UPM3 AUTO L and UPM3 solar pumps



Code	Nr. poles	Cable [m]	€
14D 100 002	3	1	-

### 14D.3

Cable for PWM signal with rapid connector (Superseal type) for UPM3 solar pump



Code	Nr. poles	Cable [m]	€
14D 100 003	3	1	-

### 04AK.65

Spare pump Grundfos UPS (Extra EU) Solar 15-65 130 for solar thermal systems with 3 constant speeds. Complete with 3 pole cable.

Max head: **6,5 m w.g.**  
 Max working temperature: **110 °C**  
 Max working pressure: **10 bar**  
 Centre distance: **130 mm**



Code	Size	Nr. poles	Cable [m]	€
04A 025 065 BK	G 1 M	3	1	-

### 04AK.70

Spare pump Grundfos UPS (Extra EU) Solar 15-70 130 for solar thermal systems with 3 constant speeds. Complete with 3 pole cable.

Max head: **7 m w.g.**  
 Max working temperature: **110 °C**  
 Max working pressure: **10 bar**  
 Centre distance: **130 mm**



Code	Size	Nr. poles	Cable [m]	€
04A 025 070 BK	G 1 M	3	1	-

### 14D

3 pole cable with rapid connector for UPS solar pump



Code	Nr. poles	Cable [m]	€
14D 100 000	3	1	-



## P04



Thermal solar system thermostatic mixing valve - antiscald - Kv 1,8 - range 30-65 °C

Flow coefficient: **Kv 1,8**

Temperature adjustment range: **30-65 °C**

Max working temperature: **110 °C**

Max working pressure: **10 bar**



Code	Size			€
P04 A20 000	G 3/4 M	1	20	-
P04 A25 000	G 1 M	1	20	-

## P05



Thermal solar system thermostatic mixing valve - antiscald - Kv 2,3 - range 30-65 °C

Flow coefficient: **Kv 2,3**

Temperature adjustment range: **30-65 °C**

Max working temperature: **110 °C**

Max working pressure: **10 bar**



Code	Size			€
P05 A20 000	G 3/4 M	1	20	-
P05 A25 000	G 1 M	1	20	-

## P04.L2



Thermal solar system thermostatic mixing valve - antiscald - Kv 1,8 - range 30-65 °C. Fittings and check valves insert unassembled (V38.04)

Flow coefficient: **Kv 1,8**

Temperature adjustment range: **30-65 °C**

Max working temperature: **110 °C**

Max working pressure: **10 bar**



Code	Size			€
P04 A20 000 L2	G 3/4 M	1	20	-
P04 A25 000 L2	G 1 M	1	20	-

## P05.L2



Thermal solar system thermostatic mixing valve - antiscald - Kv 2,3 - range 30-65 °C. Fittings and check valve insert unassembled (V38.04)

Flow coefficient: **Kv 2,3**

Temperature adjustment range: **30-65 °C**

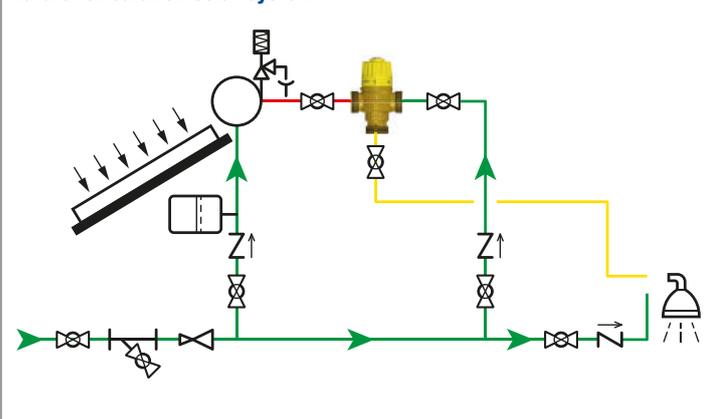
Max working temperature: **110 °C**

Max working pressure: **10 bar**

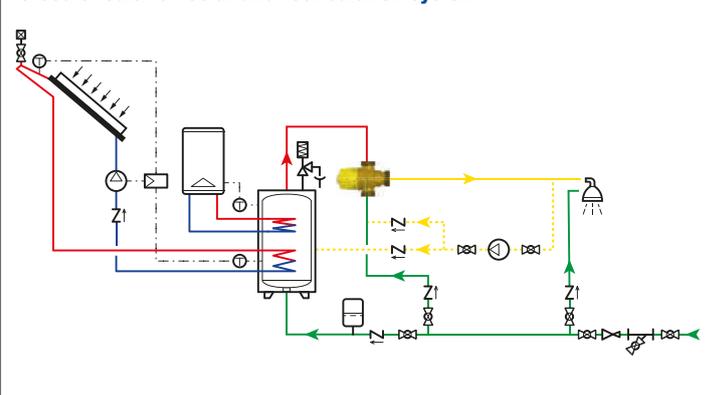


Code	Size			€
P05 A20 000 L2	G 3/4 M	1	20	-
P05 A25 000 L2	G 1 M	1	20	-

Natural circulation solar system



Forced circulation solar and recirculation system



### V20



Solar-to-boiler thermal integration kit with thermostatic diverting valve and thermostatic mixing valve. For boiler with storage or boiler with instantaneous DHW production able to receive pre-heated water at the inlet.

Flow coefficient: **Kv 2**  
 Temperature adjustment range: **35–60 °C**  
 Diverting valve setting: **45 °C**  
 Max working temperature: **95 °C**  
 Max working pressure: **10 bar**



Code	Size			€
V20 M25 001	G 1 M	1	10	-

### V20.L1



Solar-to-boiler thermal integration kit with thermostatic diverting valve and thermostatic mixing valve - 5 fittings and 3 check valves inserts. For boiler with storage or boiler with instantaneous DHW production able to receive pre-heated water at the inlet.

Flow coefficient: **Kv 2**  
 Temperature adjustment range: **35–60 °C**  
 Diverting valve setting: **45 °C**  
 Max working temperature: **95 °C**  
 Max working pressure: **10 bar**



Code	Size			€
V20 M25 001 L1	G 1 M	1	6	-

### V20.L2



Solar-to-boiler thermal integration kit with thermostatic diverting valve and thermostatic mixing valve - 5 fittings P93. For boiler with storage or boiler with instantaneous DHW production able to receive pre-heated water at the inlet.

Flow coefficient: **Kv 2**  
 Temperature adjustment range: **35–60 °C**  
 Diverting valve setting: **45 °C**  
 Max working temperature: **95 °C**  
 Max working pressure: **10 bar**



Code	Size			€
V20 M25 001 L2	G 3/4 M	1	6	-



### V20.1

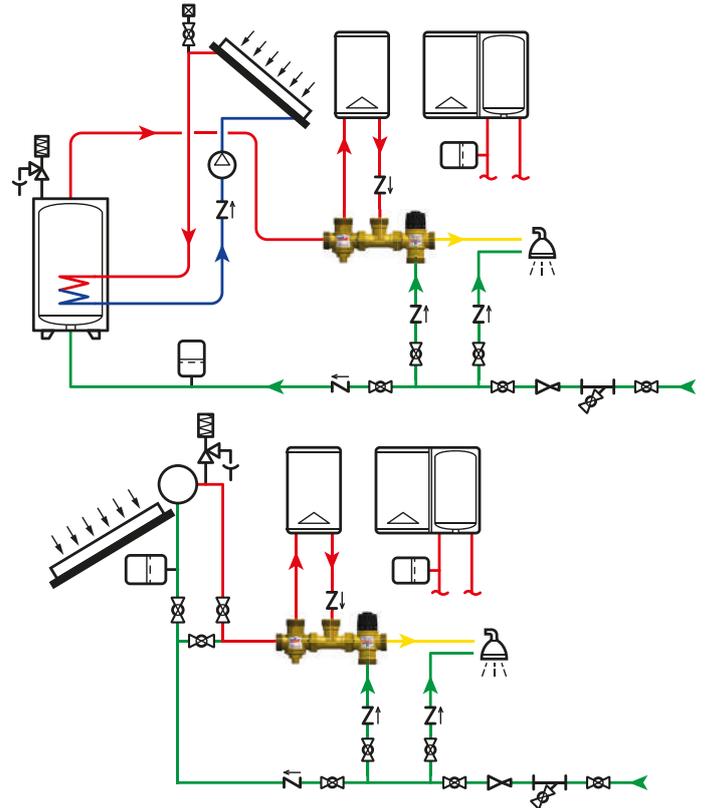
Insulation for solar-to-boiler integration kit V20, V20.L1, V20.L2



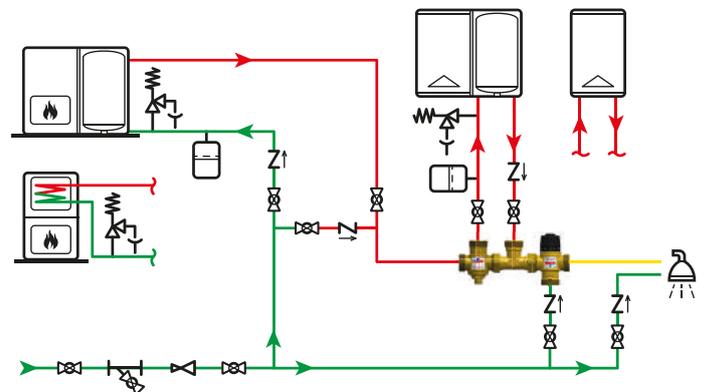
Max working temperature: **140 °C**

Code	Size			€
V20 000 001	225 mm x 100 mm	-	-	-

#### V20 for integration: forced circulation solar-to-boiler; natural circulation solar-to-boiler

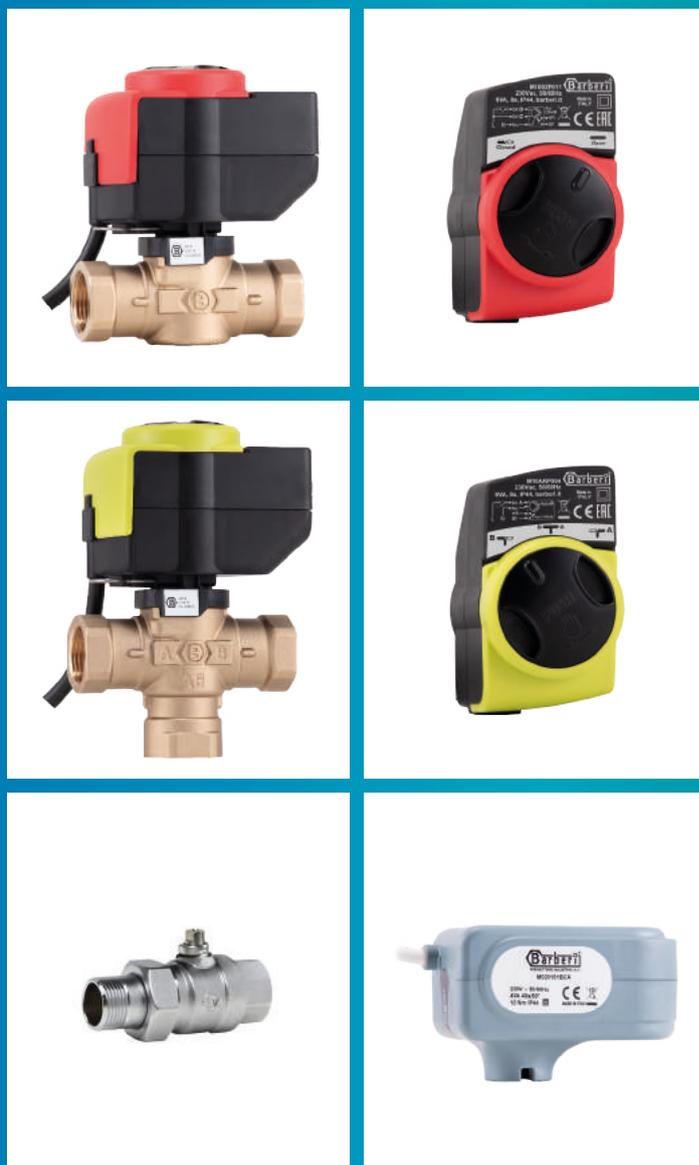


#### V20 for biomass-to-boiler integration



# ZONE AND DIVERTING VALVES

# B5





# GREEN DEAL SOLUTIONS



**SIMPLE TECHNOLOGICAL AVANT-GUARDE**  
HIGH PERFORMANCE WITH THE LOWEST CONSUMPTION IN THE CATEGORY

# BSS5

soft torque technology

NEW



ARP

AUTOMATIC RETURN in POSITION

#### ELECTRONIC EVOLUTION:

THE SPRING RETURN SYSTEMS GIVE WAY TO AN INNOVATIVE SYSTEM THAT MANAGES THE AUTOMATIC CLOSING THROUGH THE ELECTRONICS OF THE ACTUATOR.



soft torque technology

#### BARBERI PATENTED TECHNOLOGY:

THE COMBINATION BETWEEN DESIGN AND MATERIALS OF THE COMPONENTS INCREASES THE PRODUCT PERFORMANCE AND ITS LIFE OVER TIME.



DISCOVER MORE ON  
[www.barberi.it](http://www.barberi.it)



NEW  
TECHNICAL  
FEATURES



ENERGY  
SAVING



COMPACT  
DESIGN



USER  
FRIENDLY



FLEXIBLE  
RANGE

# BS5

soft torque technology



## NEW SERIES BS5 2P

THE NEW 2 POINT BS5 SERIES REPLACES THE PREVIOUS 2-WAY AND 3-WAY Y SERIES.



INTERCHANGEABLE  
ACTUATOR  
WITH Y SERIES



ROTATION IN 8 S



AUXILIARY  
MICROSWITCH



MANUAL MODE - MID  
POINT



INTEGRATED CABLE

## V82.W.2PM

New AVAILABLE 6/2021 BS5

2-way zone valve. 2 point actuator with rapid assembling on the valve, manual knob and cable. Auxiliary microswitch.

Max differential pressure: **1 bar**  
 Working temperature range: **0 (no frost)–90 °C**  
 Max working pressure: **10 bar**  
 Protection class: **IP 44**  
 Frequency: **50–60 Hz**  
 Power consumption: **6 VA**  
 Aux. microswitch contact rating: **1 SPST, 6(1) A-230 V**



Code	Size	Kv	V	Running time [s]	Nr. poles	Cable connection	Cable [m]			€
V82 BF1 WAD E <b>NEW</b>	G 1/2 F	12	230	8	5	Integrated	0,9	1	6	-
V82 BF2 WAD E <b>NEW</b>	G 3/4 F	12	230	8	5	Integrated	0,9	1	6	-
V82 BF3 WAD E <b>NEW</b>	G 1 F	12	230	8	5	Integrated	0,9	1	6	-
V82 B22 WAD E <b>NEW</b>	22 mm	12	230	8	5	Integrated	0,9	1	6	-
V82 B28 WAD E <b>NEW</b>	28 mm	12	230	8	5	Integrated	0,9	1	6	-
V82 BM2 WAD E <b>NEW</b>	G 3/4 M	12	230	8	5	Integrated	0,9	1	6	-
V82 BM3 WAD E <b>NEW</b>	G 1 M	12	230	8	5	Integrated	0,9	1	6	-
V82 BM4 WAD E <b>NEW</b>	G 1 1/4 M	12	230	8	5	Integrated	0,9	1	6	-

## M10.02P.2VM

New AVAILABLE 6/2021 BS5

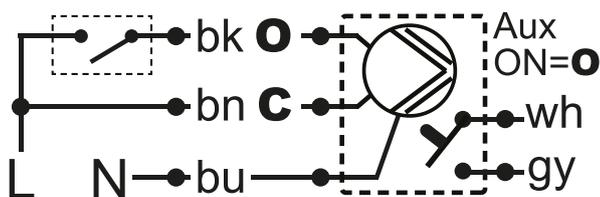
Spare actuator for 2-way zone valve. 2 point type with rapid assembling on the valve, manual knob and cable. Auxiliary microswitch.

Protection class: **IP 44**  
 Frequency: **50–60 Hz**  
 Power consumption: **6 VA**  
 Aux. microswitch contact rating: **1 SPST, 6(1) A-230 V**

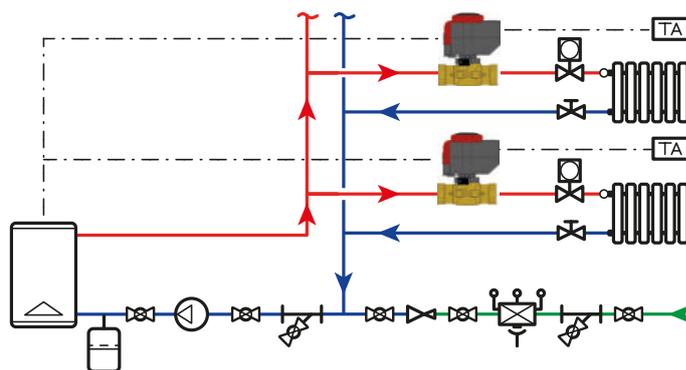


Code	V	Running time [s]	Nr. poles	Cable connection	Cable [m]			€
M10 02P 011 <b>NEW</b>	230	8	5	Integrated	0,9	1	10	-

Wiring diagram M10, 2 points-5 poles with aux. microswitch



Use of V82 as zone valves



### V83.W.2PM

New  AVAILABLE 6/2021 **B55**

3-way zone and diverting valve with central common port. 2 point actuator with rapid assembling on the valve, manual knob and cable. Auxiliary microswitch.

- Max differential pressure: **1 bar**
- Working temperature range: **0 (no frost)–90 °C**
- Max working pressure: **10 bar**
- Protection class: **IP 44**
- Frequency: **50–60 Hz**
- Power consumption: **6 VA**
- Aux. microswitch contact rating: **1 SPST, 6(1) A-230 V**



Code	Size	Kv	V	Running time [s]	Nr. poles	Cable connection	Cable [m]			€
V83 AF1 WAD C <b>NEW</b>	G 1/2 F	8	230	8	5	Integrated	0,9	1	6	-
V83 AF2 WAD C <b>NEW</b>	G 3/4 F	8	230	8	5	Integrated	0,9	1	6	-
V83 AF3 WAD C <b>NEW</b>	G 1 F	8	230	8	5	Integrated	0,9	1	6	-
V83 A22 WAD C <b>NEW</b>	22 mm	8	230	8	5	Integrated	0,9	1	6	-
V83 A28 WAD C <b>NEW</b>	28 mm	8	230	8	5	Integrated	0,9	1	6	-
V83 AM2 WAD C <b>NEW</b>	G 3/4 M	8	230	8	5	Integrated	0,9	1	6	-
V83 AM3 WAD C <b>NEW</b>	G 1 M	8	230	8	5	Integrated	0,9	1	6	-
V83 AM4 WAD C <b>NEW</b>	G 1 1/4 M	8	230	8	5	Integrated	0,9	1	6	-

### M10.02P.3VM

New  AVAILABLE 6/2021 **B55**

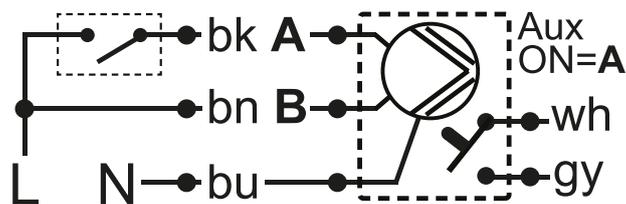
Spare actuator for 3-way zone and diverting valve. 2 point type with rapid assembling on the valve, manual knob and cable. Auxiliary microswitch.

- Protection class: **IP 44**
- Frequency: **50–60 Hz**
- Power consumption: **6 VA**
- Aux. microswitch contact rating: **1 SPST, 6(1) A-230 V**



Code	V	Running time [s]	Nr. poles	Cable connection	Cable [m]			€
M10 02P 007 <b>NEW</b>	230	8	5	Integrated	0,9	1	10	-

Wiring diagram M10, 2 points-5 poles with aux. microswitch



### P93

Fitting with running nut and flat gasket

- Max working temperature: **100 °C**
- Max working pressure: **25 bar**

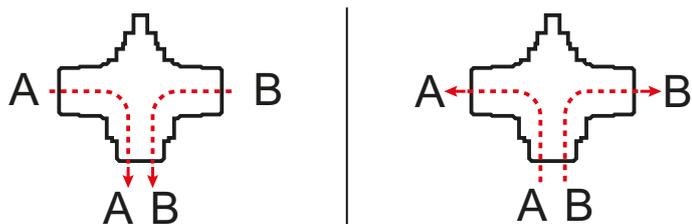


Code	Size			€
P93 015 000	G 1/2 M - G 3/4 RN	20	80	-
P93 020 000	G 3/4 M - G 1 RN	16	64	-

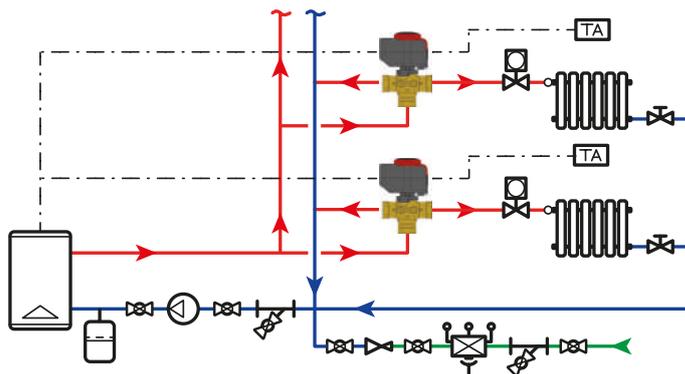


3-WAY ZONE AND DIVERTING VALVES WITH 2 POINT ACTUATOR

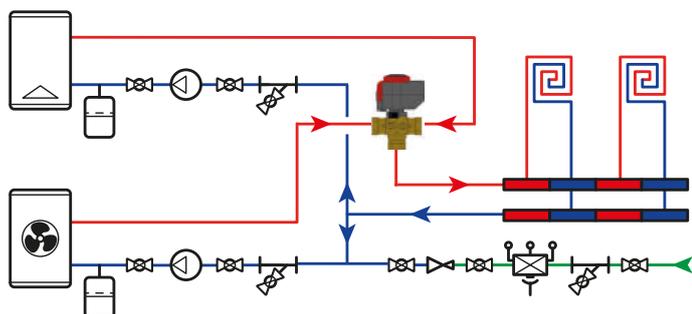
Use of ports for the 3-way valve



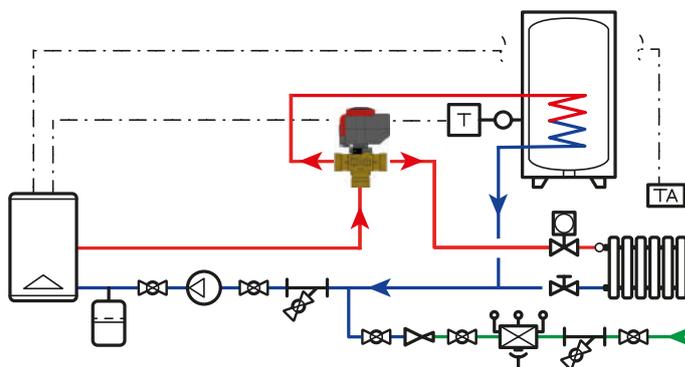
V83: use as zone valve



V83: use as diverting valve, 2 inlets and 1 outlet



V83: use as diverting valve, 1 inlet and 2 outlets



# B55 ARP

soft torque technology



NEW



ARP

AUTOMATIC RETURN in POSITION

## ELECTRONIC EVOLUTION:

THE SPRING RETURN SYSTEMS GIVE WAY TO AN INNOVATIVE SYSTEM THAT MANAGES THE AUTOMATIC CLOSING THROUGH THE ELECTRONICS OF THE ACTUATOR.



INTERCHANGEABLE  
WITH SPRING RETURN  
VALVES



SIMPLIFIED  
ELECTRICAL  
CONNECTION



CONSUMPTION  
REDUCED UP TO 90%



ROTATION IN 8 S



AUXILIARY  
MICROSWITCH



MANUAL MODE - MID  
POINT

## V82.W.ARP

New AVAILABLE 6/2021 B55 ARP

2-way zone valve. ARP actuator with automatic return in position, rapid assembling on the valve, manual knob and cable. Auxiliary microswitch.

- Max differential pressure: **1 bar**
- Working temperature range: **0 (no frost)–90 °C**
- Max working pressure: **10 bar**
- Protection class: **IP 44**
- Frequency: **50–60 Hz**
- Power consumption: **6 VA**
- Aux. microswitch contact rating: **1 SPST, 6(1) A-230 V**



Code	Size	Kv	V	Running time [s]	Nr. poles	Cable connection	Cable [m]			€
V82 BF1 WBD E <b>NEW</b>	G 1/2 F	12	230	8	4	Integrated	0,9	1	6	-
V82 BF2 WBD E <b>NEW</b>	G 3/4 F	12	230	8	4	Integrated	0,9	1	6	-
V82 BF3 WBD E <b>NEW</b>	G 1 F	12	230	8	4	Integrated	0,9	1	6	-
V82 B22 WBD E <b>NEW</b>	22 mm	12	230	8	4	Integrated	0,9	1	6	-
V82 B28 WBD E <b>NEW</b>	28 mm	12	230	8	4	Integrated	0,9	1	6	-
V82 BM2 WBD E <b>NEW</b>	G 3/4 M	12	230	8	4	Integrated	0,9	1	6	-
V82 BM3 WBD E <b>NEW</b>	G 1 M	12	230	8	4	Integrated	0,9	1	6	-
V82 BM4 WBD E <b>NEW</b>	G 1 1/4 M	12	230	8	4	Integrated	0,9	1	6	-

## M10.ARP.2VM

New AVAILABLE 6/2021 B55 ARP

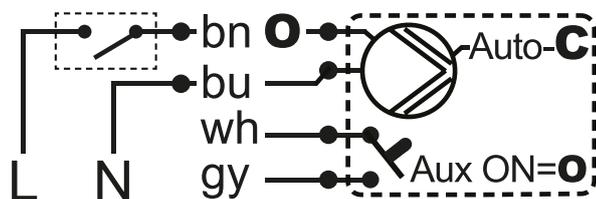
Spare ARP actuator with automatic return in position for 2-way zone valve. With rapid assembling on the valve, manual knob and cable. Auxiliary microswitch.

- Protection class: **IP 44**
- Frequency: **50–60 Hz**
- Power consumption: **6 VA**
- Aux. microswitch contact rating: **1 SPST, 6(1) A-230 V**

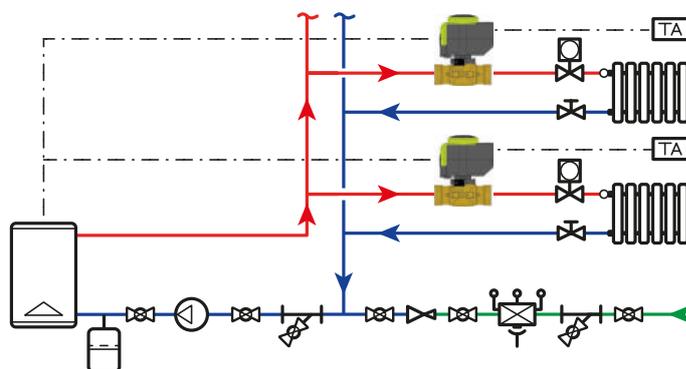


Code	V	Running time [s]	Nr. poles	Cable connection	Cable [m]			€
M10 ARP 005 <b>NEW</b>	230	8	4	Integrated	0,9	1	10	-

Wiring diagram M10 ARP with automatic return in position with aux. microswitch



Use of V82 as zone valves



### V83.W.ARP

New AVAILABLE 6/2021 B55 ARP

3-way zone and diverting valve with central common port. ARP actuator with automatic return in position, rapid assembling on the valve, manual knob and cable. Auxiliary microswitch.

- Max differential pressure: **1 bar**
- Working temperature range: **0 (no frost)–90 °C**
- Max working pressure: **10 bar**
- Protection class: **IP 44**
- Frequency: **50–60 Hz**
- Power consumption: **6 VA**
- Aux. microswitch contact rating: **1 SPST, 6(1) A-230 V**



Code	Size	Kv	V	Running time [s]	Nr. poles	Cable connection	Cable [m]			€
V83 AF1 WBD D <b>NEW</b>	G 1/2 F	8	230	8	4	Integrated	0,9	1	6	-
V83 AF2 WBD D <b>NEW</b>	G 3/4 F	8	230	8	4	Integrated	0,9	1	6	-
V83 AF3 WBD D <b>NEW</b>	G 1 F	8	230	8	4	Integrated	0,9	1	6	-
V83 A22 WBD D <b>NEW</b>	22 mm	8	230	8	4	Integrated	0,9	1	6	-
V83 A28 WBD D <b>NEW</b>	28 mm	8	230	8	4	Integrated	0,9	1	6	-
V83 AM2 WBD D <b>NEW</b>	G 3/4 M	8	230	8	4	Integrated	0,9	1	6	-
V83 AM3 WBD D <b>NEW</b>	G 1 M	8	230	8	4	Integrated	0,9	1	6	-
V83 AM4 WBD D <b>NEW</b>	G 1 1/4 M	8	230	8	4	Integrated	0,9	1	6	-

### M10.ARP.3VM

New AVAILABLE 6/2021 B55 ARP

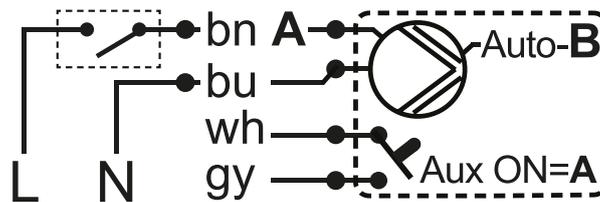
Spare ARP actuator with automatic return in position for 3-way zone and diverting valve. With rapid assembling on the valve, manual knob and cable. Auxiliary microswitch.

- Protection class: **IP 44**
- Frequency: **50–60 Hz**
- Power consumption: **6 VA**
- Aux. microswitch contact rating: **1 SPST, 6(1) A-230 V**



Code	V	Running time [s]	Nr. poles	Cable connection	Cable [m]			€
M10 ARP 004 <b>NEW</b>	230	8	4	Integrated	0,9	1	10	-

Wiring diagram M10 ARP with automatic return in position with aux. microswitch



### P93

Fitting with running nut and flat gasket

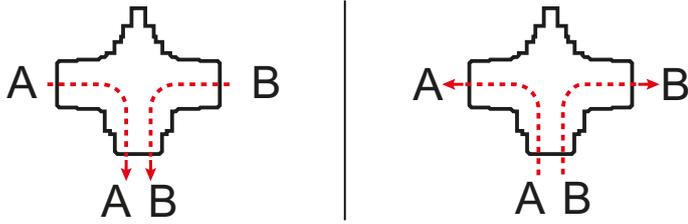
- Max working temperature: **100 °C**
- Max working pressure: **25 bar**



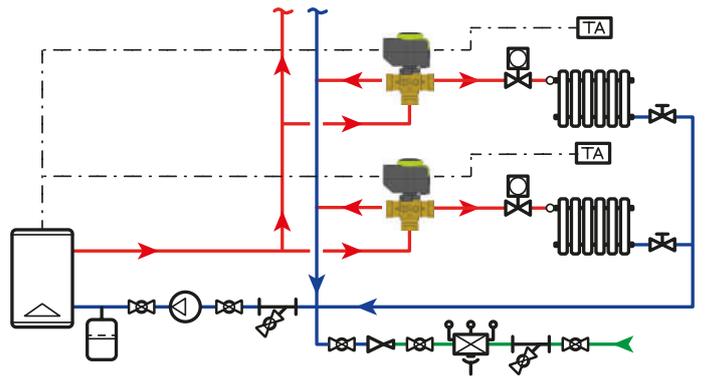
Code	Size			€
P93 015 000	G 1/2 M - G 3/4 RN	20	80	-
P93 020 000	G 3/4 M - G 1 RN	16	64	-

3-WAY ZONE AND DIVERTING VALVES WITH AUTOMATIC RETURN

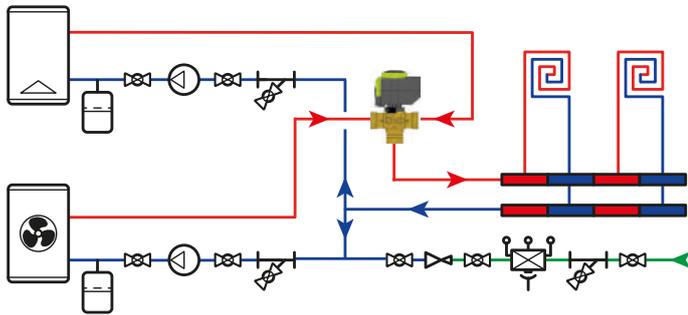
Use of ports for the 3-way valve



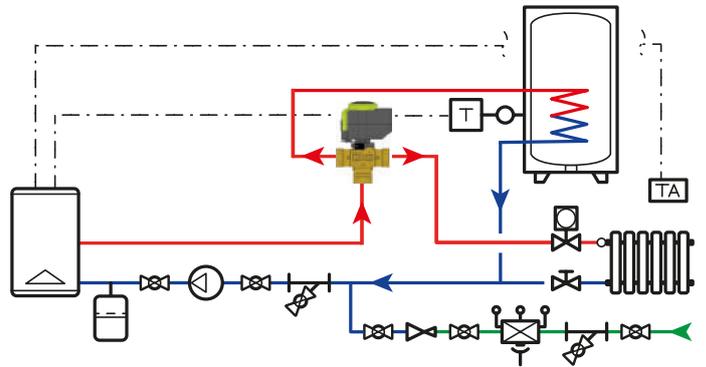
V83: use as zone valve



V83: use as diverting valve, 2 inlets and 1 outlet



V83: use as diverting valve, 1 inlet and 2 outlets



### P94.L1

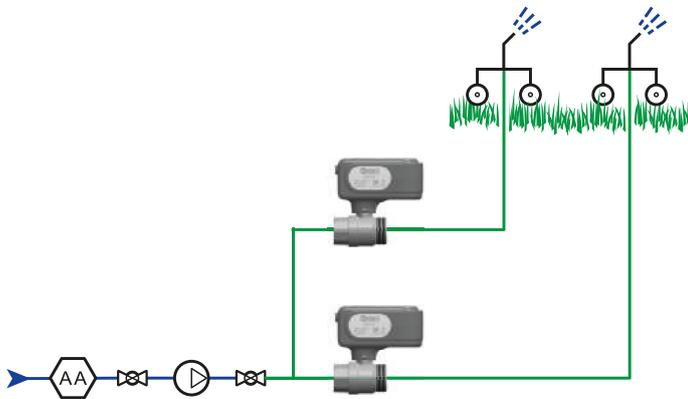
2-way ball zone valve MF fitted for M02 actuator - chrome plated - with fitting (tailpiece and nut)



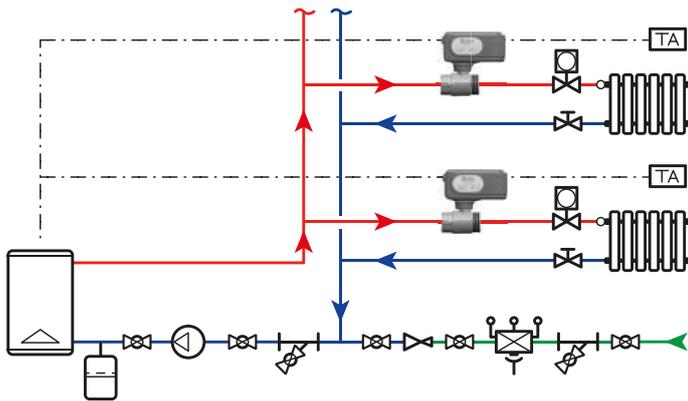
Max differential pressure: **16 bar**  
 Max working temperature: **95 °C**  
 Max working pressure: **16 bar**

Code	Size			€
P94 015 C00 L1 <b>TBS</b>	G 1/2 M - G 1/2 F - DN 15	10	40	-
P94 020 C00 L1 <b>TBS</b>	G 3/4 M - G 3/4 F - DN 20	5	40	-
P94 025 C00 L1 <b>TBS</b>	G 1 M - G 1 F - DN 25	5	30	-
P94 032 C00 L1 <b>TBS</b>	G 1 1/4 M - G 1 1/4 F - DN 32	5	10	-

#### Use of P94 as shut-off valves in irrigation systems



#### Use of P94 as zone valves



### M02

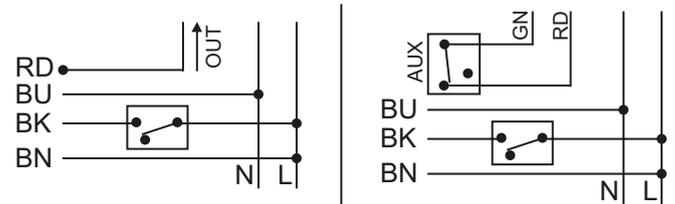
Actuator for 2-way ball zone valves. 2 points, on/off regulation. Rotation angle 90°. Output potential contact (4 pole version) or auxiliary microswitch (5 pole version). Complete with blocking screw, 1 m integrated cable



Torque: **10 N·m**  
 Protection class: **IP 44**  
 Frequency: **50 Hz**

Code	V	Running time [s]	Nr. poles	Cable [m]			€
M02 010 1BC A	230	40	4	0,84	1	10	-
M02 010 2BC A	24	40	4	0,84	1	10	-
M02 010 1CC A <b>TBS</b>	230	40	5	0,79	1	10	-
M02 010 2CC A	24	40	5	0,79	1	10	-

#### Wiring diagram M02, 2 points-4 poles and 2 points-5 poles with aux. microswitch



### P93.N

Fitting with running nut and flat gasket - nickel plated

Max working temperature: **100 °C**  
 Max working pressure: **25 bar**



Code	Size			€
P93 015 N00	G 1/2 M - G 3/4 RN	20	80	-
P93 020 N00	G 3/4 M - G 1 RN	16	64	-
P93 025 N00	G 1 M - G 1 1/4 RN	8	64	-
P93 032 N00	G 1 1/4 M - G 1 1/2 RN	4	32	-

AIR VENTS AND  
DEAERATORS

B6



## Y47L

Automatic air vent. With manual pin for functionality check.

Max working temperature: **95 °C**

Max working pressure: **10 bar**



Code	Size			€
Y47 010 000 L	G 3/8 M	10	100	-
Y47 015 000 L	G 1/2 M	10	100	-
Y47 020 000 L	G 3/4 M	10	100	-
Y47 025 000 L	G 1 M	10	100	-

## Y47

Automatic air vent (compact version)

Max working temperature: **95 °C**

Max working pressure: **10 bar**



Code	Size			€
Y47 010 000	G 3/8 M	10	100	-
Y47 015 000	G 1/2 M	10	100	-

## Y47.N

Automatic air vent (compact version) - nickel plated

Max working temperature: **95 °C**

Max working pressure: **10 bar**



Code	Size			€
Y47 015 N00	G 1/2 M	10	100	-

## Y70

Automatic shut-off valve for air vent replacement

Max working temperature: **95 °C**

Max working pressure: **10 bar**



Code	Size			€
Y70 010 000	G 3/8 M - G 3/8 F	20	400	-
Y70 015 000	G 1/2 M - G 1/2 F	20	400	-

## P57L

Automatic air vent with side connection. With manual pin for functionality check.

Max working temperature: **95 °C**

Max working pressure: **10 bar**



Code	Size			€
P57 010 000 L	G 3/8 M	10	100	-
P57 015 000 L	G 1/2 M	10	100	-

## P57

Automatic air vent with side connection (compact version)

Max working temperature: **95 °C**

Max working pressure: **10 bar**



Code	Size			€
P57 010 000	G 3/8 M	10	100	-
P57 015 000	G 1/2 M	10	100	-

## P56

Automatic air vent with side vent

Max working temperature: **95 °C**

Max working pressure: **10 bar**



Code	Size			€
P56 010 000	G 3/8 M	10	100	-
P56 015 000	G 1/2 M	10	100	-



## P58

Automatic air vent for heating emitters and radiators - nickel plated. With manual pin for functionality check.

Max working temperature: **95 °C**

Max working pressure: **10 bar**



Code	Size			€
P58 025 N00 D	G 1 M - right	10	100	-
P58 025 N00 S	G 1 M - left	10	100	-

## P83

Manual air vent with adjustable drain position - nickel plated

Max working temperature: **95 °C**

Max working pressure: **6 bar**



Code	Size			€
P83 015 N00	G 1/2 M	2	-	-

## 05B

Manual air vent with PTFE seal - nickel plated

Max working temperature: **95 °C**

Max working pressure: **6 bar**

Fully open length: **32 mm**

Fully closed length: **28 mm**



Code	Size			€
05B 008 N03	G 1/4 M	10	200	-
05B 010 N03	G 3/8 M	10	200	-

## P60

Manual air vent with PTFE seal - nickel plated

Max working temperature: **95 °C**

Max working pressure: **6 bar**

Fully open length: **28 mm**

Fully closed length: **25 mm**



Code	Size			€
P60 008 N00	G 1/4 M	10	200	-
P60 010 N00	G 3/8 M	10	200	-
P60 015 N00	G 1/2 M	10	200	-

## P71

Vertical manual deaerator

Max working temperature: **140 °C**

Max working pressure: **10 bar**



Code	Size			€
P71 020 000	G 1 M - G 3/4 F	1	28	-
P71 020 000 M	G 1 M - G 3/4 M	1	28	-
P71 022 000	G 1 M - 22 mm	1	28	-



NUMBER OF PIECES IN BOX



NUMBER OF PIECES IN CARTON



ARTICLE THE BEST SELLER

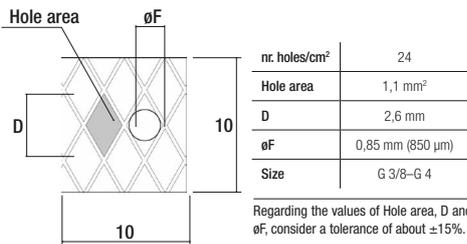


NEW ARTICLE

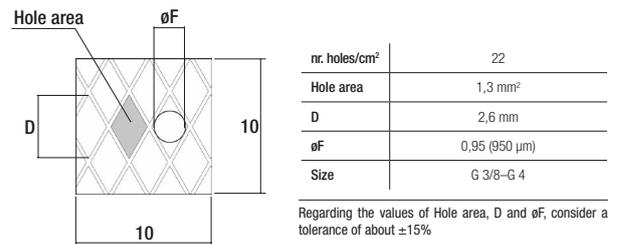


Code	Size	Plastic obturator	Metal obturator	NBR gasket	VITON gasket	Reinforced body
005	G 1/4-G 4					
020	G 3/8-G 2					
006	G 3/8-G 1 1/4					
007	G 3/8-G 1 1/4					
008	G 3/8-G 1 1/4					
005K	G 1/4-G 4					
020K	G 3/8-G 2					
005KV	G 1/4-G 4					
020KV	G 3/8-G 2					
006KV	G 3/8-G 1 1/4					
007KV	G 3/8-G 1 1/4					
008KV	G 3/8-G 1 1/4					

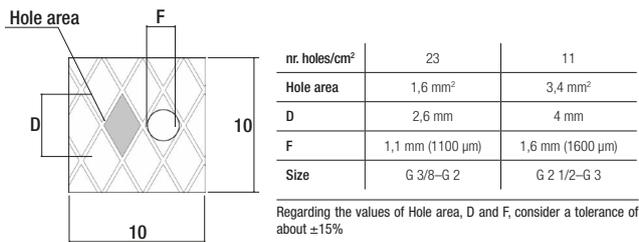
### Mesh TYPE A



### Mesh TYPE B



### Mesh TYPE C



# CHECK VALVES AND FOOT VALVES

# B7



### 005

Universal check valve - FF - acetal copolymer obturator - NBR gasket

Max working temperature: **95 °C**  
In compliance with D.M. 174



Code	Size	P [bar]			€
005 008 000	G 1/4 F	16	30	240	-
005 010 000	G 3/8 F	16	30	240	-
005 015 000	G 1/2 F	16	30	240	-
005 020 000	G 3/4 F	16	18	144	-
005 025 000	G 1 F	16	14	84	-
005 032 000	G 1 1/4 F	10	12	72	-
005 040 000	G 1 1/2 F	10	10	40	-
005 050 000	G 2 F	10	6	36	-
005 065 000	G 2 1/2 F	8	-	15	-
005 080 000	G 3 F	8	-	12	-
005 100 000	G 4 F	8	-	5	-

### 005KV

Universal check valve - FF - brass obturator - viton gasket

Max working temperature: **150 °C**



Code	Size	P [bar]			€
005 008 000 KV	G 1/4 F	35	30	240	-
005 010 000 KV	G 3/8 F	35	30	240	-
005 015 000 KV	G 1/2 F	35	30	240	-
005 020 000 KV	G 3/4 F	35	18	144	-
005 025 000 KV	G 1 F	35	14	84	-
005 032 000 KV	G 1 1/4 F	25	12	72	-
005 040 000 KV	G 1 1/2 F	25	10	40	-
005 050 000 KV	G 2 F	25	6	36	-
005 065 000 KV	G 2 1/2 F	12	-	15	-
005 080 000 KV	G 3 F	12	-	12	-
005 100 000 KV	G 4 F	12	-	5	-

### 005K

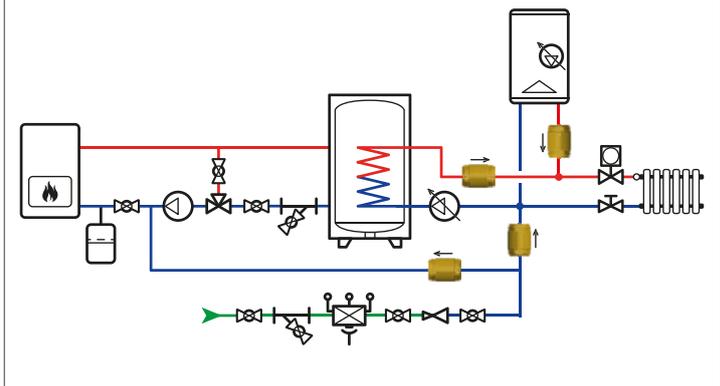
Universal check valve - FF - brass obturator - NBR gasket

Max working temperature: **95 °C**



Code	Size	P [bar]			€
005 008 000 K	G 1/4 F	35	30	240	-
005 010 000 K	G 3/8 F	35	30	240	-
005 015 000 K	G 1/2 F	35	30	240	-
005 020 000 K	G 3/4 F	35	18	144	-
005 025 000 K	G 1 F	35	14	84	-
005 032 000 K	G 1 1/4 F	25	12	72	-
005 040 000 K	G 1 1/2 F	25	10	40	-
005 050 000 K	G 2 F	25	6	36	-
005 065 000 K	G 2 1/2 F	12	-	15	-
005 080 000 K	G 3 F	12	-	12	-
005 100 000 K	G 4 F	12	-	5	-

#### Use of check valves in closed circuits



## 020

Universal check valve - FF - acetal copolymer obturator - NBR gasket - suitable for high pressure application

Max working temperature: **95 °C**  
In compliance with D.M. 174



Code	Size	P [bar]			€
020 010 000	G 3/8 F	25	24	192	-
020 015 000	G 1/2 F	25	20	160	-
020 020 000	G 3/4 F	25	12	96	-
020 025 000	G 1 F	25	8	64	-
020 032 000	G 1 1/4 F	18	8	48	-
020 040 000	G 1 1/2 F	18	6	36	-
020 050 000	G 2 F	18	5	20	-
005 065 000	G 2 1/2 F	8	-	15	-
005 080 000	G 3 F	8	-	12	-
005 100 000	G 4 F	8	-	5	-



## 020KV

Universal check valve - FF - brass obturator - viton gasket - suitable for high pressure application

Max working temperature: **150 °C**

Code	Size	P [bar]			€
020 010 000 KV	G 3/8 F	50	24	192	-
020 015 000 KV	G 1/2 F	50	20	160	-
020 020 000 KV	G 3/4 F	50	12	96	-
020 025 000 KV	G 1 F	50	8	64	-
020 032 000 KV	G 1 1/4 F	35	8	48	-
020 040 000 KV	G 1 1/2 F	35	6	36	-
020 050 000 KV	G 2 F	35	5	20	-
005 065 000 KV	G 2 1/2 F	12	-	15	-
005 080 000 KV	G 3 F	12	-	12	-
005 100 000 KV	G 4 F	12	-	5	-



## 020K

Universal check valve - FF - brass obturator - NBR gasket - suitable for high pressure application

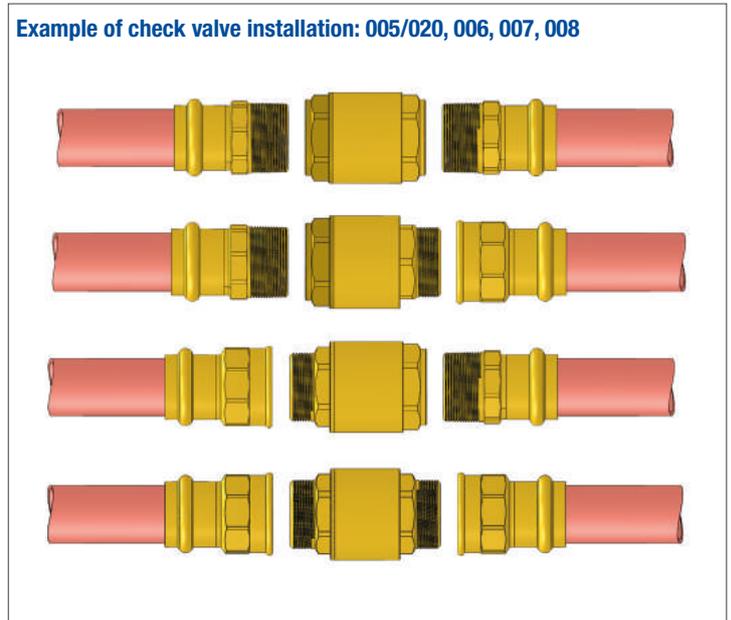
Max working temperature: **95 °C**



Code	Size	P [bar]			€
020 010 000 K	G 3/8 F	50	24	192	-
020 015 000 K	G 1/2 F	50	20	160	-
020 020 000 K	G 3/4 F	50	12	96	-
020 025 000 K	G 1 F	50	8	64	-
020 032 000 K	G 1 1/4 F	35	8	48	-
020 040 000 K	G 1 1/2 F	35	6	36	-
020 050 000 K	G 2 F	35	5	20	-
005 065 000 K	G 2 1/2 F	12	-	15	-
005 080 000 K	G 3 F	12	-	12	-
005 100 000 K	G 4 F	12	-	5	-



Example of check valve installation: 005/020, 006, 007, 008



### 006

Universal check valve - FM - acetal copolymer obturator - NBR gasket

Max working temperature: **95 °C**  
In compliance with D.M. 174



Code	Size	P [bar]			€
006 010 000	G 3/8 F - G 3/8 M	16	30	240	-
006 015 000	G 1/2 F - G 1/2 M	16	25	200	-
006 020 000	G 3/4 F - G 3/4 M	16	16	128	-
006 025 000	G 1 F - G 1 M	16	10	80	-
006 032 000	G 1 1/4 F - G 1 1/4 M	10	6	48	-

### 007

Universal check valve - MF - acetal copolymer obturator - NBR gasket

Max working temperature: **95 °C**  
In compliance with D.M. 174



Code	Size	P [bar]			€
007 010 000	G 3/8 M - G 3/8 F	16	30	240	-
007 015 000	G 1/2 M - G 1/2 F	16	20	160	-
007 020 000	G 3/4 M - G 3/4 F	16	16	128	-
007 025 000	G 1 M - G 1 F	16	10	80	-
007 032 000	G 1 1/4 M - G 1 1/4 F	10	6	48	-

### 006KV

Universal check valve - FM - brass obturator - viton gasket

Max working temperature: **150 °C**



Code	Size	P [bar]			€
006 010 000 KV	G 3/8 F - G 3/8 M	35	30	240	-
006 015 000 KV	G 1/2 F - G 1/2 M	35	25	200	-
006 020 000 KV	G 3/4 F - G 3/4 M	35	16	128	-
006 025 000 KV	G 1 F - G 1 M	35	10	80	-
006 032 000 KV	G 1 1/4 F - G 1 1/4 M	25	6	48	-

### 007KV

Universal check valve - MF - brass obturator - viton gasket

Max working temperature: **150 °C**



Code	Size	P [bar]			€
007 010 000 KV	G 3/8 M - G 3/8 F	35	30	240	-
007 015 000 KV	G 1/2 M - G 1/2 F	35	20	160	-
007 020 000 KV	G 3/4 M - G 3/4 F	35	16	128	-
007 025 000 KV	G 1 M - G 1 F	35	10	80	-
007 032 000 KV	G 1 1/4 M - G 1 1/4 F	25	6	48	-

## 008

Universal check valve - MM - acetal copolymer obturator - NBR gasket

Max working temperature: **95 °C**  
In compliance with D.M. 174



Code	Size	P [bar]			€
008 010 000	G 3/8 M	16	30	240	-
008 015 000	G 1/2 M	16	25	200	-
008 020 000	G 3/4 M	16	16	128	-
008 025 000	G 1 M	16	10	80	-
008 032 000	G 1 1/4 M	10	8	48	-

## 008KV

Universal check valve - MM - brass obturator - viton gasket

Max working temperature: **150 °C**



Code	Size	P [bar]			€
008 010 000 KV	G 3/8 M	35	30	240	-
008 015 000 KV	G 1/2 M	35	25	200	-
008 020 000 KV	G 3/4 M	35	16	128	-
008 025 000 KV	G 1 M	35	10	80	-
008 032 000 KV	G 1 1/4 M	25	8	48	-

## 135

Flanged check valve PN 16

Max working temperature: **95 °C**  
Max working pressure: **16 bar**  
Material: **cast iron EN G.JL 250**



Code	Size		€
135 050 000	DN 50	2	-
135 065 000	DN 65	2	-
135 080 000	DN 80	1	-
135 100 000	DN 100	1	-
135 125 000	DN 125	1	-
135 150 000	DN 150	1	-

### 010

Foot valve with integrated stainless steel filter

Max working temperature: **95 °C**

Mesh type: **see chapter beginning**



Code	Size	Mesh type	P [bar]			€
010 015 000	G 1/2 F	A	10	15	180	-
010 020 000	G 3/4 F	A	10	28	168	-
010 025 000	G 1 F	A	10	16	96	-
010 032 000	G 1 1/4 F	A	8	7	42	-
010 040 000	G 1 1/2 F	A	8	6	36	-
010 050 000	G 2 F	A	8	3	18	-
010 065 000	G 2 1/2 F	A	6	-	10	-
010 080 000	G 3 F	A	6	-	6	-
010 100 000	G 4 F	A	6	-	4	-

### 029

Stainless steel filter with nylon connection

Max working temperature: **95 °C**

Mesh type: **see chapter beginning**



Code	Size	Mesh type			€
029 010 000	G 3/8 M	B	50	400	-
029 015 000	G 1/2 M	B	35	280	-
029 020 000	G 3/4 M	B	20	160	-
029 025 000	G 1 M	B	25	100	-
029 032 000	G 1 1/4 M	B	20	80	-
029 040 000	G 1 1/2 M	B	10	40	-
029 050 000	G 2 M	B	6	24	-
029 065 000	G 2 1/2 M	B	-	20	-
029 080 000	G 3 M	B	-	10	-
029 100 000	G 4 M	B	-	6	-

### 014

Foot valve with interchangeable stainless steel filter - nylon filter connection (code 005 + code 029)

Max working temperature: **95 °C**

Mesh type: **see chapter beginning**



Code	Size	Mesh type	P [bar]			€
014 010 000	G 3/8 F	B	16	25	300	-
014 015 000	G 1/2 F	B	16	20	240	-
014 020 000	G 3/4 F	B	16	15	135	-
014 025 000	G 1 F	B	16	14	84	-
014 032 000	G 1 1/4 F	B	10	7	42	-
014 040 000	G 1 1/2 F	B	10	5	30	-
014 050 000	G 2 F	B	10	3	18	-
014 065 000	G 2 1/2 F	B	8	-	9	-
014 080 000	G 3 F	B	8	-	6	-
014 100 000	G 4 F	B	8	-	4	-

### 015

Foot valve with interchangeable stainless steel filter - brass filter connection (code 005 + code 030)

Max working temperature: **95 °C**

Mesh type: **see chapter beginning**



Code	Size	Mesh type	P [bar]			€
015 010 000	G 3/8 F	A	16	25	200	-
015 015 000	G 1/2 F	A	16	20	160	-
015 020 000	G 3/4 F	A	16	15	135	-
015 025 000	G 1 F	A	16	14	84	-
015 032 000	G 1 1/4 F	A	10	6	36	-
015 040 000	G 1 1/2 F	A	10	5	30	-
015 050 000	G 2 F	A	10	3	18	-
015 065 000	G 2 1/2 F	A	8	-	9	-
015 080 000	G 3 F	A	8	-	6	-
015 100 000	G 4 F	A	8	-	4	-



## 024

Foot valve for high pressure with interchangeable stainless steel filter - nylon filter connection (code 020 + code 029)

Max working temperature: 95 °C

Mesh type: *see chapter beginning*



Code	Size	Mesh type	P [bar]			€
024 010 000	G 3/8 F	B	25	15	120	-
024 015 000	G 1/2 F	B	25	15	120	-
024 020 000	G 3/4 F	B	25	14	84	-
024 025 000	G 1 F	B	25	6	54	-
024 032 000	G 1 1/4 F	B	18	5	30	-
024 040 000	G 1 1/2 F	B	18	4	24	-
024 050 000	G 2 F	B	18	3	18	-

## 025

Foot valve for high pressure with interchangeable stainless steel filter - brass filter connection (code 020 + code 030)

Max working temperature: 95 °C

Mesh type: *see chapter beginning*



Code	Size	Mesh type	P [bar]			€
025 010 000	G 3/8 F	A	25	24	192	-
025 015 000	G 1/2 F	A	25	12	144	-
025 020 000	G 3/4 F	A	25	14	84	-
025 025 000	G 1 F	A	25	8	48	-
025 032 000	G 1 1/4 F	A	18	5	30	-
025 040 000	G 1 1/2 F	A	18	4	24	-
025 050 000	G 2 F	A	18	3	12	-

## V39

Foot valve for high pressure with brass obturator, interchangeable stainless steel filter - nylon filter connection (code 020K + code 029). For sizes G 2 1/2–G4: code 005K + code 029).

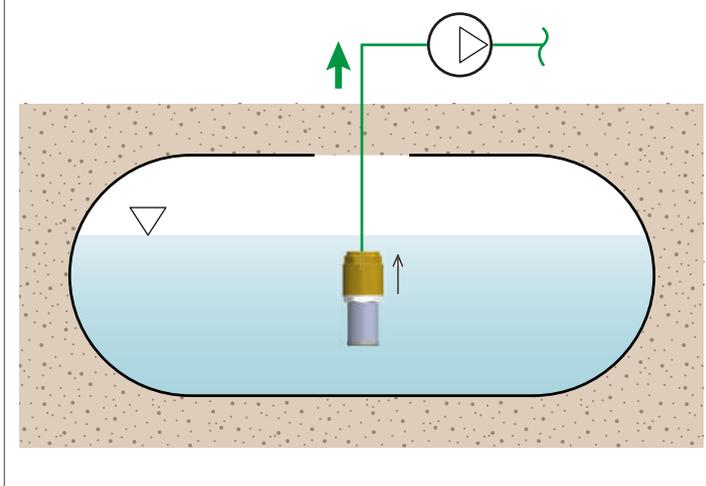
Max working temperature: 95 °C

Mesh type: *see chapter beginning*



Code	Size	Mesh type	P [bar]			€
V39 010 000	G 3/8 F	B	50	15	120	-
V39 015 000	G 1/2 F	B	50	14	42	-
V39 020 000	G 3/4 F	B	50	14	84	-
V39 025 000	G 1 F	B	50	6	36	-
V39 032 000	G 1 1/4 F	B	35	5	20	-
V39 040 000	G 1 1/2 F	B	35	4	16	-
V39 050 000	G 2 F	B	35	3	12	-
V39 065 000	G 2 1/2 F	B	12	-	9	-
V39 080 000	G 3 F	B	12	-	6	-
V39 100 000	G 4 F	B	12	-	4	-

## Use of foot valves



NUMBER OF PIECES IN BOX



NUMBER OF PIECES IN CARTON



ARTICLE THE BEST SELLER



NEW ARTICLE



### 045

Tubular foot valve

Max working temperature: **90 °C**



Code	Size	P [bar]			€
045 020 000	G 3/4 F	10	12	96	-
045 025 000	G 1 F	10	12	72	-
045 032 000	G 1 1/4 F	8	6	36	-
045 040 000	G 1 1/2 F	8	5	30	-
045 050 000	G 2 F	8	4	24	-
045 065 000	G 2 1/2 F	8	-	12	-
045 080 000	G 3 F	6	-	5	-
045 100 000	G 4 F	6	-	3	-

### 153

Foot valve for viscous fluids - metal seal with double ball

Max working temperature: **100 °C**

Max working pressure: **6 bar**



Code	Size			€
153 010 000	G 3/8 F	35	280	-
153 015 000	G 1/2 F	25	200	-

### 040

Foot valve with brass filter with horizontal edges (6" version with vertical edges)

Max working temperature: **95 °C**

Code 042150000 with vertical edges



Code	Size	P [bar]			€
040 020 000	G 3/4 F	10	12	96	-
040 025 000	G 1 F	10	12	72	-
040 032 000	G 1 1/4 F	8	5	45	-
040 040 000	G 1 1/2 F	8	6	36	-
040 050 000	G 2 F	8	4	24	-
040 065 000	G 2 1/2 F	6	-	12	-
040 080 000	G 3 F	6	-	10	-
040 100 000	G 4 F	6	-	5	-

### 030

Stainless steel filter with brass connection

Max working temperature: **140 °C**

Mesh type: **see chapter beginning**



Code	Size	Mesh type			€
030 010 000	G 3/8 M	A	50	400	-
030 015 000	G 1/2 M	A	35	280	-
030 020 000	G 3/4 M	A	20	160	-
030 025 000	G 1 M	A	25	100	-
030 032 000	G 1 1/4 M	A	20	80	-
030 040 000	G 1 1/2 M	A	10	40	-
030 050 000	G 2 M	A	6	24	-
030 065 000	G 2 1/2 M	A	-	20	-
030 080 000	G 3 M	A	-	10	-
030 100 000	G 4 M	A	-	6	-

### 028

Stainless steel filter with stainless steel connection, both in AISI 316

Max working temperature: **140 °C**

Mesh type: **see chapter beginning**



Code	Size	Mesh type			€
028 010 000	G 3/8 M	C	50	400	-
028 015 000	G 1/2 M	C	35	280	-
028 020 000	G 3/4 M	C	20	160	-
028 025 000	G 1 M	C	12	96	-
028 032 000	G 1 1/4 M	C	9	72	-
028 040 000	G 1 1/2 M	C	10	40	-
028 050 000	G 2 M	C	6	24	-
028 065 000	G 2 1/2 M	C	4	16	-
028 080 000	G 3 M	C	-	11	-
028 100 000	G 4 M	C	-	6	-

## 060

Swing check valve FF - rubber seal

Max working temperature: **95 °C**  
Sizes 5" and 6" in bronze



Code	Size	P [bar]			€
060 010 000	G 3/8 F	16	15	120	-
060 015 000	G 1/2 F	16	20	160	-
060 020 000	G 3/4 F	16	10	120	-
060 025 000	G 1 F	16	10	60	-
060 032 000	G 1 1/4 F	16	10	40	-
060 040 000	G 1 1/2 F	16	6	36	-
060 050 000	G 2 F	16	4	24	-
060 065 000	G 2 1/2 F	16	-	12	-
060 080 000	G 3 F	16	-	10	-
060 100 000	G 4 F	10	-	4	-
060 125 000	G 5 F	10	-	2	-
060 150 000	G 6 F	10	-	1	-

## 080

Swing check valve FF - metal seal

Max working temperature: **95 °C**  
Sizes 5" and 6" in bronze



Code	Size	P [bar]			€
080 010 000	G 3/8 F	16	15	120	-
080 015 000	G 1/2 F	16	20	160	-
080 020 000	G 3/4 F	16	10	120	-
080 025 000	G 1 F	16	10	60	-
080 032 000	G 1 1/4 F	16	10	40	-
080 040 000	G 1 1/2 F	16	6	36	-
080 050 000	G 2 F	16	4	24	-
080 065 000	G 2 1/2 F	16	-	12	-
080 080 000	G 3 F	16	-	10	-
080 100 000	G 4 F	10	-	4	-
080 125 000	G 5 F	10	-	2	-
080 150 000	G 6 F	10	-	1	-

## 125

Wafer inter-flanged swing check valve PN 16

Max working temperature: **95 °C**  
Max working pressure: **16 bar**  
Material: **ASTM A351 gr CF8M**



Code	Size		€
125 050 000	DN 50	1	-
125 065 000	DN 65	1	-
125 080 000	DN 80	1	-
125 100 000	DN 100	1	-
125 125 000	DN 125	1	-
125 150 000	DN 150	1	-
125 200 000	DN 200	1	-
125 250 000	DN 250	1	-

## 130

Y check valve with metal obturator - viton seal

Max working temperature: **150 °C**



Code	Size	P [bar]			€
130 015 000	G 1/2 F	35	20	160	-
130 020 000	G 3/4 F	35	14	84	-
130 025 000	G 1 F	35	10	60	-
130 032 000	G 1 1/4 F	25	5	30	-

## Y77

Compact check valve with running nut - flat gasket

Max working temperature: **110 °C**

Max working pressure: **16 bar**



Code	Size			€
Y77 A20 000	G 3/4 RN - G 3/4 M	20	80	-
Y77 A25 000	G 1 RN - G 1 M	20	80	-

## P34

Compact check valve - MF

Max working temperature: **85 °C**

Max working pressure: **16 bar**



Code	Size			€
P34 015 000	G 1/2 M - G 1/2 F	50	400	-
P34 020 000	G 3/4 M - G 3/4 F	40	160	-
P34 025 000	G 1 M - G 1 F	15	120	-

## P33

Compact check valve - FM

Max working temperature: **85 °C**

Max working pressure: **16 bar**



Code	Size			€
P33 015 000	G 1/2 F - G 1/2 M	50	400	-
P33 020 000	G 3/4 F - G 3/4 M	40	160	-
P33 025 000	G 1 F - G 1 M	15	120	-

## 179

Compact check valve - MF - with knurling - chrome plated

Max working temperature: **95 °C**

Max working pressure: **16 bar**



Code	Size			€
179 015 C00	G 1/2 M - G 1/2 F	-	300	-

## 178

Compact check valve - FM - with knurling - chrome plated

Max working temperature: **95 °C**

Max working pressure: **16 bar**



Code	Size			€
178 015 C00	G 1/2 F - G 1/2 M	-	300	-
178 020 C00	G 3/4 F - G 3/4 M	-	200	-

## 036

Check valve with pump connection and side connection - nickel plated

Max working temperature: **95 °C**

Max working pressure: **16 bar**



Code	Size			€
036 025 N00	G 1 1/4 RN - G 1 M - G 1/2 F	-	60	-
036 032 N00 W	G 1 1/2 RN - R 1 1/4 - G 1/2 F	-	40	-
036 040 N00 W	G 2 RN - R 1 1/2 - G 1/2 F	-	30	-

## 192

Check valve with pump connection and check valve override device

Max working temperature: **95 °C**

Max working pressure: **16 bar**



Code	Size			€
192 020 000	G 1 1/2 RN - G 3/4 M	-	80	-
192 020 000 W	G 1 1/2 RN - R 3/4	-	80	-
192 025 000	G 1 1/2 RN - G 1 M	-	80	-
192 025 000 W	G 1 1/2 RN - R 1	-	80	-

## 172

Double check valve with intermediate pressure test port connection and two compression ends - DZR brass

Max working temperature: **95 °C**

Max working pressure: **16 bar**

WRAS certification



Code	Size			€
172 015 000	15 mm	-	150	-
172 022 000	22 mm	-	100	-

## 173

Double check valve with intermediate pressure test port connection and one compression end - DZR brass - nickel plated

Max working temperature: **95 °C**

Max working pressure: **16 bar**



Code	Size			€
173 015 N00	15 mm	25	200	-

## 035

Angled check valve. Convertible into straight valve by moving the plug.

Max working temperature: **60 °C**

Max working pressure: **16 bar**



Code	Size			€
035 025 000	G 1 F	10	40	-
035 032 000	G 1 1/4 F	5	20	-
035 040 000	G 1 1/2 F	2	24	-

### 055

"PARIS" check valve FM with double pressure test port connection and running nut - controllable

Max working temperature: **95 °C**  
Max working pressure: **16 bar**



Code	Size			€
055 015 000	G 3/4 RN - G 3/4 M	-	100	-

### 195

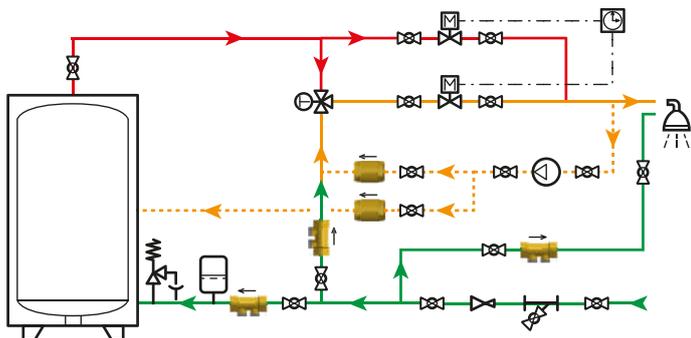
"STAR" check valve FF with double pressure test port connection - controllable

Max working temperature: **95 °C**  
Max working pressure: **16 bar**



Code	Size			€
195 020 000	G 3/4 F	-	120	-
195 025 000	G 1 F	-	70	-

**Difference of use and application point: 055 or 195 at the potable water system inlet, 005 on the recirculation circuit**



### 191

Check valve with running nut and check valve override device

Max working temperature: **95 °C**  
Max working pressure: **16 bar**



Code	Size			€
191 020 000	G 1 RN - G 3/4 M	10	40	-
191 025 000	G 1 RN - G 1 M	10	40	-

### 191.2

Check valve with running nut and check valve override device - check valve insert

Max working temperature: **95 °C**  
Max working pressure: **16 bar**



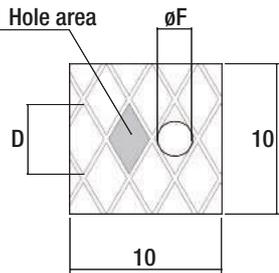
Code	Size			€
191 025 000 2	G 1 RN - G 1 M	10	40	-

# FILTERS AND DIRT SEPARATORS

# B8

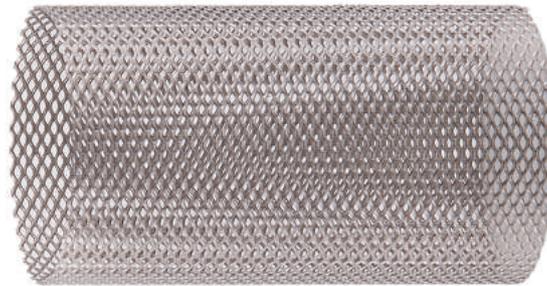


## Type A: STANDARD CARTRIDGES

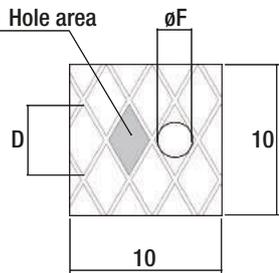


		ON REQUEST	
nr. holes/cm <sup>2</sup>	70	270	24
Hole area	0,25 mm <sup>2</sup>	0,025 mm <sup>2</sup>	1,0 mm <sup>2</sup>
D	1,0 mm	0,5 mm	2,0 mm
øF	0,50 mm (500 µm)	0,3 mm (300 µm)	1,0 mm (1000 µm)
Size	G 1/2-G 4	G 1/2, G 3/4, G 1, G 1 1/2	G 1/2-G 2

Regarding the values of Hole area, D and øF, consider a tolerance of about ±15%



## Type B: STANDARD CARTRIDGES



nr. holes/cm <sup>2</sup>	65	70	50
Hole area	0,18 mm <sup>2</sup>	0,25 mm <sup>2</sup>	0,64 mm <sup>2</sup>
D	1,0 mm	1,0 mm	1,0 mm
øF	0,40 mm (400 µm)	0,50 mm (500 µm)	0,80 mm (800 µm)
Size	G 1/2-G 1	G 1 1/4-G 2	G 2 1/2-G 4

Regarding the values of Hole area, D and øF, consider a tolerance of about ±15%





# UNDER-BOILER FILTER AND DIRT SEPARATOR



## V72.P

New AVAILABLE 5/2021 **DR-3**

Under-boiler filter and magnetic dirt separator. Complete with upstream shut-off valve and fitting for boiler connection. Technopolymer body.

Working temperature range: 0-90 °C  
 Max working pressure: 3 bar  
 Mesh size: 0,8 mm

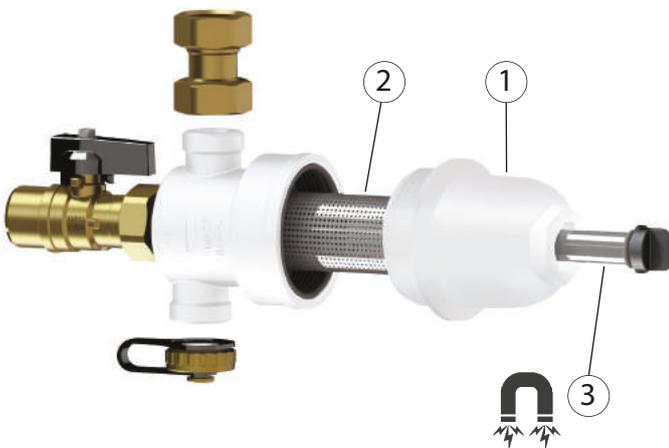


Code	Size	Kv			€
V72 P20 020 <b>NEW</b>	G 3/4 M - G 3/4 RN - G 3/4 M	5,3	1	6	-

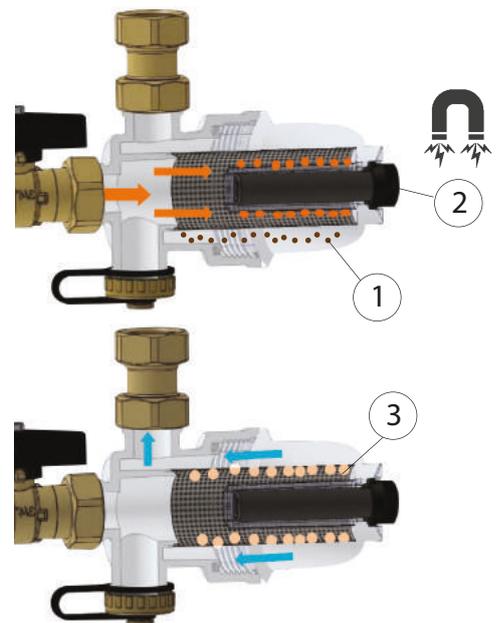
### Components of the under-boiler filter and magnetic dirt separator DR-3

### Working way

**DR-3**



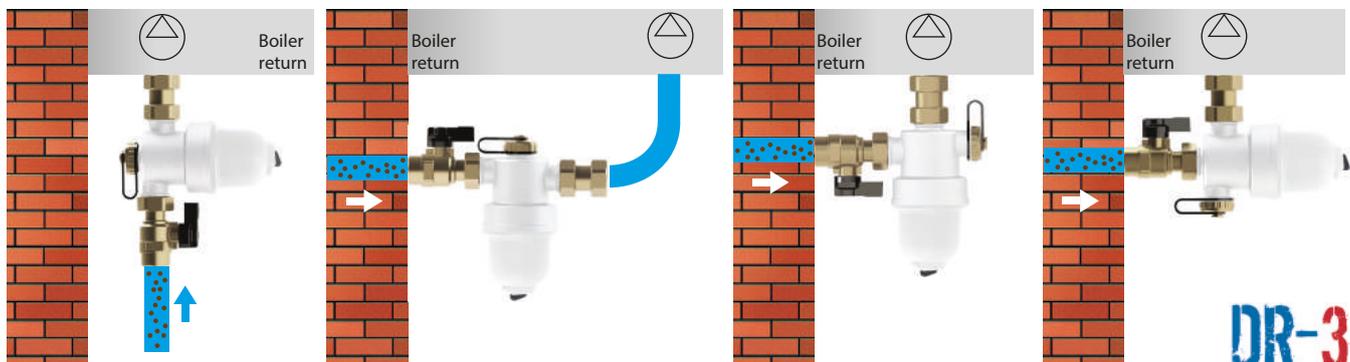
**DR-3**



Components of the under-boiler filter and magnetic dirt separator DR-3: (1) dirt separator, (2) filter, (3) magnet.

The fluid cleaning is performed through these actions:  
 (1) decantation in the dirt separator  
 (2) holding of the ferromagnetic particles by the magnet  
 (3) mechanical filtration through the filter mesh.

### Installation positions



	NUMBER OF PIECES IN BOX
	NUMBER OF PIECES IN CARTON
<b>TBS</b>	ARTICLE THE BEST SELLER
<b>NEW</b>	NEW ARTICLE



### V73.D

New  AVAILABLE 5/2021 **DR-4**

Filter and magnetic dirt separator. Technopolymer body, brass tee-fitting. Complete with cyclonic action filter, interchangeable cartridge and adjustable tee for horizontal, vertical and 45° installation.

Working temperature range: **0-90 °C**  
 Max working pressure: **3 bar**  
 Mesh size: **0,5+0,8 mm**

Code	Size	Kv			€
V73 D25 010 <b>NEW</b>	G 1 F	7	1	6	-



### V73.P

New  AVAILABLE 5/2021 **DR-4**

Filter and magnetic dirt separator with technopolymer body. Complete with cyclonic action filter, interchangeable cartridge, adjustable tee for horizontal, vertical and 45° installation, shut-off valves.

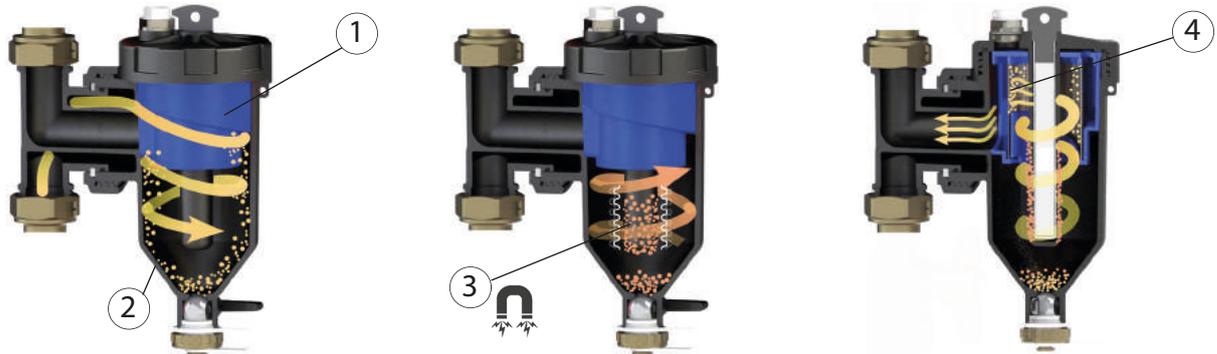
Working temperature range: **0-90 °C**  
 Max working pressure: **3 bar**  
 Mesh size: **0,5+0,8 mm**

Code	Size	Kv			€
V73 P25 020 <b>NEW</b>	G 1 F	6,4	1	6	-



#### Working way

**DR-4**



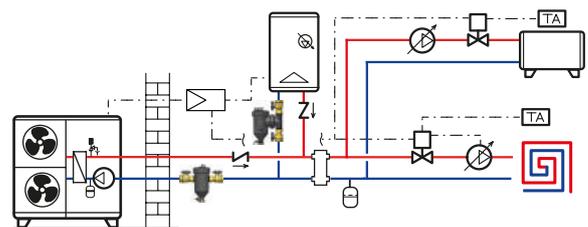
The fluid cleaning is performed through these actions:

- (1) action of the cyclonic filter
- (2) decantation in the dirt separator
- (3) holding of the ferromagnetic particles by the magnet
- (4) mechanical filtration through the filter mesh.

#### Installation positions



#### Installation in horizontal (with heat pump) and vertical (with boiler) position



## V71.B

**New** AVAILABLE 5/2021

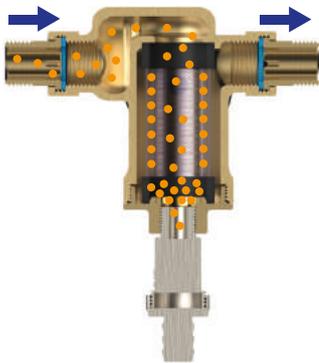
Self-cleaning filter for thermal and domestic hot water systems. Complete with G 1/4 F front and rear pressure test port. 4 in 1 threaded connections.

Max upstream pressure: **25 bar**  
 Max working temperature: **110 °C**  
 \*4 in 1 connections: (G 3/4 M+G 1/2 F)+ (G 3/4 RN+G 1/2 M)  
 In compliance with D.M. 174



Code	Size	Mesh size [mm]			€
V71 B15 000 03 <b>NEW</b>	G 1/2 M*	0,3	1	6	-
V71 B15 000 01 <b>NEW</b>	G 1/2 M*	0,1	1	6	-

### Working way

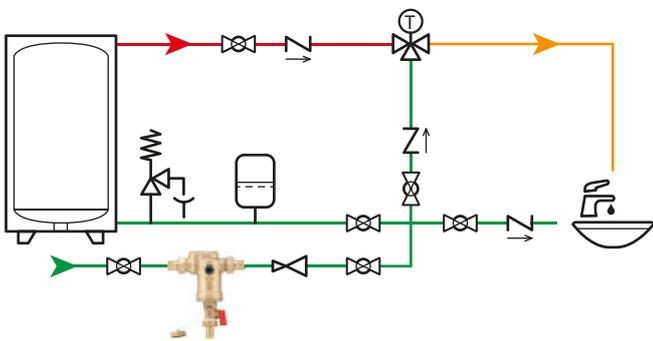


\*4 in 1 connections: 4 ways to connect the filter to the pipe



The particles, accumulating on the mesh and at the bottom of the body, can be removed by opening the discharge valve.

### Application at the entrance of the domestic water system



## V70

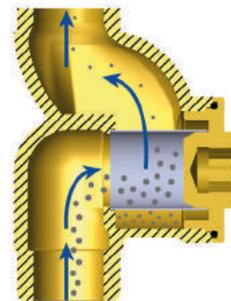
DZR brass compact T-filter - MM - stainless steel filtering cartridge

Max working temperature: **110 °C**  
 Max working pressure: **25 bar**  
 Mesh type: *see chapter beginning*



Code	Size	Mesh type	Mesh size [mm]	DN			€
V70 A20 000	G 3/4 M	A	0,5	20	20	40	-
V70 A20 000 01 <b>NEW</b>	G 3/4 M	A	0,1	20	20	40	-
V70 A20 000 03 <b>NEW</b>	G 3/4 M	A	0,3	20	20	40	-

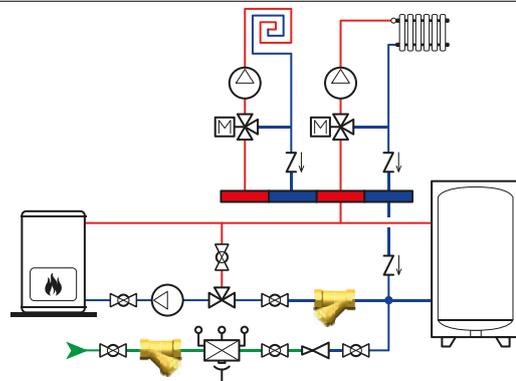
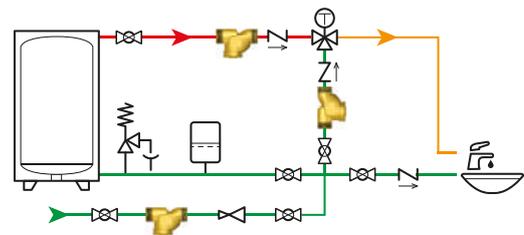
### Operating principle of V70 filter in vertical



#### Advantages of V70 filter:

- T-shape compact body
- suitable also for vertical pipe, preferably with upward flow direction: the body T-shape makes the particles accumulate between the mesh and the body itself, limiting their backflow.

### Use of V70 filter in DHW system - Use of filters in closed circuits



### 050

Brass Y-filter (3" and 4" versions in bronze) - FF - stainless steel filtering cartridge

Max working temperature: **95 °C**

Max working pressure: **16 bar**

Mesh type: **see chapter beginning**

For sizes 3" and 4" see code 049



Code	Size	Kv	Mesh type			€
050 008 000	G 1/4 F	1,6	A	20	80	-
050 010 000	G 3/8 F	3	A	25	200	-
050 015 000	G 1/2 F	4,5	A	20	160	-
050 020 000	G 3/4 F	7	A	14	84	-
050 025 000	G 1 F	7,8	A	10	60	-
050 032 000	G 1 1/4 F	15	A	5	30	-
050 040 000	G 1 1/2 F	21	A	4	24	-
050 050 000	G 2 F	34	A	2	12	-
050 065 000	G 2 1/2 F	64	A	-	8	-
049 080 000	G 3 F	81	B	-	5	-
049 100 000	G 4 F	102	B	-	2	-

### 049

Bronze Y-filter - FF - stainless steel filtering cartridge

Max working temperature: **95 °C**

Max working pressure: **16 bar**

Mesh type: **see chapter beginning**



Code	Size	Kv	Mesh type			€
049 010 000	G 3/8 F	1,4	B	10	80	-
049 015 000	G 1/2 F	3,3	B	10	80	-
049 020 000	G 3/4 F	5,6	B	15	60	-
049 025 000	G 1 F	7,9	B	10	40	-
049 032 000	G 1 1/4 F	12,9	B	5	30	-
049 040 000	G 1 1/2 F	15,8	B	4	24	-
049 050 000	G 2 F	19	B	2	12	-
049 065 000	G 2 1/2 F	55	B	-	8	-
049 080 000	G 3 F	81	B	-	5	-
049 100 000	G 4 F	102	B	-	2	-

### 050.2

Stainless steel spare filtering cartridges for code 050, P21, P22.

Mesh type: **see chapter beginning**



Code	Size	Mesh type			€
050 015 002	for filter G 1/4 F, G 3/8 F, G 1/2 F	A	-	-	-
050 020 002	for filter G 3/4 F	A	-	-	-
050 025 002	for filter G 1 F	A	-	-	-
050 032 002	for filter G 1 1/4 F	A	-	-	-
050 040 002	for filter G 1 1/2 F	A	-	-	-
050 050 002	for filter G 2 F	A	-	-	-
050 065 002	for filter G 2 1/2 F	A	-	-	-
050 080 002	for filter G 3 F	B	-	-	-
050 100 002	for filter G 4 F	B	-	-	-

### 049.1

Stainless steel spare filtering cartridges for code 049

Mesh type: **see chapter beginning**



Code	Size	Mesh type			€
049 015 001	for filter G 3/8 F, G 1/2 F	B	-	-	-
049 020 001	for filter G 3/4 F	B	-	-	-
049 025 001	for filter G 1 F	B	-	-	-
049 032 001	for filter G 1 1/4 F	B	-	-	-
049 040 001	for filter G 1 1/2 F	B	-	-	-
049 050 001	for filter G 2 F	B	-	-	-
049 065 001	for filter G 2 1/2 F	B	-	-	-
050 080 002	for filter G 3 F	B	-	-	-
050 100 002	for filter G 4 F	B	-	-	-

### 053A

DZR brass Y-filter - MM - stainless steel filtering cartridge

Max working temperature: **95 °C**

Max working pressure: **16 bar**

Mesh type: **see chapter beginning**



Code	Size	Mesh type			€
053 A20 000	G 3/4 M	A	20	80	-

## P21

Brass compact Y-filter - MM - stainless steel filtering cartridge. With flat seat for installation in box.

Max working temperature: **95 °C**

Max working pressure: **16 bar**

Mesh type: **see chapter beginning**



Code	Size	Kv	Mesh type			€
P21 015 000	G 1/2 M	2,75	A	20	160	-
P21 020 000	G 3/4 M	4,75	A	14	84	-
P21 025 000	G 1 M	7,3	A	10	60	-
P21 032 000	G 1 1/4 M	16	A	5	20	-

## P22

Brass compact Y-filter - MM - complete with threaded G 1/2 probe holder plug. With flat seat for installation in box.

Max working temperature: **95 °C**

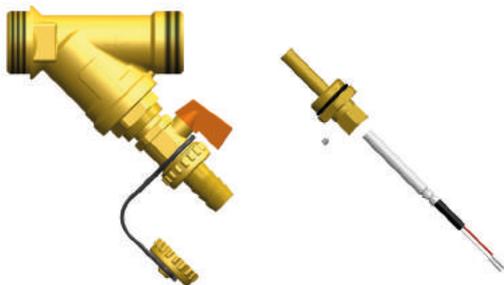
Max working pressure: **16 bar**

Mesh type: **see chapter beginning**



Code	Size	Kv	Mesh type			€
P22 015 000	G 1/2 M	2,75	A	20	160	-
P22 020 000	G 3/4 M	4,75	A	14	84	-
P22 025 000	G 1 M	7,3	A	10	60	-
P22 032 000	G 1 1/4 M	16	A	5	20	-

### Coupling of P22 filter to P32 cock or P28.14 pocket



## P28.14

Immersion probe pocket - seal on fitting

Max working temperature: **95 °C**

Max working pressure: **16 bar**

Probe diameter: **6 mm**

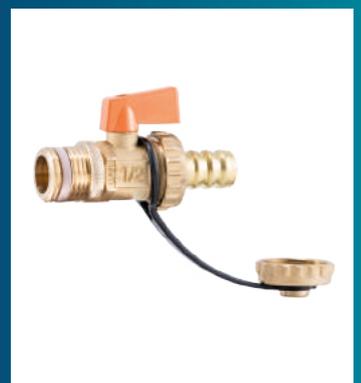
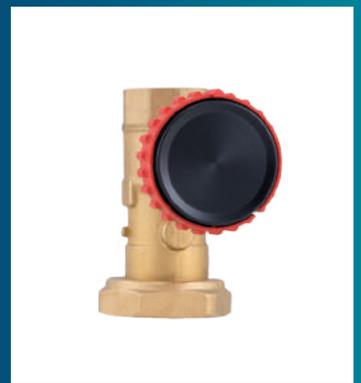


Code	Size			€
P28 015 000 14	G 1/2 M	10	50	-



**BALL SHUT-OFF  
VALVES  
AND COCKS**

**B9**



### 215-219

Boiler drain ball shut-off valve - male connection - nickel plated

Max working temperature: **95 °C**  
Max working pressure: **16 bar**



Code	Size			€
215 015 N00	G 1/2 M	-	100	-
219 020 N00	G 3/4 M	-	100	-

### 217-221

Boiler drain ball shut-off valve - female connection - nickel plated

Max working temperature: **95 °C**  
Max working pressure: **16 bar**



Code	Size			€
217 015 N00	G 1/2 F	-	100	-
221 020 N00	G 3/4 F	-	100	-

### P90

Ball shut-off valve with running nut and flat gasket - female connection

Max working temperature: **95 °C**  
Max working pressure: **10 bar**



Code	Size			€
P90 025 N00	G 1 F - G 1 RN	2	24	-

### P91.0

**New**

Pair of ball shut-off valves. Red and blue handle, with female and union connections.

Working temperature range: **-20-120 °C**  
Max working pressure: **30 bar**



Code	Size	Knob colour			€
P91 020 N01 011 <b>NEW</b>	G 3/4 F - G 3/4 M	red/blu	10	20	-

### 39D

Ball shut-off valve with pump connection - male connection

Max working temperature: **95 °C**  
Max working pressure: **10 bar**



Code	Size	Knob colour			€
39D 020 000 R	G 1 1/2 RN - G 1 1/2 M	red	-	25	-

### 50D.M50

Ball shut-off valve with pump connection with possibility of temperature gauge integration - male connection

Max working temperature: **95 °C**  
Max working pressure: **10 bar**



Code	Size	Knob colour			€
50D M50 000 R	G 2 RN - G 2 M	red	-	25	-

### 38D.1T

Ball shut-off valve with pump connection with possibility of temperature gauge integration - DN 25 - female connection

Max working temperature: **95 °C**  
Max working pressure: **10 bar**



Code	Size	Knob colour			€
38D 025 000 1T	G 1 1/2 RN - G 1 F	red	-	16	-

### 39D.DN20

Ball shut-off valve with pump connection - male connection

Max working temperature: **95 °C**  
Max working pressure: **10 bar**



Code	Size	Knob colour			€
39D 020 000 1	G 1 RN - G 1 M	black	-	25	-



## P40

*Compact ball shut-off valve with pump connection and compression end*

Max working temperature: **95 °C**

Max working pressure: **6 bar**



Code	Size			€
P40 022 000	G 1 1/2 RN - 22 mm	6	48	-
P40 028 000	G 1 1/2 RN - 28 mm	6	48	-

## P41

*Compact ball shut-off valve with pump connection and female connection*

Max working temperature: **95 °C**

Max working pressure: **6 bar**



Code	Size			€
P41 025 000	G 1 1/2 RN - G 1 F	6	48	-

## P41.I2

*2 compact ball shut-off valves with pump connection and female connection*

Max working temperature: **95 °C**

Max working pressure: **6 bar**



Code	Size			€
P41 025 000 I2	G 1 1/2 RN - G 1 F	6	48	-

### W09

Drain cock with adjustable plastic hose connection (hose diameter lower than 11 mm)

Max working temperature: **80 °C**

Max working pressure: **4 bar**



Code	Size			€
W09 010 N00	G 3/8 M	30	600	-

### P59

Drain cock with adjustable plastic hose connection - with knob (hose diameter lower than 9 mm)

Max working temperature: **95 °C**

Max working pressure: **10 bar**



Code	Size			€
P59 008 N00	G 1/4 M	30	600	-
P59 010 N00	G 3/8 M	30	600	-

### W33

Drain cock with adjustable brass hose connection

Max working temperature: **95 °C**

Max working pressure: **10 bar**



Code	Size			€
W33 008 000 T	G 1/4 M - G 3/4 M	30	240	-

### P82

Drain ball cock - with hose connection and plug

Max working temperature: **95 °C**

Max working pressure: **16 bar**



Code	Size			€
P82 015 N00	G 1/2 M - G 3/4 M	10	40	-

### P32

Ball drain cock for solar thermal systems - with 15 mm hose connection and plug

Max working temperature: **150 °C**

Max working pressure: **16 bar**



Code	Size			€
P32 015 000	G 1/2 M	10	40	-

### 175.17

Brass hose connection

Max working temperature: **95 °C**



Code	Size			€
175 015 017 I	G 3/4 F	1	-	-

### 650

Plug with collar (code xxx xxx Nxx nickel-plated)

Max working temperature: **95 °C**



Code	Size			€
650 015 000	G 1/2 F	1	-	-
650 020 000	G 3/4 F	1	-	-
650 015 N00	G 1/2 F	1	-	-
650 020 N00	G 3/4 F	1	-	-

MONOBLOCS

# B10



	Ball	Filter	Single check valve	Double check valve	Check valve override	Pump connection	Drain/connections for bypass or air vent	Temperature gauge	Probe connection	Flow rate reducing valve	Pressure reducing valve	90° connections	Filling loop	Threaded connection	Compression ends
660F - 663F	○	○	○			○	○					○		○	○
P38	○	○	○							○		○			○
720F	○	○	○												
406	○	○	○							○					○
P37	○	○	○							○					○
700F	○	○													
407	○	○								○					○
37D.DN25	○		○		○	○	○	○						○	
07D	○		○		○	○	○	○						○	
37D.1	○		○		○	○		○						○	
37D.1T	○		○		○	○		○						○	
37D.DN32	○		○			○		○						○	

	Ball	Filter	Single check valve	Double check valve	Check valve override	Pump connection	Drain/connections for bypass or air vent	Temperature gauge	Probe connection	Flow rate reducing valve	Pressure reducing valve	90° connections	Filling loop	Threaded connection	Compression ends
06D	○		○			○		○						○	
01C	○			○			○								○
425	○			○			○						○		○
425U	○			○			○						○		○
800	○			○			○						○		○
803	○					○	○	○						○	
W10	○					○		○						○	
W10.1	○					○		○						○	
38D.DN25	○					○		○	○					○	
38D.DN32	○					○								○	
38D.1															
38D.2															
38D.1T															

## 700F

Monobloc "SUN" (ball shut-off valve + filter) - butterfly handle (on request: lever handle and nickel plated)

Max working temperature: **95 °C**

Max working pressure: **16 bar**



Code	Size	Knob colour			€
700 015 0B0 FA0	G 1/2 F	red	-	50	-
700 020 0B0 FA0	G 3/4 F	red	-	25	-
700 025 0B0 FA0	G 1 F	red	-	20	-

## 720F

Monobloc "MAGNUM" (ball shut-off valve + filter + check valve) - butterfly handle (on request: lever handle and nickel plated)

Max working temperature: **95 °C**

Max working pressure: **16 bar**



Code	Size	Knob colour			€
720 015 0B0 FA0	DN 15 - G 1/2 F	red	1	50	-
720 020 0B0 FA0	DN 20 - G 3/4 F	red	1	25	-
720 025 0B0 FA0	DN 25 - G 1 F	red	1	20	-

## 660F

90° monobloc (ball shut-off valve + filter + check valve) with removable running nut - female connection - air vent connection - butterfly handle - DZR brass - nickel plated

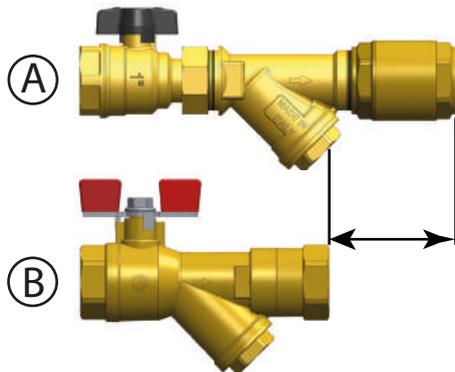
Max working temperature: **95 °C**

Max working pressure: **16 bar**



Code	Size	Knob colour		€
660 A10 NBS FLO	DN 10 - G 1/2 F - G 3/4 RN	red	50	-
660 A10 NBS FMO	DN 10 - G 1/2 F - G 3/4 RN	blue	50	-
660 A15 NBS FA0	DN 15 - G 1/2 F - G 3/4 RN	red	50	-
660 A15 NBS FBO	DN 15 - G 1/2 F - G 3/4 RN	blue	50	-
660 A20 NBS FA0	DN 20 - G 3/4 F - G 1 RN	red	25	-
660 A20 NBS FBO	DN 20 - G 3/4 F - G 1 RN	blue	25	-
660 A25 NBS FA0	DN 25 - G 1 F - G 1 1/4 RN	red	20	-
660 A25 NBS FBO	DN 25 - G 1 F - G 1 1/4 RN	blue	20	-

### A) Installation with single devices - B) Monobloc with the same functions



Advantages of the monoblocs: reduced installation space, less hydraulic connections to be made, faster installation.

## 38D.DN25

Monobloc with pump connection (ball shut-off valve + temperature gauge + 2 side connections) - temperature gauge 0-120 °C - DN 25

Max working temperature: **95 °C**  
Max working pressure: **10 bar**



Code	Size	Knob colour			€
38D 025 000	G 1 1/2 RN - G 1 F	red	-	16	-

## 38D.DN32

Monobloc with pump connection (ball shut-off valve + temperature gauge) - temperature gauge 0-120 °C - DN 32

Max working temperature: **95 °C**  
Max working pressure: **10 bar**



Code	Size	Knob colour			€
38D 032 000	G 2 RN - G 1 1/4 F	red	-	16	-

## 38D.1T

Ball shut-off valve with pump connection with possibility of temperature gauge integration - DN 25 - female connection

Max working temperature: **95 °C**  
Max working pressure: **10 bar**



Code	Size	Knob colour			€
38D 025 000 1T	G 1 1/2 RN - G 1 F	red	-	16	-

## 38D.1

Monobloc with pump connection (ball shut-off valve + temperature gauge) - temperature gauge 0-120 °C - DN 25

Max working temperature: **95 °C**  
Max working pressure: **10 bar**



Code	Size	Knob colour			€
38D 025 000 1	G 1 1/2 RN - G 1 F	red	-	16	-

## 38D.2

Monobloc with pump connection (ball shut-off valve + temperature gauge + probe connection) - temperature gauge 0-120 °C - DN 25

Max working temperature: **95 °C**  
Max working pressure: **10 bar**



Code	Size	Knob colour			€
38D 025 000 2	G 1 1/2 RN - G 1 F	red	-	16	-

## 37D.DN25

Monobloc with pump connection (ball shut-off valve + temperature gauge + 2 side connections + check valve + check valve override) - temperature gauge 0–120 °C - DN 25

Max working temperature: **95 °C**

Max working pressure: **10 bar**



Code	Size	Knob colour			€
37D 025 000	G 1 F - G 1 1/2 RN	blue	-	16	-

## 37D.1

Monobloc with pump connection (ball shut-off valve + temperature gauge + check valve + check valve override) - temperature gauge 0–120 °C - DN 25

Max working temperature: **95 °C**

Max working pressure: **10 bar**



Code	Size	Knob colour			€
37D 025 000 1	G 1 F - G 1 1/2 RN	blue	-	16	-

## 37D.DN32

Monobloc with pump connection (ball shut-off valve + temperature gauge + check valve) - temperature gauge 0–120 °C - DN 32

Max working temperature: **95 °C**

Max working pressure: **10 bar**



Code	Size	Knob colour			€
37D 032 000	G 1 1/4 F - G 2 RN	blue	-	16	-

## 06D

Monobloc with pump connection (ball shut-off valve + temperature gauge + check valve + holes for brackets) - temperature gauge 0–160 °C (32–320 °F) - red knob

Max working temperature: **140 °C**

Max working pressure: **10 bar**



Code	Size	Knob colour			€
06D 020 000 R	G 3/4 F - G 1 RN	red	-	24	-

## 37D.1T

Monobloc with pump connection (ball shut-off valve + check valve + check valve override) - with possibility of temperature gauge integration - DN 25

Max working temperature: **95 °C**

Max working pressure: **10 bar**



Code	Size	Knob colour			€
37D 025 000 1T	G 1 F - G 1 1/2 RN	blue	-	16	-

## 07D

Monobloc with pump connection (ball shut-off valve + temperature gauge + check valve + holes for brackets + check valve override + side connection) - temperature gauge 0–160 °C (32–320 °F) - blue handle

Max working temperature: **140 °C**

Max working pressure: **10 bar**



Code	Size	Knob colour			€
07D 020 000	G 1 RN - G 3/4 F	blue	-	24	-



NUMBER OF PIECES IN BOX



NUMBER OF PIECES IN CARTON



ARTICLE THE BEST SELLER



NEW ARTICLE



## P99

Monobloc (double ball shut-off valve + check valve) with intermediate pressure test port connection - compression ends - DZR brass



Max working temperature: **95 °C**

Max working pressure: **10 bar**

Code	Size			€
P99 A15 000	DN 10 - 15 mm	12	72	-

## 425

"SIRIO" monobloc (ball shut-off valve + double check valve) with intermediate pressure test port connection - compression ends - DZR brass - nickel plated



Max working temperature: **85 °C**

WRAS certification



Code	Size	Knob colour	P [bar]	DN			€
425 A10 N00	DN 8 - 15 mm	black	8	8	-	150	-
425 A15 N00	DN 10 - 15 mm	black	10	10	-	100	-

## 800

Filling loop complete with ball shut-off valve + flexible pipe 400 mm + double check valve - nickel plated



Max working temperature: **95 °C**

Max working pressure: **10 bar**

Code	Size	DN			€
800 015 000	DN 10 - 15 mm	10	-	50	-

## W10.1

Filling loop complete with ball shut-off valve with handle + flexible pipe 400 mm + monobloc "SIRIO" - nickel plated



Max working temperature: **85 °C**

Code	Size	Knob colour	P [bar]	DN			€
W10 010 N00 1	DN 8 - 15 mm	black	8	8	-	40	-
W10 015 N00 1	DN 10 - 15 mm	black	10	10	-	40	-



## FITTINGS

# B11



## V58

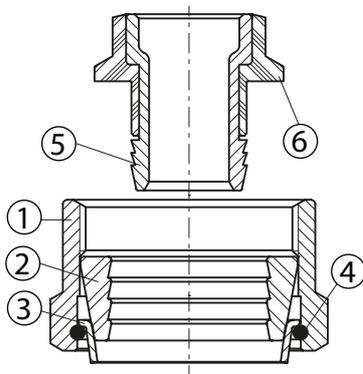
Compression fitting for PEX and multilayer pipes. For heating and cooling circuits. Other sizes available on request.

Tightening torque: **15–20 N·m**  
 Max working temperature: **90 °C**  
 Max working pressure: **10 bar**



Code	Size	Pipe [mm]			€
V58 034 NEA	G 3/4 F	16x2	10	-	-
V58 034 NFA	G 3/4 F	17x2	10	-	-
V58 034 NHB	G 3/4 F	20x2,25	10	-	-

### Fitting V58



Advantages and characteristics of V58 fittings for multilayer and PEX pipes:

- Composed of two parts only: nut and reinforcing insert
- NBR gasket coupled to the reinforcing insert
- Pipe anti-torsion ring. The nut contains an elastic ring with a function similar to a ball bearing: when screwing the nut, the elastic ring avoids the pipe torsion thus making the installation easier and faster. The installation can be performed using one hand only.

- Components:

- 1) Nickel plated nut
- 2) Nylon bush
- 3) Steel pressing ring
- 4) Stainless steel anti-torsion elastic ring
- 5) Brass reinforcing insert
- 6) NBR gasket

## P93

Fitting with running nut and flat gasket

Max working temperature: **100 °C**  
 Max working pressure: **25 bar**



Code	Size			€
P93 015 000	G 1/2 M - G 3/4 RN	20	80	-
P93 020 000	G 3/4 M - G 1 RN	16	64	-
P93 025 000	G 1 M - G 1 1/4 RN	8	64	-
P93 032 000	G 1 1/4 M - G 1 1/2 RN	4	32	-

## P93.N

Fitting with running nut and flat gasket - nickel plated

Max working temperature: **100 °C**  
 Max working pressure: **25 bar**



Code	Size			€
P93 015 N00	G 1/2 M - G 3/4 RN	20	80	-
P93 020 N00	G 3/4 M - G 1 RN	16	64	-
P93 025 N00	G 1 M - G 1 1/4 RN	8	64	-
P93 032 N00	G 1 1/4 M - G 1 1/2 RN	4	32	-

## Y77.2

Fitting with running nut and flat gasket - M and F connection of the same size

Max working temperature: **110 °C**  
 Max working pressure: **16 bar**



Code	Size	Kv			€
Y77 A20 000 2	G 3/4 M - G 3/4 RN	10	20	80	-
Y77 A25 000 2	G 1 M - G 1 RN	14	20	80	-

## 16B.N

MM running fitting with integrated O-Ring - nickel plated

Max working temperature: **95 °C**  
 Max working pressure: **10 bar**



Code	Size			€
16B 025 N00 1	G 3/4 M - G 1 M	25	100	-

## 44D.DN25

2 female fittings (tailpieces and nuts) with flat gasket - DN 25

Max working temperature: **90 °C**  
Max working pressure: **10 bar**



Code	Size			€
44D 025 000	G 1 F - G 1 1/2 RN	2	50	-

## V38.P

2 fittings FM with flat gaskets to adapt 130 mm centre distance pumps to 180 mm centre distance

Max working temperature: **100 °C**  
Max working pressure: **10 bar**



Code	Size			€
V38 040 000 10	G 1 F - G 1 1/2 M	2	-	-
V38 040 000 11	G 1 1/2 F - G 1 1/2 M	2	-	-

## V35

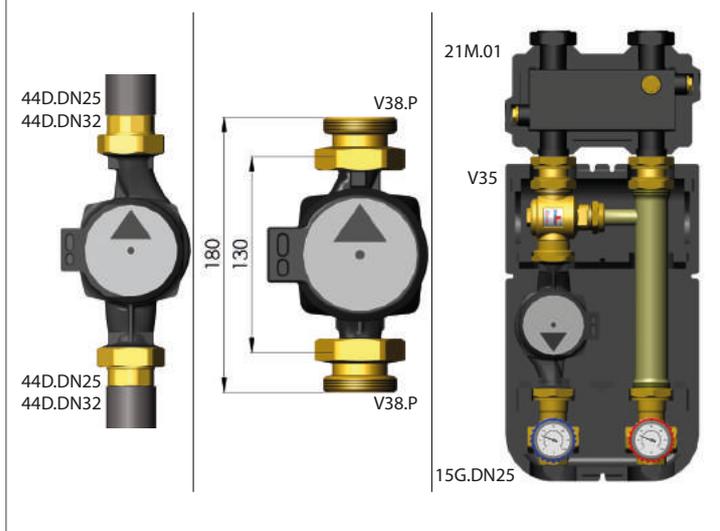
Fitting kit with G 1 1/2 RN x G 1 1/2 RN running nuts, plug and flat gasket.

Max working temperature: **90 °C**  
Max working pressure: **10 bar**



Code	Size			€
V35 040 000 I	G 1 1/2 RN x G 1 1/2 RN	2	-	-

### Use of fittings 44D.DN25 or 44D.DN32, V38P, V35



## 44D.DN32

2 female fittings (tailpieces and nuts) with flat gasket - DN 32

Max working temperature: **90 °C**  
Max working pressure: **10 bar**



Code	Size			€
44D 032 000	G 1 1/4 F - G 2 RN	2	-	-

## V38.09

Fitting F with running nut and flat gaskets

Max working temperature: **100 °C**  
Max working pressure: **10 bar**



Code	Size			€
V38 025 000 09	G 1 F - G 1 1/2 RN	-	-	-

## 036.7

Hexagonal removable running nut

Max working temperature: **140 °C**



Code	Size			€
036 020 007	G 3/4 RN	-	400	-
036 025 007	G 1 RN	-	400	-
036 032 007	G 1 1/4 RN	-	300	-
036 040 007	G 1 1/2 RN	-	250	-
036 050 007	G 2 RN	-	200	-

## 12D

Fitting G 3/4 M with compression end, with assembled nut, olive and O-Ring (codes "XXX XXX XXX M" without compression fitting)

Max working temperature: **140 °C**  
Max working pressure: **16 bar**



Code	Size			€
12D 015 000	15 mm - G 3/4 M	2	-	-
12D 015 000 M	G 1/2 M - G 3/4 M	2	-	-
12D 018 000	18 mm - G 3/4 M	2	-	-
12D 020 000 M	G 3/4 M - G 3/4 M	2	-	-
12D 022 000	22 mm - G 3/4 M	2	-	-
12D 025 000 M	G 1 M - G 3/4 M	2	-	-

## V38.07

Fitting FM with flat gasket

Max working temperature: **100 °C**

Max working pressure: **16 bar**



Code	Size			€
V38 025 000 07	G 1 F - G 1 1/2 M	-	-	-

## 055.P

Nylon plug with O-Ring

Max working temperature: **95 °C**



Code	Size			€
055 008 002 P01	G 1/4 M	-	-	-

## 175.17

Brass hose connection

Max working temperature: **95 °C**



Code	Size			€
175 015 017 I	G 3/4 F	1	-	-

## 650

Plug with collar (code xxx xxx Nxx nickel-plated)

Max working temperature: **95 °C**



Code	Size			€
650 015 000	G 1/2 F	1	-	-
650 020 000	G 3/4 F	1	-	-
650 015 N00	G 1/2 F	1	-	-
650 020 N00	G 3/4 F	1	-	-

## 541

Fitting with running nut and flat gasket - side holes for metering device sealing

Max working temperature: **90 °C**



Code	Size	P [bar]			€
541 015 000	G 1/2 M - G 3/4 RN	16	14	56	-
541 020 000	G 3/4 M - G 1 RN	16	14	56	-
541 025 000	G 1 M - G 1 1/4 RN	10	8	64	-
541 032 000	G 1 1/4 M - G 1 1/2 RN	10	6	24	-
541 040 000	G 1 1/2 M - G 2 RN	8	4	16	-
541 050 000	G 2 M - G 2 1/2 RN	8	2	16	-

## 036.TI

Plug G 1 1/2 F with gasket.

Max working temperature: **90 °C**

Max working pressure: **10 bar**



Code	Size			€
036 040 007 TI	G 1 1/2 F	2	-	-

## V36.I2

2 adapter fittings between DN 25 groups and DN 32 manifolds - flat gasket

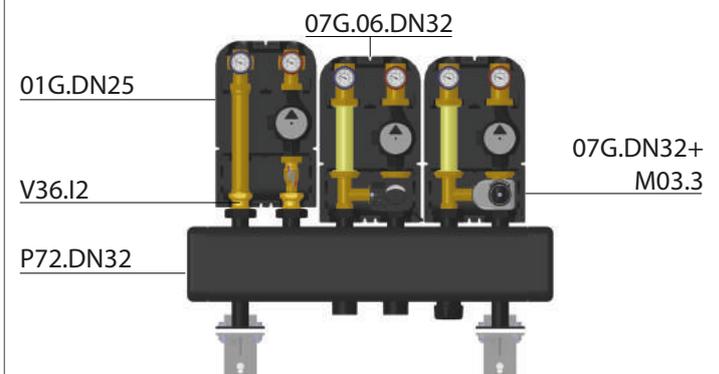
Max working temperature: **110 °C**

Max working pressure: **10 bar**



Code	Size			€
V36 050 000 I2	G 2 M - G 1 1/2 F	2	-	-

Connection of a DN 25 group to the P72.DN32 manifold by means of the V36.I2 fittings



## 40D.DN20

Extension with flat seat, connection distance 210 mm

Max working temperature: **140 °C**  
Max working pressure: **10 bar**



Code	Size			€
40D 025 000	G 1 M - 210 mm	-	16	-

## 40D.1.DN20

Extension with flat seat, connection distance 130 mm

Max working temperature: **140 °C**  
Max working pressure: **10 bar**



Code	Size			€
40D 025 001	G 1 M - 130 mm	-	16	-

## 40D

Extension with flat seat, connection distance 272 mm

Max working temperature: **140 °C**  
Max working pressure: **10 bar**



Code	Size			€
40D 040 000	G 1 1/2 M - 272 mm	-	16	-

## 40D.DN32

Extension with flat seat, connection distance 280 mm

Max working temperature: **140 °C**  
Max working pressure: **10 bar**



Code	Size			€
40D 050 000	G 2 M - 280 mm	-	-	-

## 40D.2

Extension with flat seat, connection distance 180 mm

Max working temperature: **140 °C**  
Max working pressure: **10 bar**



Code	Size			€
40D 040 000 2	G 1 1/2 M - 180 mm	-	16	-

## 40D.2.DN32

Extension with flat seat, connection distance 180 mm

Max working temperature: **140 °C**  
Max working pressure: **10 bar**



Code	Size			€
40D 050 002	G 2 M - 180 mm	-	-	-

## 40D.L

L-extension with flat seat, connection distance 272 mm

Max working temperature: **140 °C**  
Max working pressure: **10 bar**



Code	Size			€
40D 040 000 L	G 1 1/2 M - G 1 RN - 272 mm	-	16	-

## 40D.C

Extension with flat seat for 110 and 130 mm energy metering devices, connection distance 180 mm

Max working temperature: **140 °C**  
Max working pressure: **10 bar**



Code	Size			€
40D 020 000	G 1 1/2 M - 180 mm	-	-	-

## V38.05

Kit with Y fitting and immersion probe pocket

Max working temperature: **95 °C**

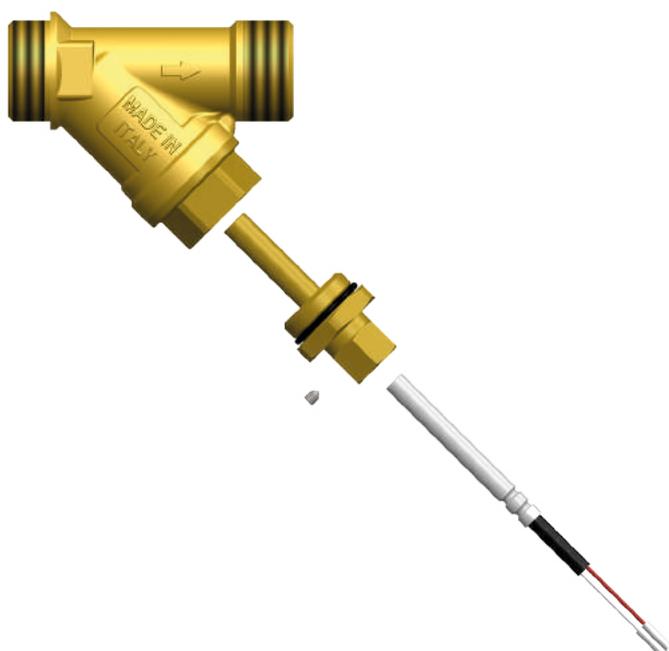
Max working pressure: **16 bar**

Probe diameter: **6 mm**



Code	Size			€
V38 020 000 05	G 3/4 M	2	-	-
V38 025 000 05	G 1 M	2	-	-

Fitting V38.05 with pocket specific for immersion probe



## 575

Fiber gasket

Max working temperature: **60 °C**



Code	Size			€
575 020 000	24,2 - 18 - 2	-	-	-
575 025 000	30 - 21 - 3	-	-	-
575 032 000	39 - 25 - 2	-	-	-
575 040 000	45 - 33,3 - 2	-	-	-
575 050 000	56,5 - 41 - 2	-	-	-

## P23

Brass Y fitting - MM - complete with threaded G 1/2 probe holder plug. With flat seat for installation in box.

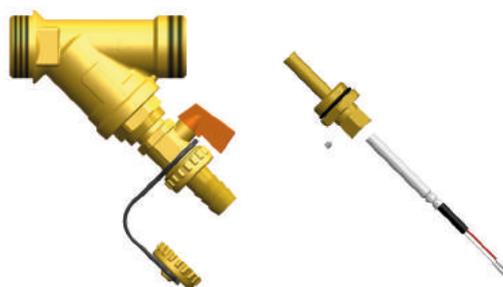
Max working temperature: **95 °C**

Max working pressure: **16 bar**



Code	Size			€
P23 015 000	G 1/2 M	20	160	-
P23 020 000	G 3/4 M	14	84	-
P23 025 000	G 1 M	10	60	-
P23 032 000	G 1 1/4 M	5	20	-

Coupling of P23 fitting to P32 cock or P28.14 pocket



## P32

Ball drain cock for solar thermal systems - with 15 mm hose connection and plug

Max working temperature: **150 °C**

Max working pressure: **16 bar**



Code	Size			€
P32 015 000	G 1/2 M	10	40	-

## P28.14

Immersion probe pocket - seal on fitting

Max working temperature: **95 °C**

Max working pressure: **16 bar**

Probe diameter: **6 mm**



Code	Size			€
P28 015 000 I4	G 1/2 M	10	50	-





# NOTES



01A.25	50	18D	100	40D.DN20	49, 155
01A.40	92	18D.1	100	40D.DN32	80, 155
01G.DN20	46	19G.DN32	75	40D.L	70, 155
01G.DN25	53	020	123	41D	33, 49, 64, 77
01G.DN32	74	20AK.DN25	72	42D.DN20	47
01S	96	20G.DN25	60	42D.DN25	72
02C.10	62	020K	123	42D.DN32	80
02C.HE	62	020KV	101, 123	43D.DN20	50
02D-31D	101	20M.01	66	43D.DN25	72
02G.DN20	46	21M.01	66	43D.DN32	81
02G.DN25	54	22AK	102	44D.DN25	70, 153
03D	99	22M.01	66	44D.DN32	79, 153
03G.DN25-05G.DN25	57	23G.DN25	53	045	128
04AK.65	102	024	127	049	138
04AK.70	102	24AK.DN32	81	049.1	138
04D	99	24G.DN25	55	050	138
005	122	025	127	050.2	138
05A.DN25	73	25AK.DN20	50	50D.M50	79, 142
05A.DN32	81	25G.DN25	56	51D	33, 64, 77
05B	90, 119	27B.N	82	51D.DN20	33, 49
05BI	91	028	128	52D	64
005K	122	28AK.DN25	72	52D025.01	68
005KV	101, 122	28B.N	86	52D025.02	68
05S	98	28S-27S	97	52D025.03	68
006	124	029	126	52D032.01	79
06D	100, 149	29A.25	50	52D032.02	79
006KV	124	29A.40	92	52D.DN20	49
06M	88	29B.N	85	053A	138
007	124	030	128	53D.S.DN20	49
07B.N	87	30A	72	53D.S.DN25	72
07D	100, 149	30B.N	84	055	132
07G.04.DN20	46	30D	100	055.P	154
07G.06.DN32	74	31AK	92	060	129
07G.DN20	47	31G.DN25	53	61G.DN20	44
07G.DN25-09G.DN25	56	32G.DN25	54	62G.DN20	45
07G.DN32	74	33D	99	63G.DN20	44
007KV	124	33G.DN25-35G.DN25	57	64G.4.DN20	44
07M	88	34D	99	67G.4.DN20	45
07S	96	035	131	080	129
008	125	036	131	99B	82, 84, 85
008KV	125	036.7	153	99B.03	86
08M	88	036.TI	70, 154	125	129
09S-12S	97	37D.1	69, 149	130	130
010	126	37D.1T	69, 149	135	125
11D.120	72, 80	37D.DN20.1	50	153	128
11D.160	101	37D.DN25	69, 149	172	131
12D	98, 153	37D.DN32	79, 149	173	131
014	126	37G.DN25-39G.DN25	56	175.17	144, 154
14D	102	38D.1	68, 148	178	130
14D.2	72, 92, 102	38D.1T	68, 142, 148	179	130
14D.3	102	38D.2	69, 148	191	132
14D.4	99	38D.DN20.1	50	191.2	132
14D.5	50, 73, 92	38D.DN25	68, 148	192	131
14D.6	99	38D.DN32	79, 148	195	132
14D.10	37, 48, 58, 76	38G.14.DN25	62	215-219	142
015	126	39D	69, 142	217-221	142
15D	99	39D.DN20	50, 142	425	150
15G.DN25	60	040	128	440.I	33, 69, 80
16B.N	91, 152	40D	70, 155	441.I	31
16M	88	40D.1.DN20	49, 155	450	31
17AK.DN32	81	40D.2	70, 155	451	31
17B.N-17B.1.N	87	40D.2.DN32	80, 155	460	30
18B.N-18B.1.N	87	40D.C	70, 155	460.1	35



# INDEX

461	30	P59	144	V71.B	137
541	154	P60	119	V72.P	135
575	156	P71	100, 119	V73.D	136
615	65	P72.DN20	47	V73.P	136
616	65	P72.DN25	66	V82.W.2PM	109
617.1.N	91	P72.DN32	78	V82.W.ARPM	113
630.1.2.N	20, 90	P73.DN25	66	V83.W.2PM	110
630.3	64	P73.DN32	78	V83.W.ARPM	114
630.4	49	P74	66	W09	144
630.10.T	20	P74.DN20	47	W10.1	150
630.101.N	20, 90	P82	144	W33	144
630.103	64	P83	90, 119	Y47	118
630.104	49	P87	39	Y47L	118
630.T	20	P88	38	Y47.N	91, 118
650	144, 154	P90	142	Y70	118
660F	147	P90.1	90	Y77	130
700F	147	P91.0	90, 142	Y77.2	26, 152
720F	147	P93	114, 110, 19, 26, 31, 152		
800	150	P93.N	116, 152		
M01.K	39	P94.L1	116		
M02	116	P99	150		
M03.2	36	V07.AA	16		
M03.3	36, 48, 58, 76	V07.AA.L2	16		
M03.4	35	V07.AB	16		
M03.21	34	V07.AB.L2	16		
M03.K	36, 48, 58, 76	V07.BA	17		
M04	37, 48, 59, 77	V07.BA.L2	17		
M04.K	37, 48, 58, 76	V07.BB	17		
M07.3QK	39	V07.BB.L2	17		
M07.K	39	V13	24		
M10.02P.2VM	109	V13.5R	24		
M10.02P.3VM	110	V13.L1	24		
M10.ARP.2VM	113	V14	25		
M10.ARP.3VM	114	V14.1	25, 65		
M20.C	89	V14.5R	25		
P04	21, 103	V14.L1	25		
P04.L2	21, 103	V16	22		
P05	21, 103	V16.L2	22		
P05.L2	21, 103	V17	18		
P10	18	V17.L2	18		
P10.L2	18	V20	23, 104		
P11	18	V20.1	23, 104		
P11.L2	18	V20.L1	23, 104		
P21	139	V20.L2	23, 104		
P22	139	V34.DN25	66		
P23	156	V35	70, 153		
P27T2	37, 48, 58, 76	V36.I2	79, 154		
P28.I4	40, 71, 80, 139, 156	V38.02	22		
P29	91	V38.03	19, 22		
P30	91	V38.04	19, 22		
P32	101, 144, 156	V38.05	40, 71, 80, 156		
P33	130	V38.07	154		
P34	130	V38.09	153		
P39	91	V38.14	89		
P40	143	V38.P	70, 153		
P41	143	V39	127		
P41.I2	143	V50	31		
P51	38	V52	32		
P52	38	V53	32		
P56	118	V55	34		
P57	118	V58	89, 152		
P57L	118	V60	30		
P58	119	V70	137		



CA2122r0-EN

© Copyright 2021 Barberi



RUBINETTERIE INDUSTRIALI s.r.l.

 [Barberi Rubinetterie Industriali S.r.l.](#)

 [@barberi.italy](#)

 [@barberi.italy](#)

 [barberi.it](#)

 [barberi@barberi.it](mailto:barberi@barberi.it)

 +39 0163 48284

 Via Monte Fenera 7, 13018 Valduggia (VC) - Italy